

# Towel Bar Hook™ Technical Specification

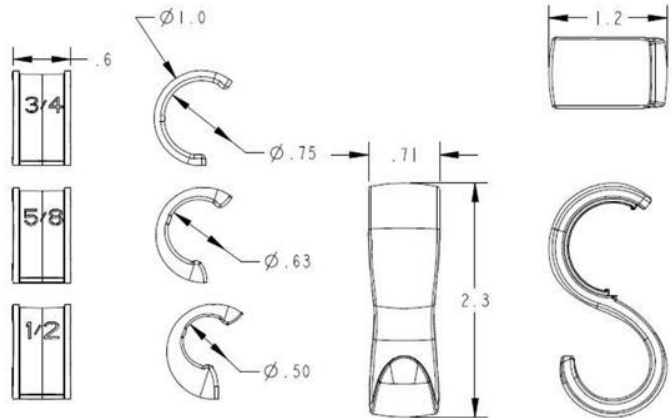
## Towel Bar Hook

## DN9203

### Stock Numbers:

- ❑ **DN9203BN – Towel Bar Hook**  
Brushed Nickel Finish
- ❑ **DN9203CH– Towel Bar Hook**  
Chrome Finish
- ❑ **DN9203OWB – Towel Bar Hook**  
Old World Bronze Finish

### Dimensions:



### Materials:

**Hook:** Zinc

**Rubber Insert:** Thermal Plastic  
Rubber

### Installation Instructions:

1. Find the appropriate size (diameter) of your bar
2. Locate the rubber insert according to the size of your bar
3. Place the rubber insert as shown above
4. Place hook on towel bar and press until it snaps

### Cleaning Instructions:

To preserve the fine finish of this product, clean only with a soft damp cloth. Dry well. Do not use commercial or abrasive cleaners.

**Stock Number:** \_\_\_\_\_ Towel Bar Hook  
By Creative Specialties

25300 AL MOEN DRIVE • NORTH OLMS TED, OH 44070  
CORPORATE HEADQUARTERS: (800) 321-8809 • FAX: (800) 848-6636  
INTERNATIONAL: (440) 962-2000 • FAX: (440) 962-2145  
CUSTOMER SERVICE (USA): 800-882-0116 • FAX: (888) 379-2720  
WWW.MOEN.COM

©Copyright Creative Specialties International

Literature # BA1520