

Stockton Technical Specification

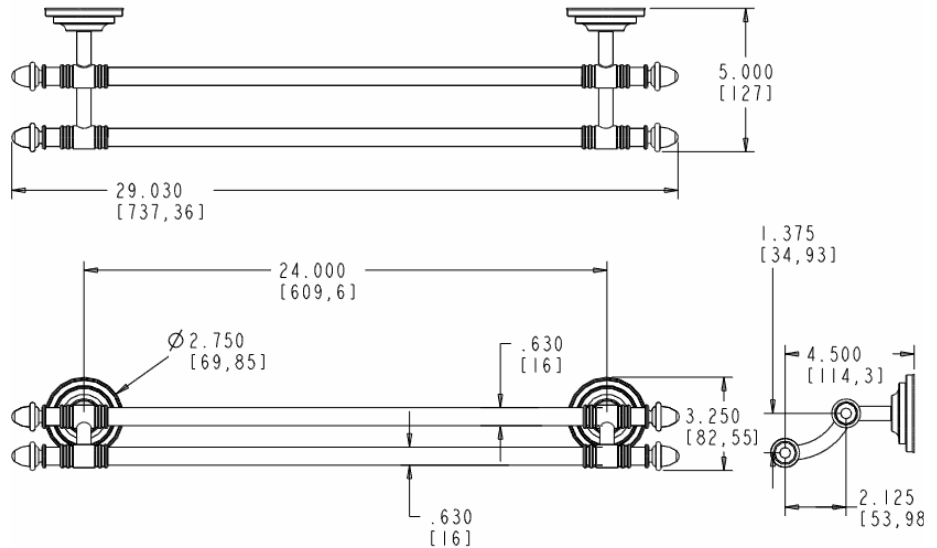
Double Towel Bar

DN4122

Stock Numbers:

- q DN4122CH – Double Towel Bar
Chrome Finish
- q DN4122BN – Double Towel Bar
Brushed Nickel Finish

Dimensions:



Materials:

Double Towel bar posts are constructed of zinc. Bars are brass.

Installation Instructions:

1. Position the mounting template on the wall in the desired location. Using a level, align the template and tape it to the wall.
2. Place each mounting plate on the template.
3. One at a time, place each anchor screw through the mounting plate, centered in the large hole. Using a Phillips screwdriver, turn the anchor screw while applying pressure. Screw will self drill and tap into drywall.
4. Only insert screw $\frac{1}{2}$ to $\frac{3}{4}$ into wall.
5. After all screws are installed, tear the template away from the wall
6. Tighten all 4 the screws. Do not over tighten.
7. Assemble the Towel bar and posts.
8. While assembled, Position each end post with the setscrew down and place over mounting plate. Tighten the setscrew at the bottom of each base.

Cleaning Instructions:

To preserve the fine finish of this product, clean only with a soft damp cloth. Dry well. Do not use commercial or abrasive cleaners.

Stock Number: _____ Double Towel Bar
By CSI Bath Furnishings



25300 AL MOEN DRIVE • NORTH OLMS TED, OH 44070 (800) 321-8809 •
FAX: (800) 848-6636 • INTERNATIONAL: (440) 962-2000 •

FAX: (440) 962-2726 CUSTOMER SERVICE (USA): 800-882-0116

©Copyright CSI Bath Furnishing Division of Moen 02/22/01

Literature #BA1154