

Icon Technical Specification

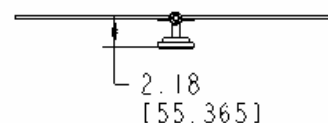
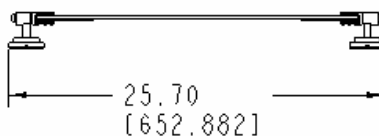
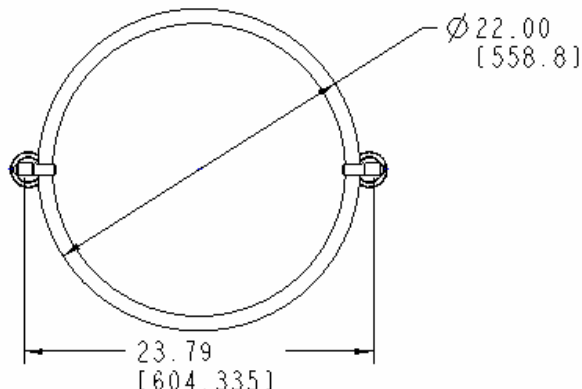
Round Mirror

DN0792

Stock Numbers:

- q **DN0792CH –Round Mirror**
Chrome Finish

Dimensions:



Materials:

Round Mirror brackets are constructed of zinc and mirror is constructed of glass.

Installation Instructions:

Directions below are for installation into drywall. If installing product into a stud, use the wood screws and washers provided only.

1. Position the mounting template on the wall in the desired location.
2. Using a level, align the template and tape it to the wall.
3. Drill two three 5/16" holes as indicated on template
4. Remove the template from the wall.
5. Fold ends of the plastic toggle together and insert into each hole in the wall.
6. Lightly tap anchors until flush with the wall.
7. One at a time, insert plastic pin into each of the anchors and lightly tap to activate anchor. Remove pin and repeat on all anchors.
8. Mount mirror brackets to wall by inserting screws through the holes in the brackets into the anchors.
9. Place mirror into the bottom bracket and rotate into place behind the top bracket.

Cleaning Instructions:

To preserve the fine finish of this product, clean only with a soft damp cloth. Dry well. Do not use commercial or abrasive cleaners.

Stock Number: _____ **Oval Mirror**
By Creative Specialties



25300 AL MOEN DRIVE • NORTH OLMSTED, OH 44070
CORPORATE HEADQUARTERS: (800) 321-8809 • FAX: (800) 848-6636
INTERNATIONAL: (440) 962-2000 • FAX: (440) 962-2726
CUSTOMER SERVICE (USA): 800-882-0116 • FAX: (888) 379-2720
WWW.CSI.MOEN.COM

©Copyright Creative Specialties International

Literature #BA1405