

# Home Care Technical Specification

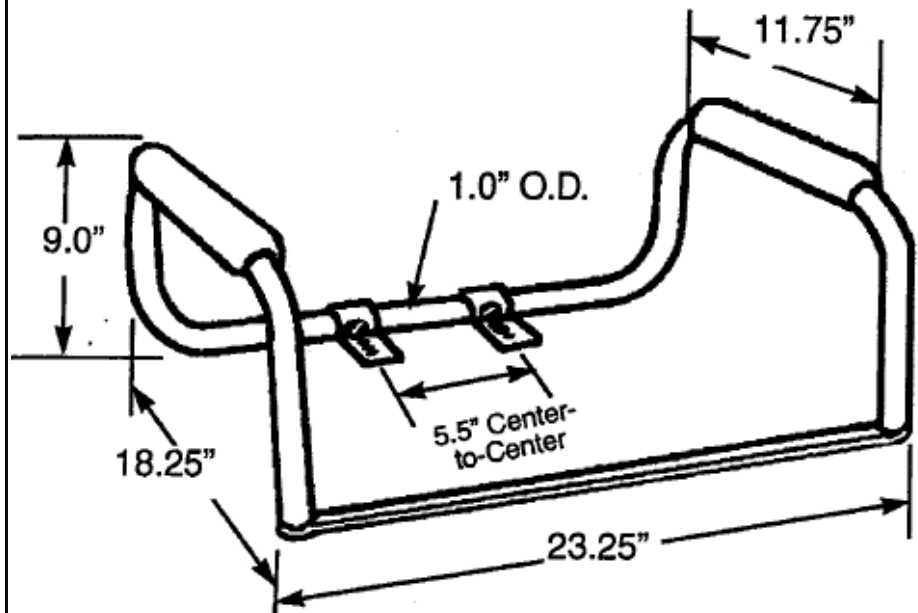
## Toilet Safety Rail

# DN7015

### Stock Numbers:

- **DN7015 – Toilet Safety Rail**  
White  
Photo Box Packaging with Handle

### Dimensions:



### Materials:

ASSEMBLY TESTED  
TO CONFIRM ADA  
COMPLIANCE



**Toilet Safety Rail** is made from anodized aluminum with a powder coated white finish. Armrests are high impact molded white polyethylene.

#### WARNING

**TO PREVENT SERIOUS OR FATAL INJURY:** Insure product is assembled, adjusted and used properly. **FOR USE ONLY BY PERSONS WEIGHING LESS THAN 250 POUNDS.** Failure to follow correct installation procedures can cause the rail to become loose. Check after installation to make sure rail is secure, and check periodically to be sure rail remains secure. For use only to assist in balance while entering and exiting tub. Contact CSI immediately at 1-800-882-0116 if any components are missing or damaged. Do not modify or substitute any components. **FOR QUESTIONS OR ASSISTANCE WITH ASSEMBLY CONTACT CSI AT 1-800-882-0116.** Consult healthcare professional for advice and instructions specific to user's needs before use.

### Installation Instructions:

1. Attach rails, one at a time, to back center piece with brackets facing forward.
2. Connect flat bar to the front by fastening to open ends of rails with 1" slotted screws provided.
3. Remove toilet seat. Unscrew toilet seat bolts nuts at the rear underside of toilet bowl. Remove bolts, seat and lid.
4. Place assembled toilet safety rail directly on toilet bowl with flat bar to the front. Adjust so that there is a minimum of one inch from the flat bar to front of the bowl.
5. Place toilet lid and seat in position over toilet safety rail so that mounting holes of seat, safety rail and toilet are aligned. Insert existing toilet seat bolts and tighten bolt nuts.
6. Ensure that bolt is securely fastened into the nut.

**Stock Number:** \_\_\_\_\_ Toilet Safety Rail  
By Creative Specialties



25300 AL MOEN DRIVE • NORTH OLMSTED, OH 44070  
CORPORATE HEADQUARTERS: (800) 321-8809 • FAX: (800) 848-6636  
INTERNATIONAL: (440) 962-2000 • FAX: (440) 962-2726  
CUSTOMER SERVICE (USA): 800-882-0116 • FAX: (888) 379-2720  
WWW.MOEN.COM

©Copyright Creative Specialties International

Literature # BA1389