

Iso Technical Specification

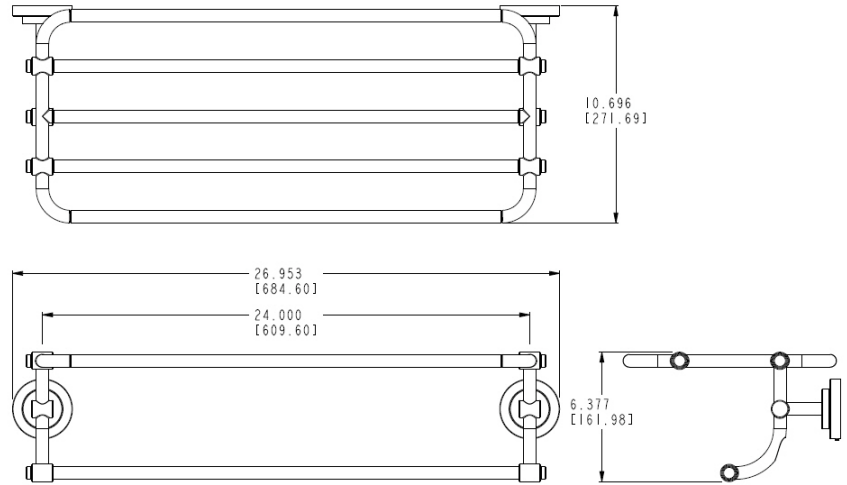
Hotel Shelf

DN0794

Stock Numbers:

- q DN0794CH – Hotel Shelf
Chrome Finish
- q DN0794BN – Hotel Shelf
Brushed Nickel Finish

Dimensions:



Materials:

Hotel Shelf posts are constructed of zinc. Bar is aluminum.

Installation Instructions:

1. Remove the mounting post from the body by loosening the setscrew.
2. Position the mounting template on the wall in the desired location. Using a level, align the template and tape it to the wall.
3. Place each mounting post on the template.
4. Drill pilot holes in marked location, remove template from wall
5. Attach mounting post to wall using anchors in predrilled pilot holes
6. Tighten all screws.
7. Place each post over the mounting plate with setscrew down. Tighten both setscrews.

Cleaning Instructions:

To preserve the fine finish of this product, clean only with a soft damp cloth. Dry well. Do not use commercial or abrasive cleaners.

Stock Number: _____ Hotel Shelf
By Creative Specialties



25300 AL MOEN DRIVE • NORTH OLMSTED, OH 44070
CORPORATE HEADQUARTERS: (800) 321-8809 • FAX: (800) 848-6636
INTERNATIONAL: (440) 962-2000 • FAX: (440) 962-2726
CUSTOMER SERVICE (USA): 800-882-0116 • FAX: (888) 379-2720
WWW.CSI.MOEN.COM

©Copyright Creative Specialties International

Literature #BA1481