



Buy it for looks. Buy it for life.®

Specifications

FAUCET DESCRIPTION

- Metal and plastic construction with various finishes identified by suffix
- 1/2" IPS connections
- Includes Protégé side spray
- Hydrolock® quick connect installation

OPERATION

- Lever style handle
- Maximum handle rotation angle is 90° to full on either handle
- Rotating hot side counterclockwise to open and clockwise to close
- Rotating cold side clockwise to open and counterclockwise to close

FLOW

- Aerator is limited to 2.2 gpm max (8.3 L/min)

CARTRIDGE

- 1224 cartridge design
- Nonmetallic and stainless material

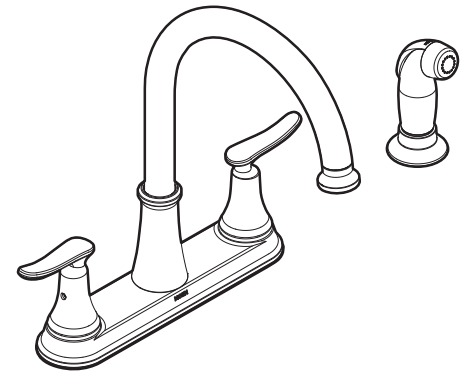
STANDARDS

- Third party certified to CSA B-125.1, ASME A112.18.1, ICC A117.1 and all applicable requirements referenced therein
- Certified to ANSI/NSF 61/9
- Contains no more than 0.25% weighted average lead content
- Complies with California Proposition 65 and with the Federal Safe Drinking Water Act

- **ADA**  for lever handle

WARRANTY

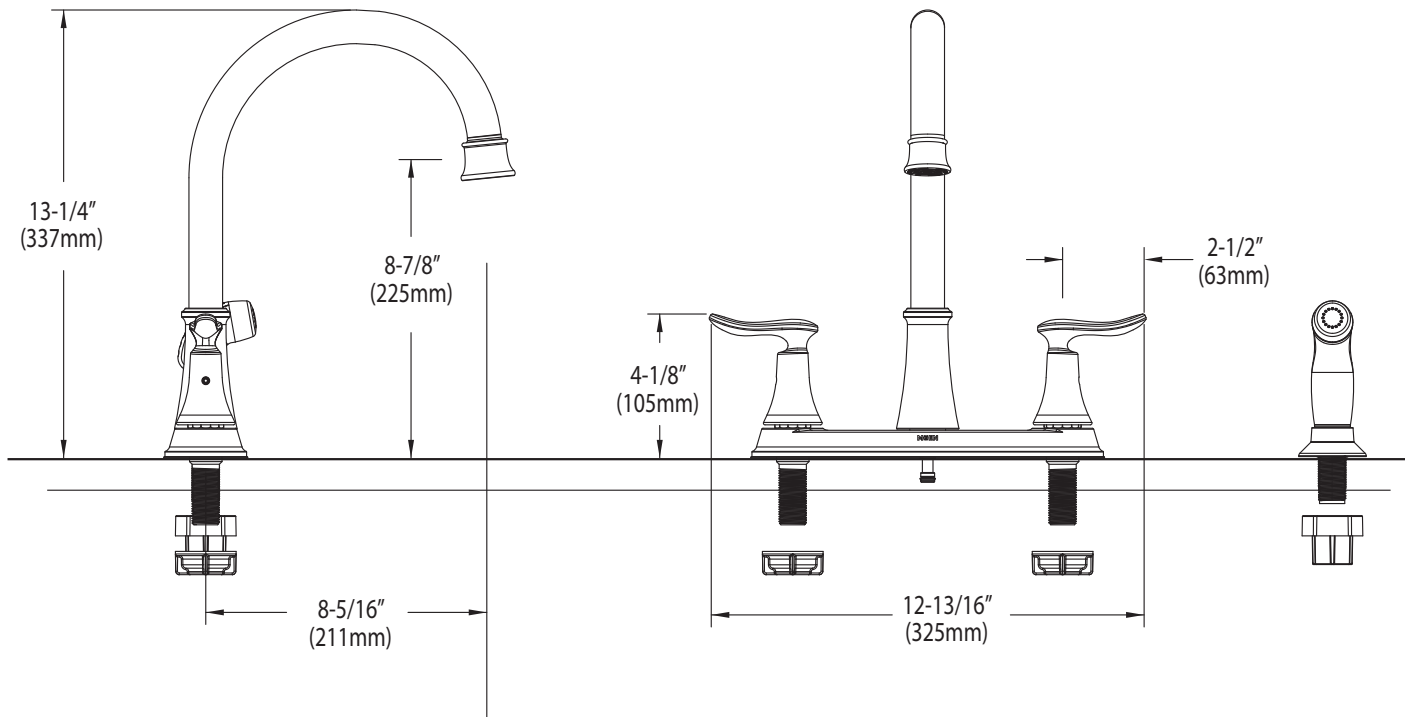
- Lifetime limited warranty against leaks, drips and finish defects to the original consumer purchaser
- 5 year warranty if used in commercial installations



Solidad™ Two-Handle Lever Style Kitchen Faucet with Protégé Side Spray

Models: CA87015 series

NOTE: DESIGNED TO INSTALL THROUGH
4 HOLES 1-1/4" (32mm) MIN. DIA. AND
4" (102mm) ON CENTER



CRITICAL DIMENSIONS

(DO NOT SCALE)

FOR MORE INFORMATION CALL: 1-800-BUY-MOEN

www.moen.com