

FAUCET DESCRIPTION

- Solid brass construction
- Chrome finish
- 3/8" compression x 22" supply lines
- Optional deck plate
- Includes side spray with Hydrolock® quick-connect system

OPERATION

- Lever style handle
- Pull-on/Push-off
- Temperature controlled by 110° arc of handle travel


FLOW

- Aerator is limited to 2.2 gpm max (8.3 L/min)

CARTRIDGE

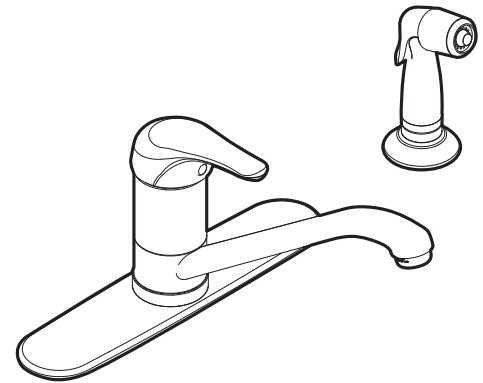
- Ceramic cartridge design with temperature limit stops
- Nonmetallic/nonferrous and ceramic material

STANDARDS

- Third party certified to CSA B-125.1, ASME A112.18.1, and all applicable requirements referenced therein including NSF 61/9
- Contains no more than 0.25% weighted average lead content
- Complies with California Proposition 65 and with the Federal Safe Drinking Water Act
- ADA  for lever handle

WARRANTY

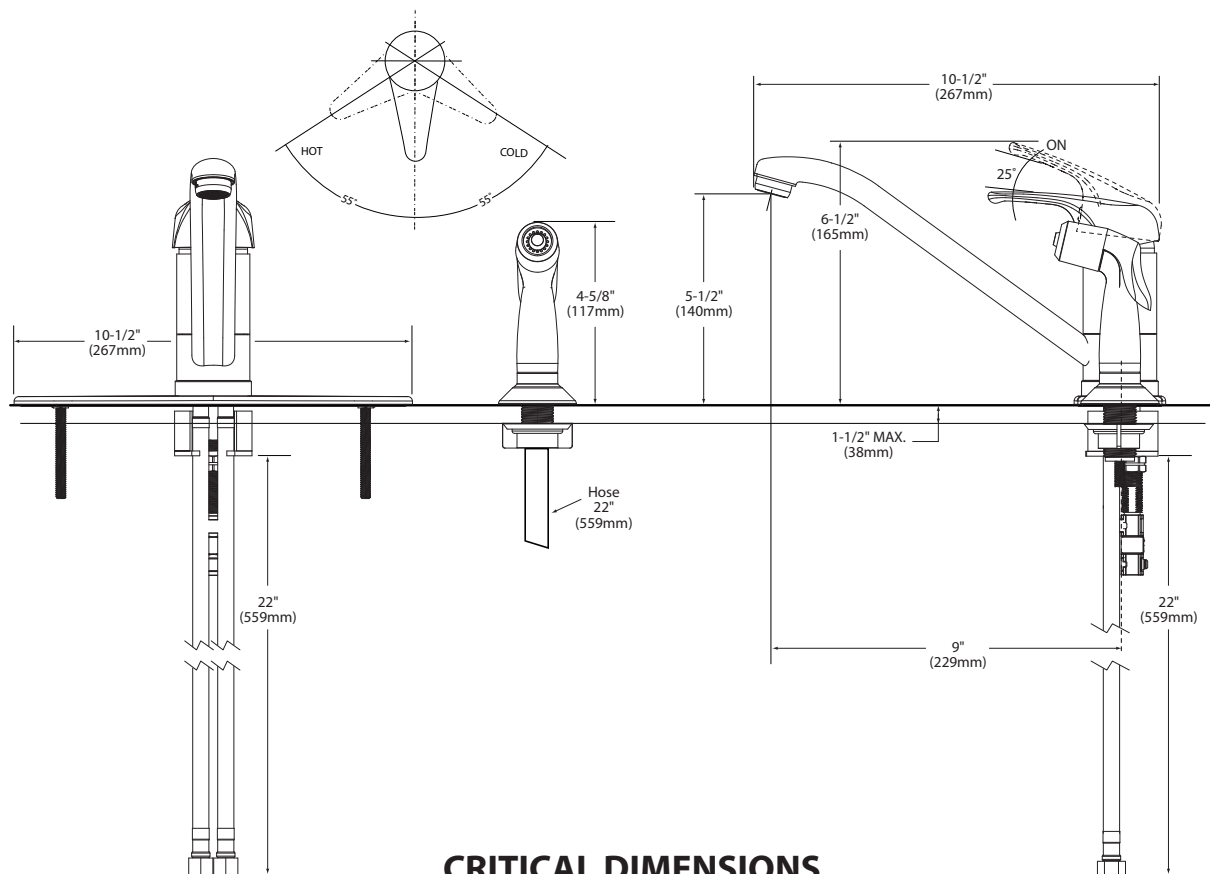
- Warranted for 5 years against materials or manufacturing defects



Single-Handle Kitchen Faucet

Model: CA8707

NOTE: DESIGNED TO BE INSTALLED THROUGH 1 HOLE 1-3/8" MIN. DIA.



CRITICAL DIMENSIONS

(DO NOT SCALE)