

### FAUCET DESCRIPTION

- Chrome plated brass and metal construction
- Pressure balancing valve design with integral check stops
- 1/2" CC connections
- Supplied with vandal resistant screws


### OPERATION

- Lever style handle with temperature indicator on the escutcheon
- Pull-on/push-off operation
- Temperature operates through an 180° arc of handle travel (full cold to full hot)
- Adjustable temperature limit stop to limit the handle travel in the HOT direction
- Pressure balancing mechanism maintains selected discharge temperature to  $\pm 2^\circ$

### CARTRIDGE

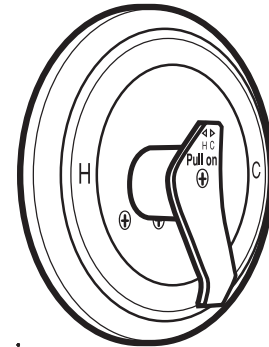
- 1225 cartridge design
- Nonmetallic/nonferrous and stainless steel materials
- Accommodates back to back installations

### STANDARDS

- Third party certified to ASME A112.18.1/CSA B125.1 and all applicable requirements referenced therein including ASSE 1016
- **ADA**  for lever handle

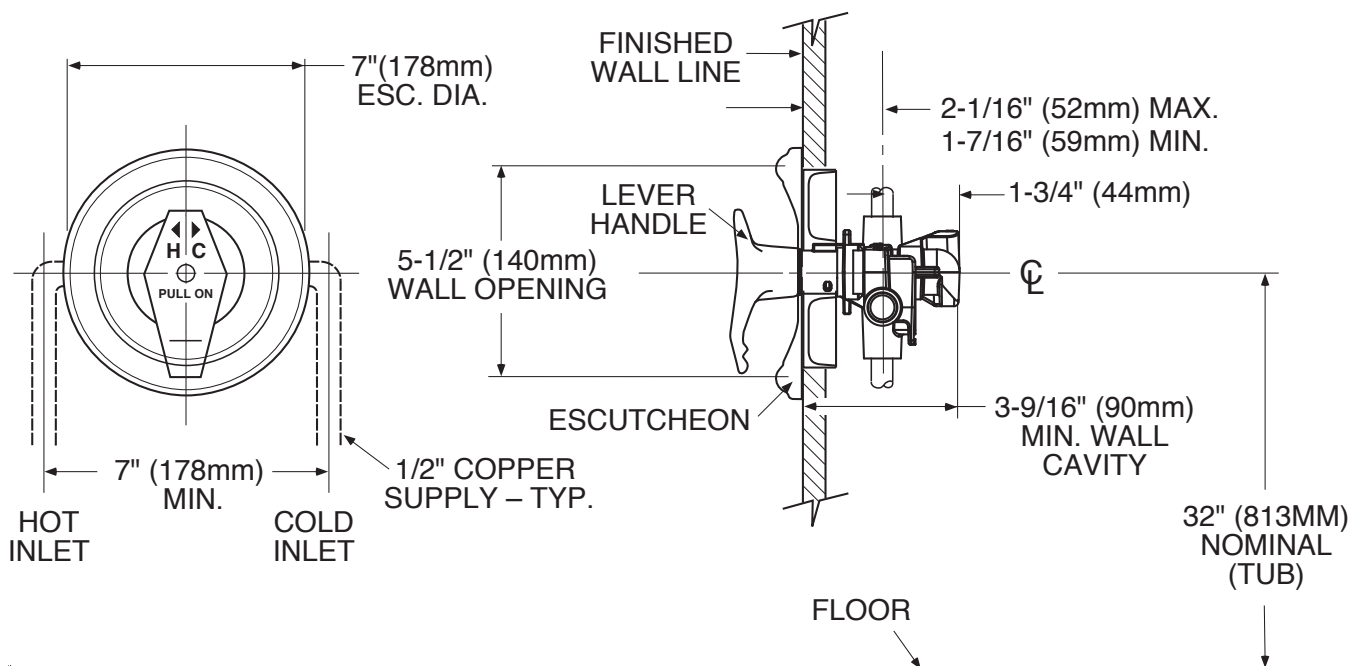
### WARRANTY

- Warranted for 5 years against material or manufacturing defects



## Single-Handle Pressure Balancing Tub/Shower Valve with Temperature Limit Stop

Model: 8350



### CRITICAL DIMENSIONS

(DO NOT SCALE)