

FAUCET DESCRIPTION

- Chrome plated metal construction
- 1/2" IPS connections
- Copper or brass waterways
- Supplied with vandal resistant screw

OPERATION

- Lever style handle with hot and cold color indicators

FLOW

- Aerator is limited to 2.2 gpm max (8.3 L/min)

CARTRIDGE

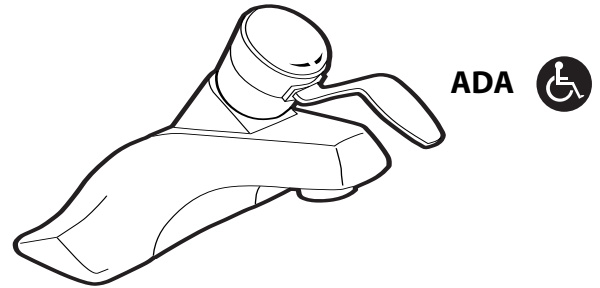
- 1225 cartridge design
- Nonmetallic/nonferrous and stainless steel material

STANDARDS

- Third party certified by IAPMO and CSA to meet ASME A112.18.1M, NSF 61/9, California Proposition 65, and all applicable specifications referenced therein and complies with the requirements of ANSI A117.1

WARRANTY

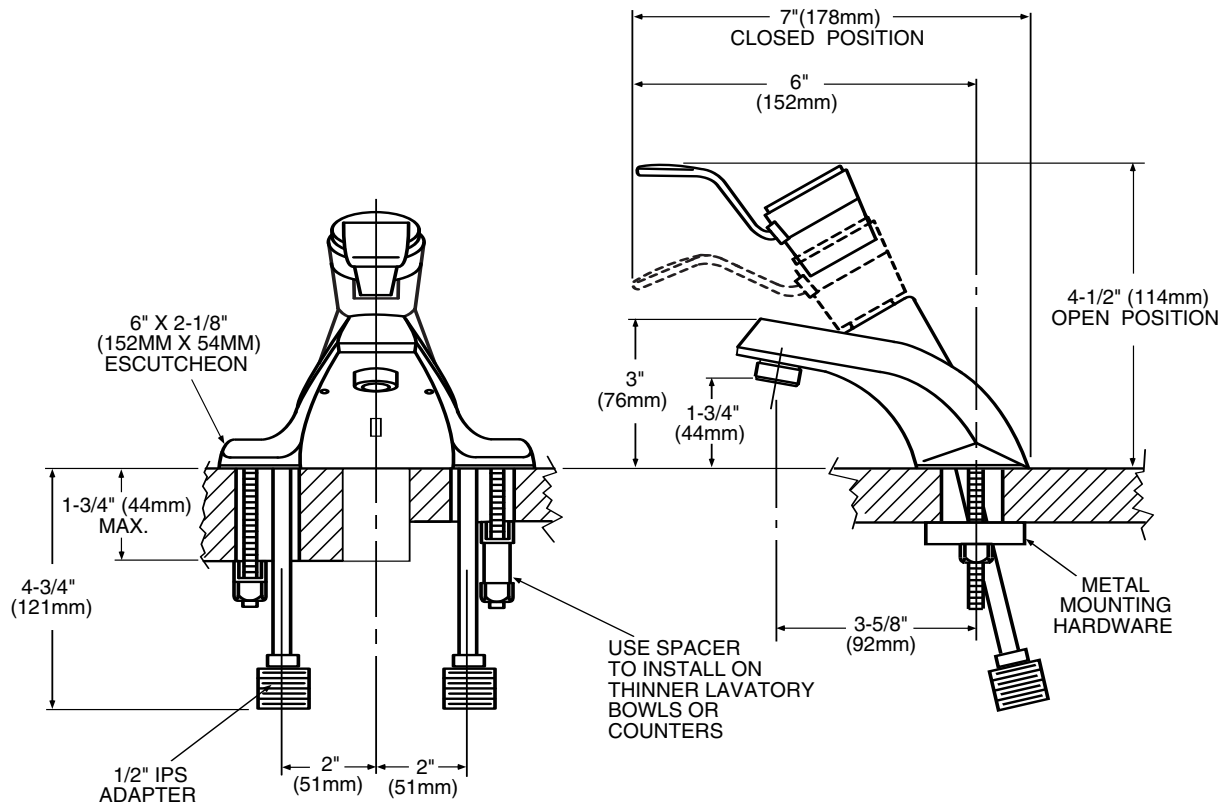
- Warranted for 5 years against material or manufacturing defects



Single-Handle Lavatory Faucet

Model: 8470

NOTE: DESIGNED TO INSTALL THROUGH 2-1" MIN. DIA. HOLES. 2" ON CENTER



CRITICAL DIMENSIONS

(DO NOT SCALE)