

*There is more than 1 version of this model.
Page down to identify the version you have.*

Specifications

DESCRIPTION

- Handheld shower
- Highly durable Chrome or Classic Brushed Nickel (CBN) PVD finish
- Quick cleaning rubber nozzles

OPERATION

- Single-function spray pattern
- Easy to operate non-positive pause button (reduces the flow of water to a trickle)

FLOW

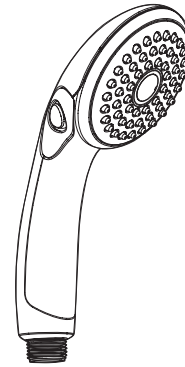
- 8349** (2.5gpm/9.5 lpm) - Chrome finish
- 8349CBN** (2.5gpm/9.5 lpm) - CBN finish
- 8349EP17** (1.75gpm/6.6 lpm) - Chrome finish; **WaterSense[®] Certified**
- 8349EP17CBN** (1.75gpm/6.6 lpm) - CBN finish; **WaterSense[®] Certified**
- 8349EP15** (1.5gpm/5.7 lpm) - Chrome finish; **WaterSense[®] Certified**
- 8349EP15CBN** (1.5gpm/5.7 lpm) - CBN finish; **WaterSense[®] Certified**

STANDARDS

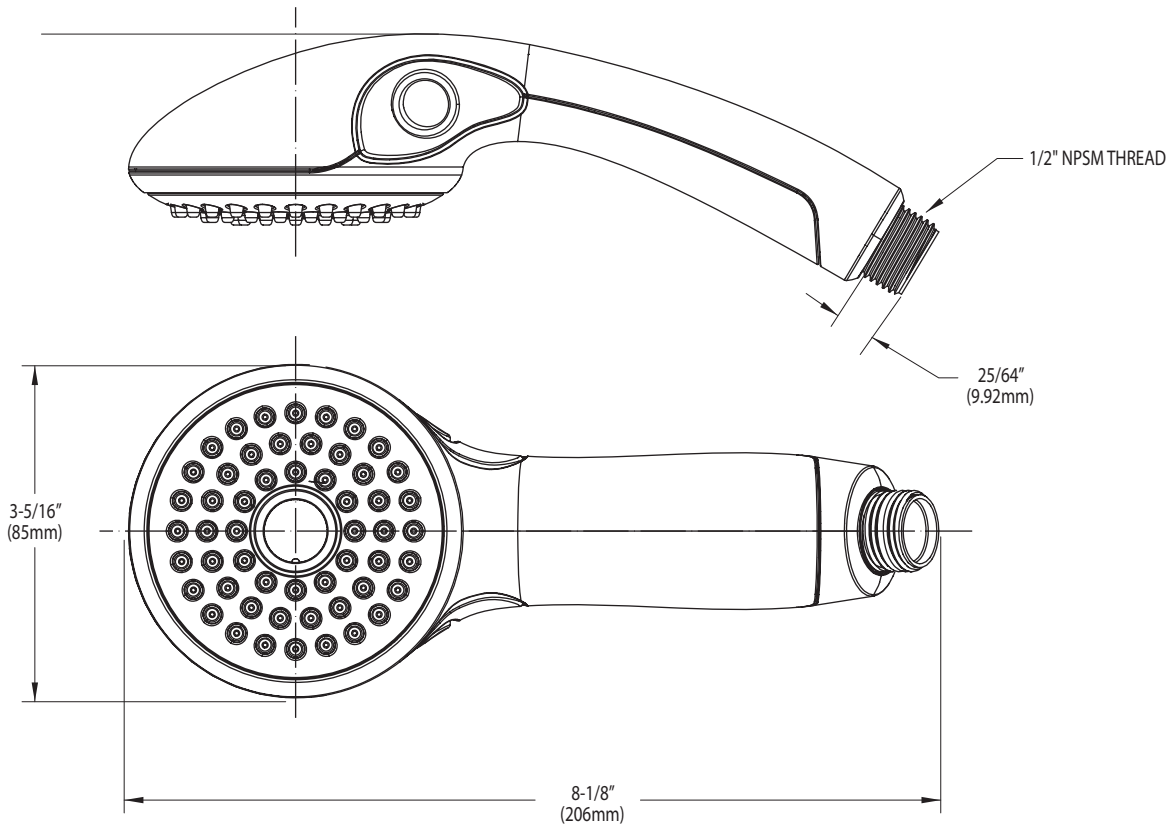
- Third party certified to WaterSense[®] (only applies to 1.75 and 1.5 gpm), ASME A112.18.1/CSA B125.1, ICC A117.1 and all applicable requirements referenced therein

WARRANTY

- Warranted for 5 years against material or manufacturing defects



**Single Function
Handheld Shower**



CRITICAL DIMENSIONS

(DO NOT SCALE)

DESCRIPTION

- Handheld shower
- High impact chrome plated plastic
- Quick cleaning rubber nozzles

OPERATION

- Single-function spray pattern

FLOW

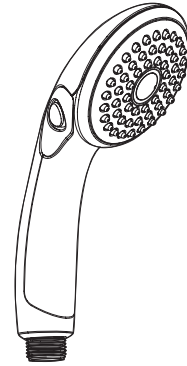
- Designed to deliver 2.5 gpm (9.5 L/min) MAX

STANDARDS

- Third party certified to ASME A112.18.1/CSA B125.1, ICC A115.1 and all applicable requirements referenced therein

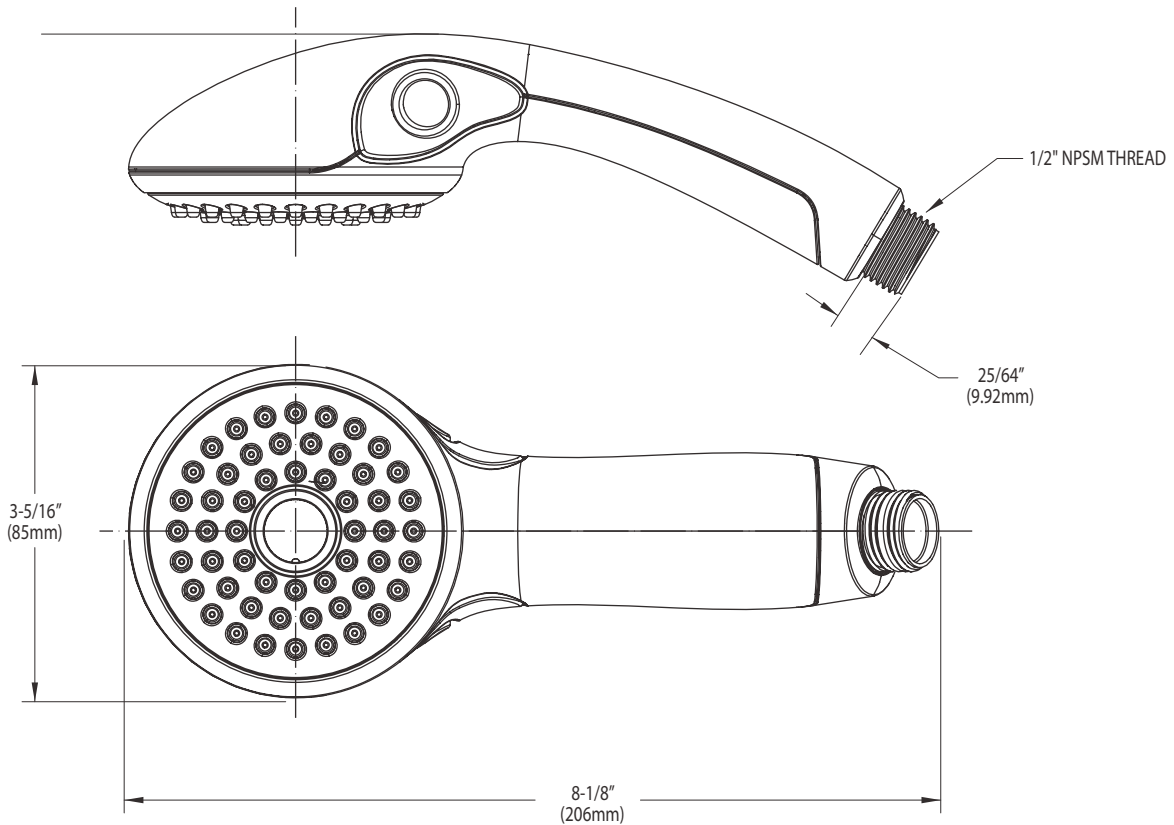
WARRANTY

- Warranted for 5 years against material or manufacturing defects



Single Function Handheld Shower

Model: 8349



CRITICAL DIMENSIONS

(DO NOT SCALE)