

PRODUCT DESCRIPTION

- Brass construction w/chrome plated finish
- 1 IPS supply
- 1-1/4" top spud

OPERATION

- Adjustable sensor eyes
- Battery powered (4) standard AA (included)
- Average battery life 250,000 cycles
- Self-diagnostic electronics
- Piston flushing mechanism
- Self cleaning filter system
- Low battery indicator light

FLOW

- Operating pressures 10 to 125 psi
- 1.0 gpf (gallons per flush)
- 24 hour sentinel flush
- Manual override button

VALVES

- 1" IPS angle stop (vandal resistant)
- Adjustable installation (left or right connection)

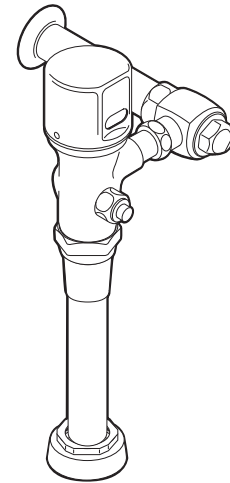
STANDARDS

- Third party certified by IAPMO and CSA to meet ASME A112.19.2M and all applicable requirements referenced therein and complies with requirements of ASSE 1037

- **ADA** 

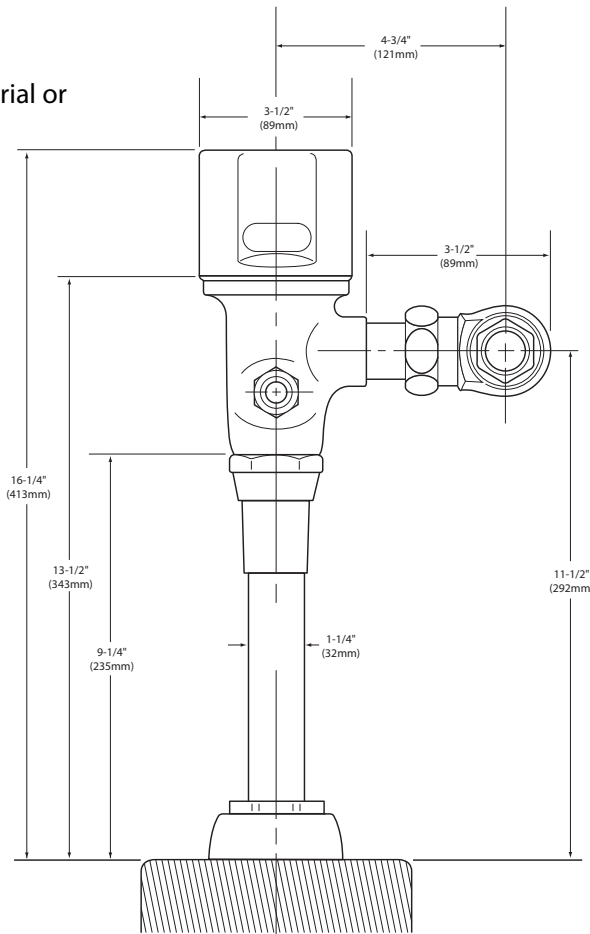
WARRANTY

- Warranted for 5 years against material or manufacture defects.



1-1/4" Battery Powered Exposed Style Urinal Flush Valve

Model: 8314



CRITICAL DIMENSIONS

(DO NOT SCALE)