



Buy it for looks. Buy it for life.®

### Care Instructions

To preserve the finish on the metallic parts of your Moen faucet, apply non-abrasive wax, such as car wax. Any cleaners should be rinsed off immediately.

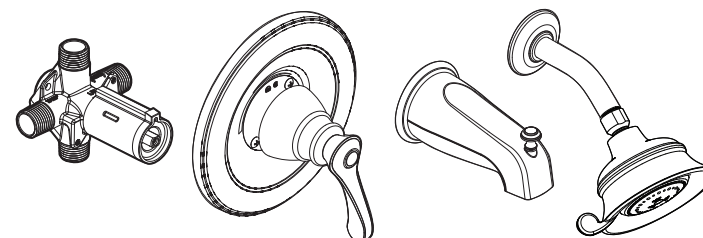
### 6. Post Installation - Troubleshooting Guide

Problem	Possible Cause	To Diagnose	Remedy
Hot/cold reversed	Lines reversed/ cartridge installed upside down	Hot/cold reversed	Rotate cartridge stem 180° so that the notch is facing down towards the drain.
No water/low flow	One or both supplies not on to the unit	No water/low flow	Turn both water supply valves counterclockwise to the on position
Leak or drip from spout	Grommets not sealing properly	Leak/drip from spout	Replace cartridge
Only hot/no cold – Only cold/no hot	Balancing spool stuck	Only hot/no cold – Only cold/no hot	Replace cartridge
Stacking (Water comes out of the showerhead during tub fill mode)	Choice of pipe/ distance between valve and showerhead less than 46"/multiple elbows/anything restricting flow of water exiting valve	Water comes out of spout and showerhead at the same time	Change pipe to IPS or copper/distance from showerhead and valve moved to at least 46"/change or remove anything restrictive
	Flow restriction between valve and tub spout	Water comes out of spout and showerhead at the same time causing restriction	Remove tub spout and flush out debris – Replace undersized line or fittings
	Valve installed upside down	Remove cartridge and verify that the outlet hole is in proper location (should be down). "Up" is on the top of the valve	Remove valve and reinstall in the proper orientation
Restricted temperature range	Handle (more common in knob models) is installed upside down	In the off position, able to turn the handle both clockwise and counterclockwise	Remove handle, rotate 180°, re-install
	Temperature limit stop out of position	Remove handle and see Step 5.3	Position temperature limit stop to desired temperature position
Not able to install handle/handle rubs up against escutcheon	Valve installed too far back from finished wall	Handle does not install	Contact Moen for assistance.
Handle is hard to turn	Cartridge stem is difficult to rotate	Difficult movement from handle	Replace cartridge or lubricate

For further assistance, contact Moen at:  
 USA: 1-800-289-6636 or visit [www.moen.com](http://www.moen.com)  
 Canada: 1-800-465-6130 or visit [www.moen.ca](http://www.moen.ca)

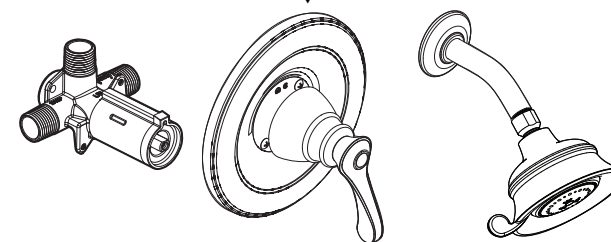


Buy it for looks. Buy it for life.®



One Handle Tub/Shower Valve Trim

One Handle Shower Only Valve Trim



### Installation Instructions

Styles and parts vary by model.



INS2152A

#### For Warranty Support

Model Number \_\_\_\_\_

Installation Date \_\_\_\_\_

Thank you for choosing Moen.

Visit [Moen.com](http://Moen.com) for product specific parts diagrams.  
Styles and parts vary by model.

English

English

**Please Contact Moen First**  
For Installation Help, Missing or Replacement Parts

<p>USA</p> <p><b>1-800-BUY-MOEN</b> <b>1-800-289-6636</b></p> <p>Mon. - Fri. 8:00 a.m. to 8:00 p.m. EST Sat. 9:00 a.m. to 5:30 p.m. EST</p> <p><a href="http://www.moen.com">www.moen.com</a></p>	<p>CANADA</p> <p><b>1-800-465-6130</b></p> <p>Mon. - Fri. 7:30 a.m. to 5:00p.m. EST</p> <p><a href="http://www.moen.ca">www.moen.ca</a></p>
---	---

**Table of Contents**

Tub/Shower Parts Supplied.....E3

Shower Only Parts Supplied .....E3

Rough-in Plumbing Variations

Copper .....E4

IPS.....E4

PEX .....E5

CVPC .....E5

Helpful Tools.....E4-E5

Installation Schematics .....E6

Thin Wall/Thick Wall and Plaster Ground Installation .....E7-E8

Trim Installation.....E8-E9

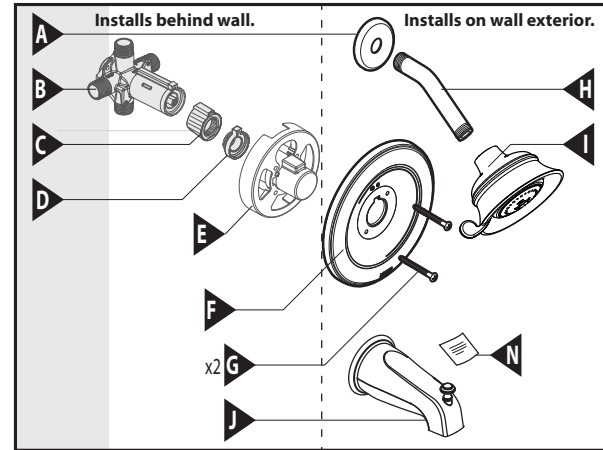
Setting the Temperature Limit Stop .....E10

Warranty.....E11

Care Instructions .....E12

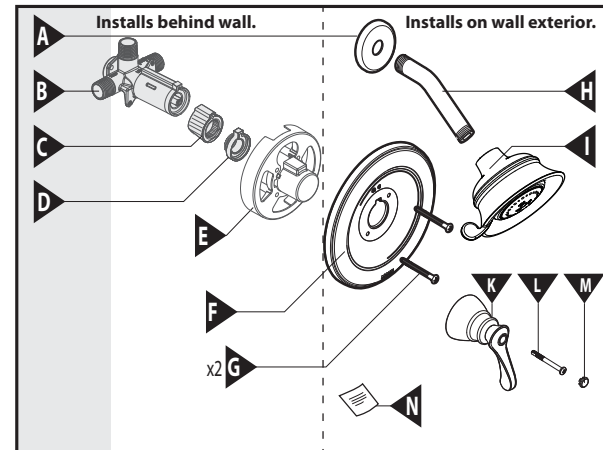
Troubleshooting Guide.....E12

**Tub/Shower Parts Supplied**



- |   |  |
|---|--|
| <ul style="list-style-type: none"> <li>A. Shower Arm Flange</li> <li>B. 4 Port Valve and Stop Tube</li> <li>C. Key Stop</li> <li>D. Adjustable Temperature Limit Stop</li> <li>E. Plaster Ground</li> <li>F. Escutcheon</li> <li>G. Escutcheon Screws (2-3/16")</li> <li>H. Shower Arm</li> </ul> | <ul style="list-style-type: none"> <li>I. Showerhead</li> <li>J. Tub Spout</li> <li>N. Product Identification Label</li> </ul> |
|---|--|

**Shower Only Parts Supplied**

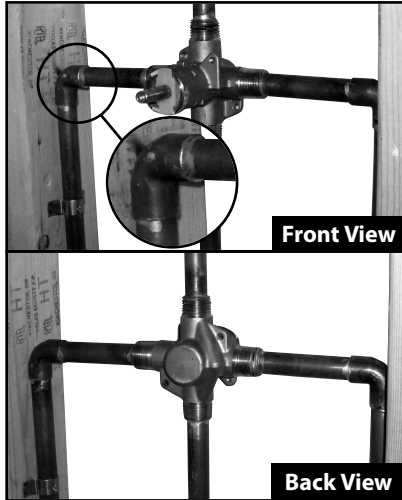


- |   |   |
|---|---|
| <ul style="list-style-type: none"> <li>A. Shower Arm Flange</li> <li>B. 4 Port Valve and Stop Tube</li> <li>C. Key Stop</li> <li>D. Adjustable Temperature Limit Stop</li> <li>E. Plaster Ground</li> <li>F. Escutcheon</li> <li>G. Escutcheon Screws (2-3/16")</li> <li>H. Shower Arm</li> </ul> | <ul style="list-style-type: none"> <li>I. Showerhead</li> <li>K. Lever Handle</li> <li>L. Phillips Screw - Lever (2-1/8")</li> <li>M. Lever Cap</li> <li>N. Product Identification Label</li> </ul> |
|---|---|

# 1. Determining Your Existing Rough-In Plumbing Installation

If you are replacing your plumbing valve, see below for four common plumbing methods. Specific rough-in fittings are **not supplied**. These may be required for installation. Remove existing handle and valve trim before replacing your valve. Please follow all local building and plumbing codes.

## Copper

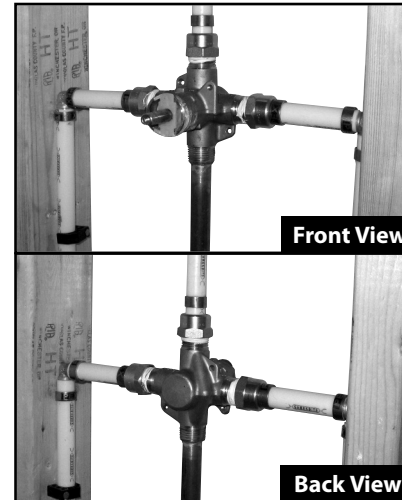


### Helpful Tools

For safety and ease of faucet replacement, Moen recommends the use of these helpful tools.

- Safety Glasses
- Measuring Tape
- Torch
- Wire Brush
- Phillips Screwdriver
- Tube Cutter
- Lead-free Solder Kit
- Thermometer
- Thread Seal Tape
- Crescent Wrench
- Pipe Joint Compound
- Flashlight
- Key Hole Saw

## PEX

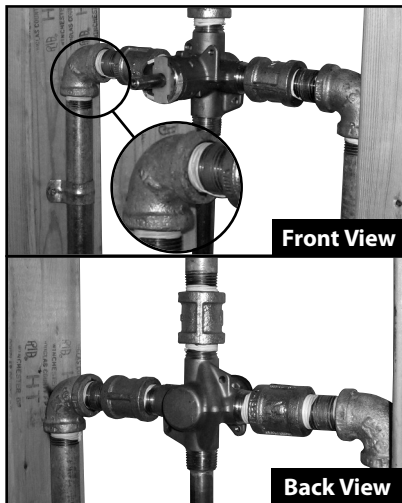


### Helpful Tools

For safety and ease of faucet replacement, Moen recommends the use of these helpful tools.

- Safety Glasses
- Measuring Tape
- Pipe Joint Compound
- Crescent Wrench
- Thread Seal Tape
- Phillips Screwdriver
- Full Circle Crimping Tool
- Thermometer
- Tubing Cutter
- Flashlight
- Key Hole Saw

## IPS – (Galvanized Iron Pipe/Threaded Connections)

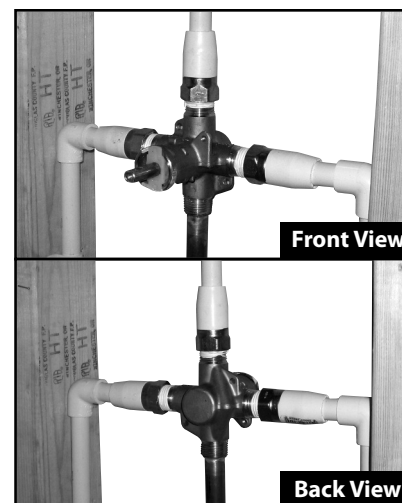


### Helpful Tools

For safety and ease of faucet replacement, Moen recommends the use of these helpful tools.

- Safety Glasses
- Measuring Tape
- Thermometer
- Crescent Wrench
- Thread Seal Tape
- Phillips Screwdriver
- Adjustable Wrench
- Pipe Joint Compound
- Flashlight
- Key Hole Saw

## CPVC



### Helpful Tools

For safety and ease of faucet replacement, Moen recommends the use of these helpful tools.

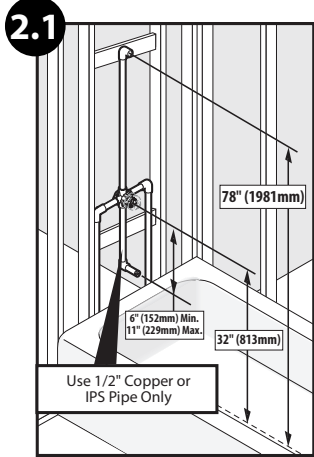
- Safety Glasses
- Measuring Tape
- Pipe Joint Compound
- Crescent Wrench
- Thread Seal Tape
- Phillips Screwdriver
- CPVC Cement
- Thermometer
- CPVC Cleaner
- Tubing Cutter
- Flashlight
- Key Hole Saw

**⚠ CAUTION – TURN HOT & COLD WATER SUPPLIES OFF BEFORE REMOVING YOUR CURRENT FAUCET OR DISASSEMBLING YOUR CURRENT VALVE. OPEN FAUCET HANDLE TO RELIEVE WATER PRESSURE AND ENSURE COMPLETE WATER SHUT-OFF HAS BEEN ACCOMPLISHED.**

**⚠ CAUTION – TURN HOT & COLD WATER SUPPLIES OFF BEFORE REMOVING YOUR CURRENT FAUCET OR DISASSEMBLING YOUR CURRENT VALVE. OPEN FAUCET HANDLE TO RELIEVE WATER PRESSURE AND ENSURE COMPLETE WATER SHUT-OFF HAS BEEN ACCOMPLISHED.**

## 2. Installation Schematics – Measuring for Ideal Tub/Shower Performance

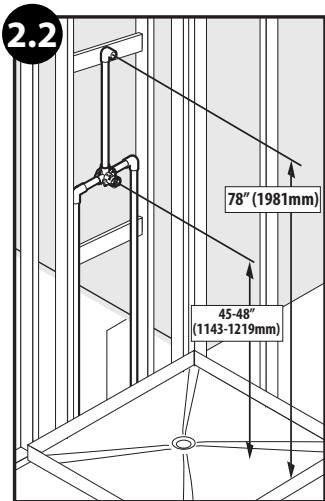
Installation of this product at non-recommended measurements may lead to issues such as water discharge from the showerhead during tub fill mode.



### Tub/Shower

Position the valve body 32 inches from the floor of the tub basin. The shower arm should be placed 78 inches above the floor of the tub basin (recommended installation of the shower arm is with a flanged elbow fitting – **not included** – and attached to a wood brace). The tub spout is to be no less than 6 inches and no greater than 11 inches below the valve. If installing a threaded tub spout, connect to the valve with 1/2 inch pipe or 1/2 inch copper tubing with a threaded adapter. If installing a slip-fit tub spout, connect to the valve with only copper tubing – no threaded adapter is needed.

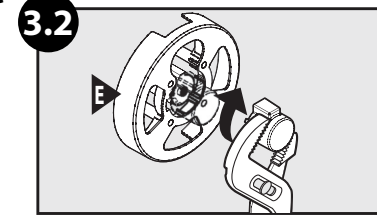
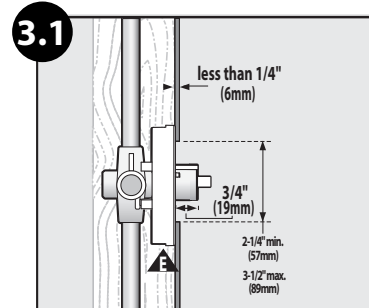
See step 4.3 for tub spout tube length.



### Shower Only

The center of the valve should be 45 inches to 48 inches above the shower stall floor. The shower arm should be placed 78 inches above the floor of the shower stall floor (recommended installation of the shower arm is with a flanged elbow fitting – **not included** – and attached to a wood brace).

## 3. Installing Your Valve



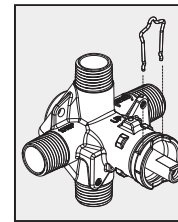
### Thin Wall Installation For Walls Thinner Than 1/4 inch

**3.1** The “Thin Wall” method is used when the tub/shower wall is less than 1/4 inches thick (such as fiberglass tub surround) and will be the main source of support for the valve.

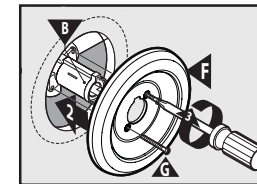
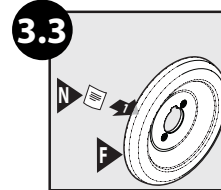
The plaster ground (E) **remains attached** to the valve. A 2-1/4 inches to 3-1/2 inches diameter hole is cut thru the wall for this method.

**3.2** Break away the black plastic protective cover using pliers and rotating clockwise.

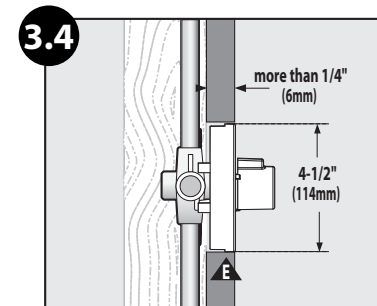
**3.3** Remove the escutcheon screws (G), place product identification label (N) **on back of escutcheon**, make sure wall is clean, place the escutcheon (F) over the stop tube (B), then reinstall the screws (G). A gasket on the back of the escutcheon provides a seal against the finished wall.



Ensure cartridge retainer clip is installed prior to escutcheon installation.



**Go To Step 4.1**



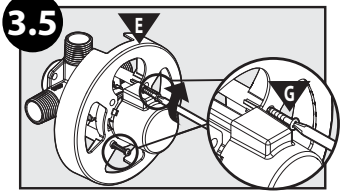
### Thick Wall Installation For Walls Thicker Than 1/4 inch

**3.4** The “Thick Wall” installation method is used when the tub/shower wall is greater than 1/4 inches thick. “Thick Walls” are usually built up with materials such as cement board, drywall, tile, etc. The valve is secured by straps (**not included**) holding the water inlet lines to the framing members (2X4’s) as shown in steps 2.1 and 2.2. The valve also features mounting holes to screw the valve to a cross member attached behind the valve if desired.

Attach the plaster ground (E) to the valve body using the 2-3/16 inches escutcheon screws (G). Keep the plaster ground (E) attached to the valve until the valve has been positioned and secured. The plaster ground (E) is positioned so that it is flush with the finished wall. This ensures that the valve will be at the correct position to accept the trim.

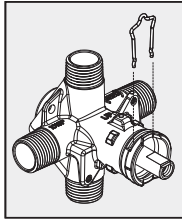
The hole in the wall should be the same size (4-1/2 inches) as the plaster ground (E). This hole will allow access for future servicing if necessary.



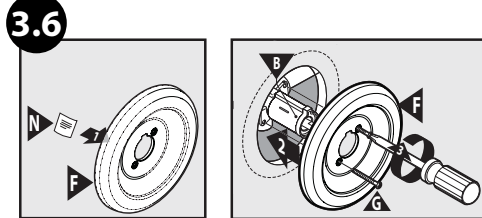


**3.5** Once the valve is secured in place, remove the escutcheon screws (G) and the plaster ground (E). **Keep the escutcheon screws (G) for installation of the escutcheon (F) and discard the plaster ground (E).**

**3.6** Place product identification label (N) **on back of escutcheon**, make sure wall is clean, place the escutcheon (F) over the stop tube (B) then re-install the screws (G). A gasket on the back of the escutcheon provides a seal against the wall.



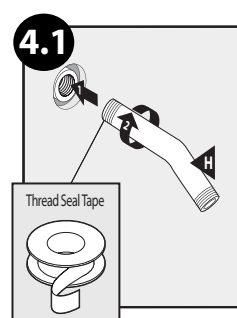
Ensure cartridge retainer clip is installed prior to escutcheon installation.



**Go To Step 4.1**

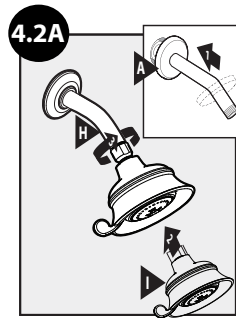
Moen suggests testing for functionality and checking for leaks before sealing walls. An access panel behind the valve is recommended.

## 4. Installing Your Moen Tub/Shower Trim



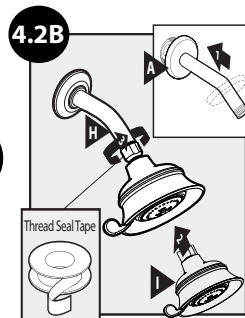
Wrap thread seal tape around the threads of the shower arm (H) then screw the arm into the threaded connection in the wall.

If there is a rubber washer inside the threaded adapter on the showerhead, continue to step 4.2A. If there is no rubber washer, then proceed to step 4.2B.



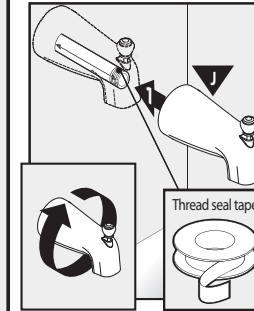
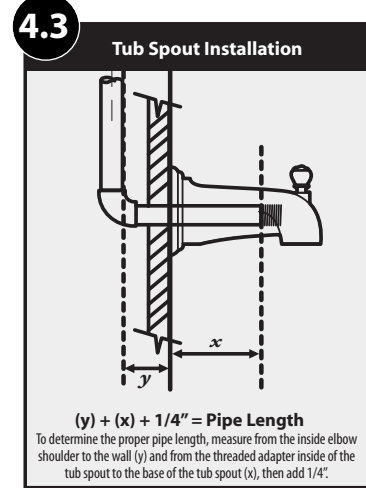
**4.2A Plastic Shower Ball**  
Seal around the shower arm hole with sealant (caulk) then slide shower flange (A) over shower arm (H). Remove any debris from the shower arm to ensure proper flow. Then, simply thread showerhead (I) onto shower arm (H).

**OR**



**4.2B Metal Shower Ball**  
Seal around the shower arm hole with sealant (caulk) then slide shower flange (A) over shower arm (H). Wrap thread seal tape around threads at bottom of shower arm (H). Remove any debris from the shower arm to ensure proper flow. Thread showerhead (I) onto shower arm (H).

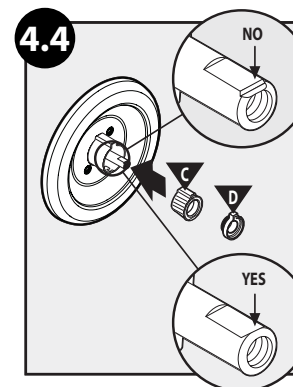
## Threaded Tub Spout Installation



If this is a shower only installation, skip to step 4.4.

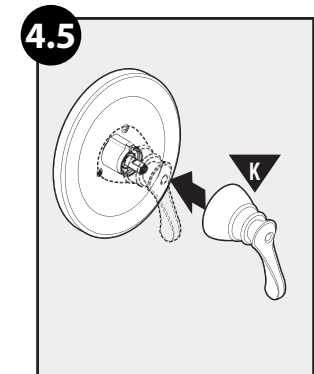
IPS (threaded) spouts are designed to screw onto a pipe with 1/2 inch male pipe threads. To determine the proper pipe length, measure from the inside elbow shoulder to the wall (y) and from the threaded adapter inside of the tub spout to the base of the tub spout (x), then add 1/4". Place thread seal tape around the pipe threading and a sealant (plumbers putty or caulk) around the base of the pipe to prevent leaking behind the wall.

## Cartridge Orientation



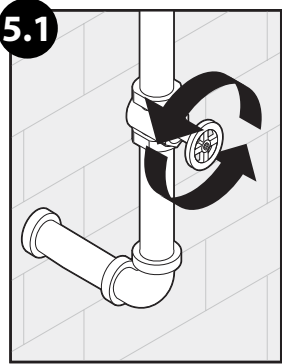
Now you are ready to attach the handle. Rotate so the notch at the end of the stem is facing down towards the drain. Insert the key stop (C) and the adjustable limit stop (D) into stop tube as shown.

## Handle Installation

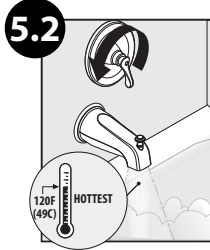


Place the lever (K) onto the cartridge.

### 5. Setting The Temperature Limit Stop and Finishing Your Tub/Shower Installation



5.1 Turn on the hot and cold water supply to check for leaks and set temperature limit stop.

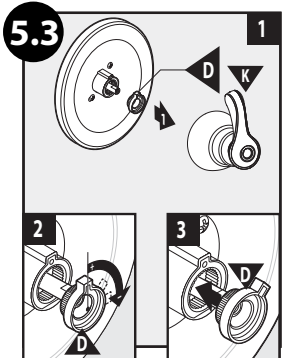


5.2 Rotate the lever counterclockwise until the water is to the maximum desired temperature, not to exceed 120 degrees F (49 degrees C). Seasonal maintenance of the maximum outlet temperature may be required due to changes in groundwater temperature.

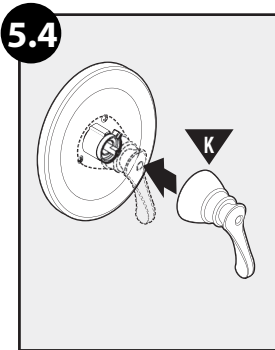
**TURN LEVER TO THE OFF POSITION ONCE THE TEMPERATURE IS SET.**

**If temperature exceeds 120 degrees, go to step 5.3.**

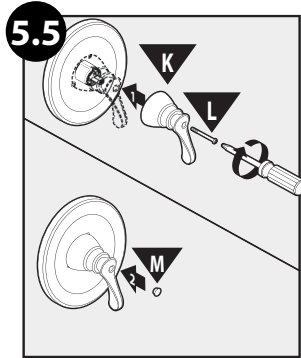
**If temperature is less than 120 degrees, go to step 5.4.**



5.3 Remove the lever (K). Note the position of the stop. Position the adjustable temperature limit stop (D) so the lever stops at that position. This prevents the lever or knob from being turned into an unsafe temperature.



5.4 After setting the adjustable temperature limit stop to the desired position, reattach lever (K).



5.5 **OR** insert 2-1/8 inches Phillips screw (L). Tighten screw and insert cap (M).

## Moen Lifetime Limited Warranty

Moen products have been manufactured under the highest standards of quality and workmanship. Moen warrants to the original consumer purchaser for as long as the original consumer purchaser owns their home (the "Warranty Period" for homeowners), that this faucet will be leak- and drip-free during normal use and all parts and finishes of this faucet will be free from defects in material and manufacturing workmanship. All other purchasers (including purchasers for industrial, commercial and business use) are warranted for a period of 5 years from the original date of purchase (the "Warranty Period" for non-homeowners).

If this faucet should ever develop a leak or drip during the Warranty Period, Moen will FREE OF CHARGE provide the parts necessary to put the faucet back in good working condition and will replace FREE OF CHARGE any part or finish that proves defective in material and manufacturing workmanship, under normal installation, use and service. Replacement parts may be obtained by calling 1-800-289-6636 (Canada 1-800-465-6130), or by writing to the address shown. Proof of purchase (original sales receipt) from the original consumer purchaser must accompany all warranty claims. Defects or damage caused by the use of other than genuine Moen parts is not covered by this warranty. This warranty is applicable only to faucets purchased after December, 1995 and shall be effective from the date of purchase as shown on purchaser's receipt.

This warranty is extensive in that it covers replacement of all defective parts and finishes. However, damage due to installation error, product abuse, product misuse, or use of cleaners containing abrasives, alcohol or other organic solvents, whether performed by a contractor, service company, or yourself, are excluded from this warranty. Moen will not be responsible for labor charges and/or damage incurred in installation, repair or replacement, nor for any indirect, incidental or consequential damages, losses, injury or costs of any nature relating to this faucet. Except as provided by law, this warranty is in lieu of and excludes all other warranties, conditions and guarantees, whether expressed or implied, statutory or otherwise, including without restriction those of merchantability or of fitness for use.

Some states, provinces and nations do not allow the exclusion or limitation of incidental or consequential damages, so the above limitations or exclusions may not apply to you. This warranty gives you specific legal rights and you may also have other rights which vary from state to state, province to province, nation to nation. Moen will advise you of the procedure to follow in making warranty claims. Simply write to Moen Incorporated using the address below. Explain the defect and include proof of purchase and your name, address, area code and telephone number.

Moen Incorporated  
25300 Al Moen Drive, North Olmsted, Ohio 44070-8022 U.S.A.

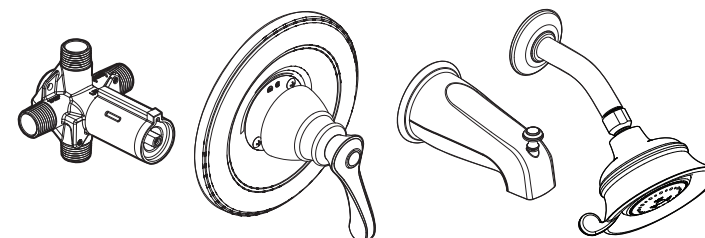
## Instrucciones para el cuidado

Para conservar el acabado de las piezas metálicas de su grifo Moen, aplique cera no abrasiva, como una cera para autos. Cualquier limpiador deberá enjuagarse inmediatamente.

## 6. Después de la instalación - Guía para solucionar problemas

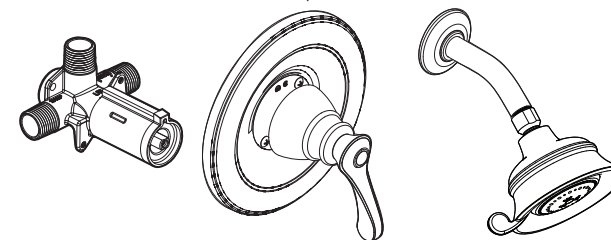
Problema	Causa probable	Para diagnosticar	Solución
Agua caliente/fría invertida	Líneas invertidas/el cartucho se instaló al revés	Agua caliente/fría invertida	Gire 180° el vástago del cartucho de manera que la muesca quede hacia abajo hacia el drenaje.
No hay agua/bajo caudal	Uno o ambos suministros no están en la unidad	No hay agua/bajo caudal	Abra las dos válvulas de suministro de agua hacia la izquierda a la posición de abierto
Fugas o goteo en el surtidor	La arandela no sella correctamente	Fugas/goteo en el surtidor	Reemplace el cartucho
Sólo agua caliente/no fría - Sólo agua fría/no caliente	Carrete de equilibrio pegado	Sólo agua caliente/no fría - Sólo agua fría/no caliente	Reemplace el cartucho
Effet de colonne (l'eau sort de la pomme de douche durant le remplissage en mode baignoire)	Elección de tubo/ distancia entre la válvula y el cabezal de la regadera a menos de 46"/codos múltiples/cualquier cosa que restringe el flujo de la válvula de salida de agua	El agua sale del surtidor de la tina y del cabezal de la regadera al mismo tiempo	Cambie el tubo a IPS o cobre/la distancia del cabezal de la regadera y la válvula se trasladó a al menos 46"/cambie o retire cualquier restricción
	El tope del límite de temperatura está fuera de su posición	El agua sale del surtidor de la tina y del cabezal de la regadera al mismo tiempo ocasionando restricción	Retire el surtidor de la tina y enjuague los residuos - Reemplace el tubo o las juntas de tamaño reducido
	Válvula instalada demasiado lejos de la pared acabada	Retire el cartucho y compruebe que el orificio de salida esté en un lugar adecuado (debe ser hacia abajo). "Up" (Arriba) está en la parte superior de la válvula	Retire la válvula y vuelva a instalar en la orientación correcta
Rango de temperatura restringido	La manija (más común en los modelos de perilla) está instalada al revés	En la posición de cerrado, debe poder girar la palanca a la derecha y a la izquierda	Retire la manija, gire 180°, vuelva a instalar
	Le limiteur de température n'est pas à la position appropriée	Quite la manija y vea el Paso 5.3	Coloque el tope del límite de temperatura en la posición deseada de temperatura
No se puede instalar la manija/la manija hace fricción contra el escudete	Válvula instalada demasiado lejos de la pared acabada	La manija no se puede instalar	Póngase en contacto con Moen para obtener asistencia.
Es difícil girar la manija	El vástago del cartucho es difícil de girar	Movimiento difícil de la manija	Cambie el cartucho o lubrique

Para obtener asistencia adicional, póngase en contacto Moen en:  
EE.UU.: 1-800-289-6636 o visite [www.moen.com](http://www.moen.com)  
Canadá: 1-800-465-6130 o visite [www.moen.ca](http://www.moen.ca)



Un regulador de válvula con manija para tina/regadera

Un regulador de válvula con manija sólo para regadera



## Instrucciones de instalación

Los estilos y las piezas varían según el modelo.



INS2152A

### Para soporte de la garantía

Número de modelo \_\_\_\_\_  
Fecha de instalación \_\_\_\_\_

# Gracias por elegir Moen.

**Primero póngase en contacto con Moen**  
Para recibir ayuda de instalación o ausencia de piezas de repuesto

EE.UU.  
**1-800-BUY-MOEN**  
**1-800-289-6636**  
Lunes a viernes de 8:00 a.m. a 8:00 p.m. EST  
**www.moen.com**

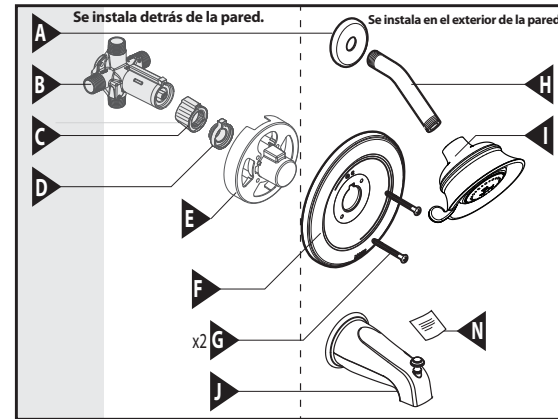
CANADÁ  
**1-800-465-6130**  
Lunes a viernes de 7:30 a.m. a 5:00 p.m. EST  
**www.moen.ca**

## Tabla de contenido

Piezas suministradas para la tina/regadera .....	S3
Piezas suministradas sólo para la regadera .....	S3
Variaciones de las tuberías de plomería	
Cobre .....	S4
IPS .....	S4
PEX .....	S5
CVPC .....	S5
Herramientas útiles .....	S4-S5
Esquemas de instalación .....	S6
Instalación en pared delgada/pared gruesa y plantilla de yeso .....	S7-S8
Instalación del regulador .....	S8-S9
Establecer el tope del límite de temperatura.....	S10
Garantía .....	S11
Instrucciones para el cuidado .....	S12
Guía para solucionar problemas .....	S12

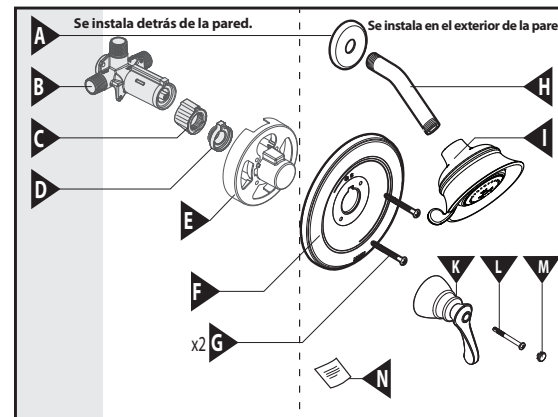
Visite **Moen.com** para ver los diagramas de piezas específicas del producto.  
Los estilos y las piezas varían según el modelo.

## Piezas suministradas para la tina/regadera



- |   |  |
|---|--|
| A. Brida del brazo de la regadera           | I. Cabezal de la regadera                  |
| B. Válvula de 4 puertos y tubo de tope      | J. Surtidor de la tina                     |
| C. Tope clave                               | N. Etiqueta de identificación del producto |
| D. Tope ajustable del límite de temperatura |  |
| E. Plantilla de yeso                        |  |
| F. Escudete                                 |  |
| G. Tornillos del escudete (2-3/16")         |  |
| H. Brazo de la regadera                     |  |

## Piezas suministradas sólo para la regadera

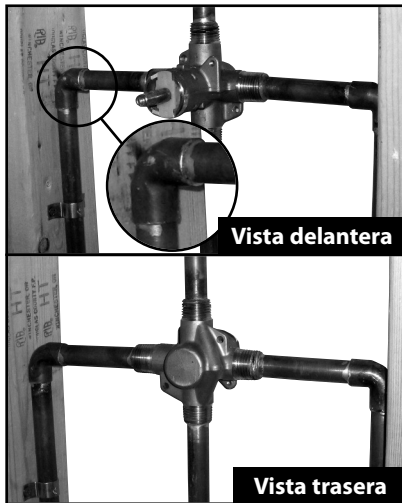


- |   |  |
|---|--|
| A. Brida del brazo de la regadera           | I. Cabezal de la regadera                  |
| B. Válvula de 4 puertos y tubo de tope      | K. Manija estilo palanca                   |
| C. Tope clave                               | L. Tornillo de cruz - Palanca (2-1/8")     |
| D. Tope ajustable del límite de temperatura | M. Tapón de la palanca                     |
| E. Plantilla de yeso                        | N. Etiqueta de identificación del producto |
| F. Escudete                                 |  |
| G. Tornillos del escudete (2-3/16")         |  |
| H. Brazo de la regadera                     |  |

## 1. Determinar la instalación existente de sus tuberías de plomería

Si va a reemplazar su válvula de plomería, ve a continuación los cuatro métodos comunes de plomería. Los accesorios específicos de tubería no se suministran. Estos pueden ser necesarios para la instalación. Retire la manija y el regulador de la válvula existentes antes de reemplazar la válvula. **Siga todos los códigos locales de construcción y plomería.**

### Cobre

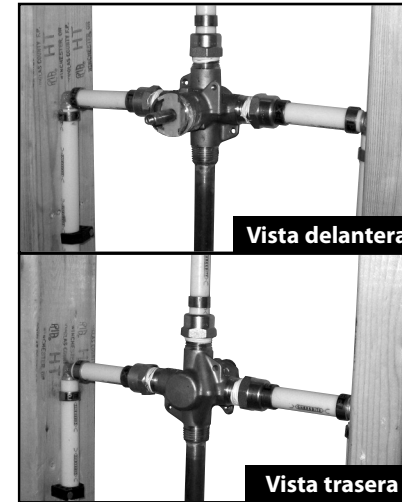


#### Herramientas útiles

Por seguridad y facilidad de reemplazo del grifo, Moen recomienda usar estas herramientas útiles.



### PEX

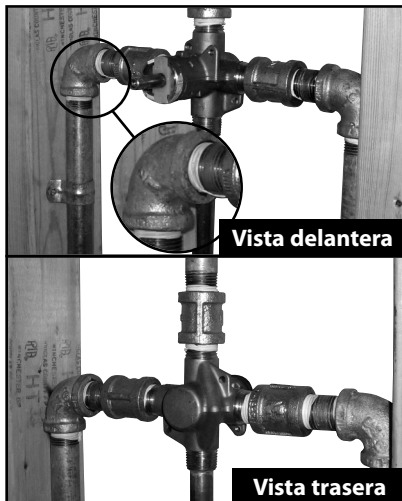


#### Herramientas útiles

Por seguridad y facilidad de reemplazo del grifo, Moen recomienda usar estas herramientas útiles.



### IPS – (Tubo de hierro galvanizado/Conexiones roscadas)

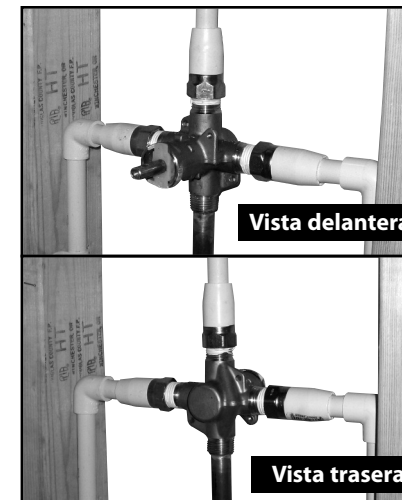


#### Herramientas útiles

Por seguridad y facilidad de reemplazo del grifo, Moen recomienda usar estas herramientas útiles.



### CPVC



#### Herramientas útiles

Por seguridad y facilidad de reemplazo del grifo, Moen recomienda usar estas herramientas útiles.



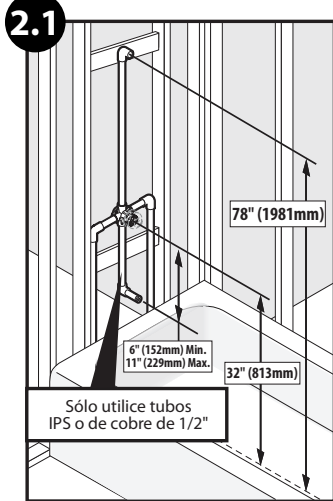
**⚠ PRECAUCIÓN: CIERRE LOS SUMINISTROS DE AGUA CALIENTE Y FRÍA ANTES DE QUITAR SU GRIFO ACTUAL O DESMONTAR SU VÁLVULA ACTUAL. ABRA LA LLAVE DEL GRIFO PARA LIBERAR LA PRESIÓN Y ASEGÚRESE DE QUE EL CIERRE COMPLETO DEL AGUA SE HAYA LOGRADO.**

**⚠ PRECAUCIÓN: CIERRE LOS SUMINISTROS DE AGUA CALIENTE Y FRÍA ANTES DE QUITAR SU GRIFO ACTUAL O DESMONTAR SU VÁLVULA ACTUAL. ABRA LA LLAVE DEL GRIFO PARA LIBERAR LA PRESIÓN Y ASEGÚRESE DE QUE EL CIERRE COMPLETO DEL AGUA SE HAYA LOGRADO.**



## 2. Esquemas de instalación: medir para lograr el rendimiento ideal de la tina/regadera

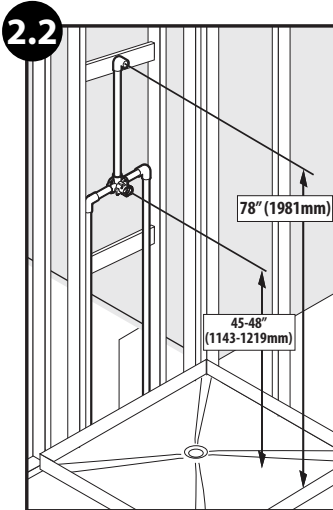
La instalación de este producto en medidas no recomendadas puede dar lugar a problemas como la descarga de agua del cabezal de la regadera en el modo de llenado de la tina.



### Tina/regadera

Coloque el cuerpo de la válvula a 32 pulgadas del piso de la cuenca de la tina. El brazo de la regadera se debe colocar 78 pulgadas sobre el suelo de la cuenca de la tina (la instalación recomendada del brazo de la regadera es con un codo de brida - **no incluido** - y unido a un refuerzo de madera). El surtidor de la tina no debe ser menor de 6 pulgadas y no mayor de 11 pulgadas debajo de la válvula. Si va a instalar un surtidor de la tina con rosca, conéctelo a la válvula con un tubo de 1/2 pulgada o un tubo de cobre de 1/2 pulgada con un adaptador de rosca. Si va a instalar un surtidor de la tina deslizable, conéctelo a la válvula sólo con tubería de cobre - no se necesita un adaptador de rosca.

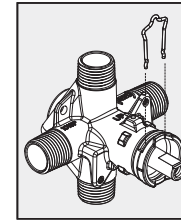
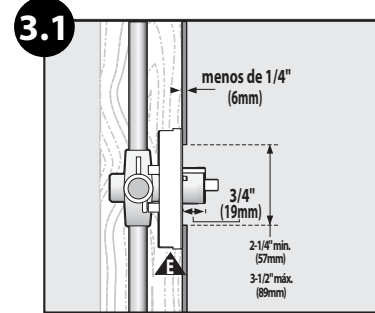
Vea el paso 4.3 para conocer la longitud del tubo del surtidor de la tina.



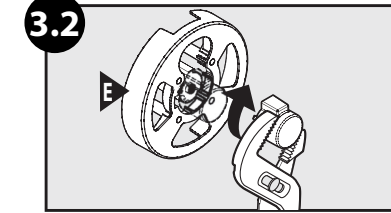
### Sólo regadera

El brazo de la regadera se debe colocar 78 pulgadas sobre el suelo de la cabina de la regadera (la instalación recomendada del brazo de la regadera es con un codo de brida - **no incluido** - y unido a un refuerzo de madera).

## 3. Instalar la válvula



Asegúrese de que el clip de retención del cartucho se haya instalado antes de instalar el escudete.

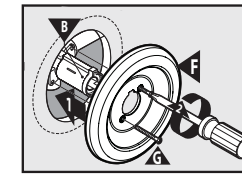
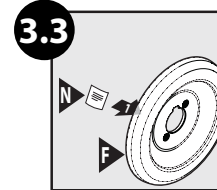


### Instalación en paredes delgadas Para paredes más delgadas de 1/4 de pulgada

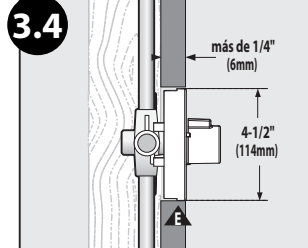
**3.1** El método de "pared delgada" se utiliza cuando la pared de la tina/regadera tiene menos de 1/4 de pulgada de grosor (como el área circundante de la tina de fibra de vidrio) y va a ser la fuente de apoyo principal para la válvula. La plantilla de yeso (E) permanece unida a la válvula. Un orificio de 2-1/4 a 3-1/2 pulgadas de diámetro se corta a través de la pared para este método.

**3.2** Rompa la cubierta protectora de plástico negro con unos alicates y gire a la derecha.

**3.3** Quite los tornillos del escudete (G), coloque la etiqueta de identificación del producto (N) en la parte posterior del escudete, asegúrese de que la pared esté limpia, coloque el escudete (F) sobre el tubo de tope (B) y vuelva a instalar los tornillos (G). Una junta en la parte posterior del escudete proporciona un sello contra la pared acabada.



Vaya al Paso 4.1



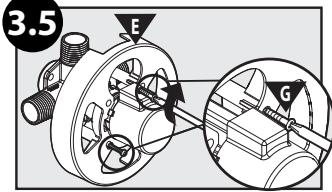
### Instalación en paredes gruesas

#### Para paredes más gruesas de 1/4 de pulgada

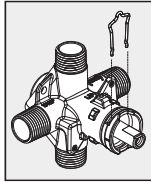
**3.4** El método de instalación de "pared gruesa" se utiliza cuando la pared de la tina/regadera tiene más de 1/4 de pulgada de grosor. Las "paredes gruesas" generalmente se construyen con materiales como placas de cemento, yeso, azulejo, etc. La válvula es asegurada con correas (**no incluidas**) sujetando las líneas de entrada de agua a los miembros de la estructura (2X4) como se muestra en los pasos 2.1 y 2.2. La válvula también cuenta con orificios de montaje para atornillar la válvula a un travesaño unido detrás de la válvula si se desea.

Una la plantilla de yeso (E) al cuerpo de la válvula con los tornillos del escudete de 2-3/16 pulgadas (G). Mantenga la plantilla de yeso (E) unida a la válvula hasta que la válvula se haya colocado y asegurado. La plantilla de yeso (E) se coloca de manera que quede al ras con la pared acabada. Esto asegura que la válvula esté en la posición correcta para aceptar el regulador.

El orificio en la pared debe ser del mismo tamaño (4-1/2 pulgadas) como la plantilla de yeso (E). Este orificio permite el acceso para el mantenimiento futuro de ser necesario.

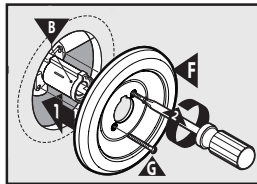
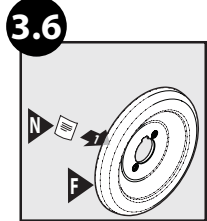


**3.5** Una vez que la válvula esté asegurada en su lugar, quite los tornillos del escudete (G) y la plantilla de yeso (E). **Mantenga los tornillos del escudete (G) para la instalación del escudete (F) y deseche la plantilla de yeso (E).**



Asegúrese de que el clip de retención del cartucho se haya instalado antes de instalar el escudete.

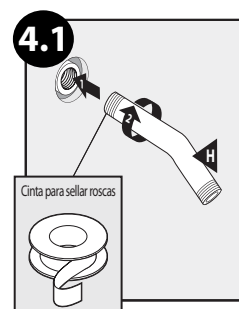
**3.6** Coloque la etiqueta de identificación del producto (N) en la parte posterior del escudete, asegúrese de que la pared esté limpia, coloque el escudete (F) sobre el tubo de tope (B) y luego vuelva a instalar los tornillos (G). Una junta en la parte posterior del escudete proporciona un sello contra la pared.



**Vaya al Paso 4.1**

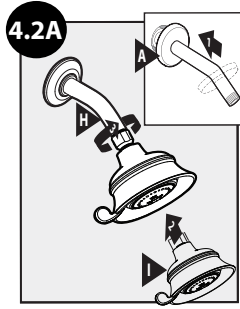
Moen sugiere que realice pruebas de funcionalidad y detección de fugas antes de sellar las paredes. Se recomienda un panel de acceso detrás de la válvula.

## 4. Instalar el regulador Moen para la tina/regadera



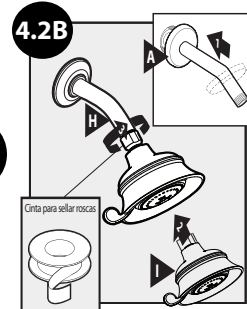
Envuelva cinta para sellar roscas alrededor de las roscas del brazo de la regadera (H) y luego atornilla el brazo en la conexión roscada en la pared.

Si hay una arandela de goma en el interior del adaptador de rosca en el cabezal de la regadera, continúe con el paso 4.2A. Si no hay una arandela de goma, entonces continúe con el paso 4.2B.



### 4.2A Esfera de plástico de la regadera

Selle alrededor del orificio del brazo de la regadera con sellador (masilla) y luego deslice la brida de la regadera (A) sobre el brazo de la regadera (H). Elimine los residuos del brazo de la regadera para asegurar el flujo adecuado. Luego, rosque el cabezal de la regadera (I) en el brazo de la regadera (H).

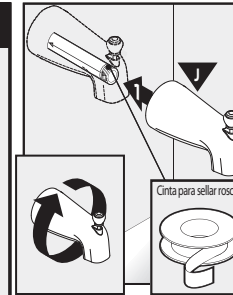
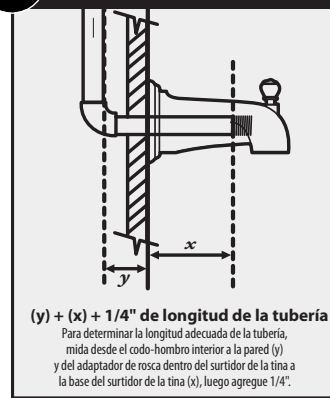


### 4.2B Esfera de metal de la regadera

Selle alrededor del orificio del brazo de la regadera con sellador (masilla) y luego deslice la brida de la regadera (A) sobre el brazo de la regadera (H). Envuelva la cinta para sellar roscas alrededor de las roscas en la parte inferior del brazo de la regadera (H). Elimine los residuos del brazo de la regadera para asegurar el flujo adecuado. Rosque el cabezal de la regadera (I) en el brazo de la regadera (H).

## Instalación del surtidor de la tina con rosca

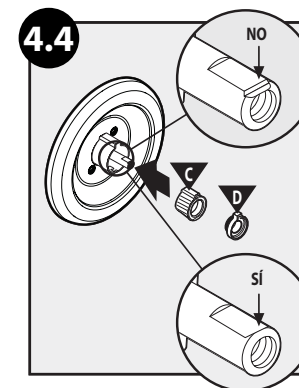
### 4.3 Instalación del surtidor de la tina



Si se trata de una instalación sólo para la regadera, vaya al paso 4.4.

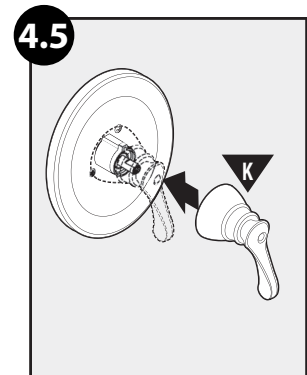
Los surtidores IPS (roscados) están diseñados para atornillarse en un tubo con roscas macho de tubos de 1/2 pulgada. Para determinar la longitud adecuada de la tubería, mida desde el codo-hombro interior a la pared (y) y del adaptador de rosca dentro del surtidor de la tina a la base del surtidor de la tina (x), luego agregue 1/4". Coloque la cinta para sellar roscas alrededor de la rosca de tubos y un sellador (masilla de plomería o masilla) alrededor de la base del tubo para evitar fugas detrás de la pared.

### Orientación del cartucho



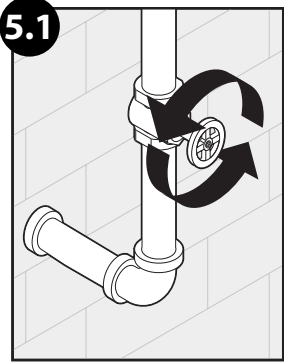
Ahora está listo para colocar la manija. Gire para que la muesca en el extremo del vástago esté boca abajo hacia el drenaje. Inserte el tope clave (C) y el tope del límite ajustable (D) en el tubo de tope como se muestra.

### Instalación de la manija



Coloque la palanca (K) en el cartucho.

## 5. Establecer el tope del límite de temperatura y terminar la instalación de su tina/regadera



Abra el suministro de agua caliente y fría para comprobar si hay fugas y establezca el tope del límite de temperatura.

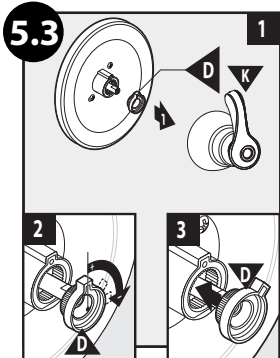


Gire la palanca a la izquierda hasta que el agua esté a la temperatura máxima deseada, sin exceder los 120 grados F (49 grados C). El mantenimiento estacional de la temperatura de salida máxima puede ser necesario debido a los cambios en la temperatura de las aguas subterráneas.

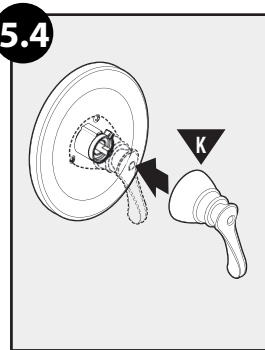
**GIRE LA PALANCA A LA POSICIÓN DE CERRADO EN CUANTO LA TEMPERATURA SE HAYA ESTABLECIDO.**

**Si la temperatura supera los 120 grados, vaya al paso 5.3.**

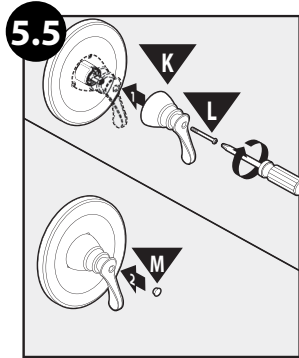
**Si la temperatura es inferior a los 120 grados, vaya al paso 5.4.**



Retire la palanca (K). Tenga en cuenta la posición del tope. Coloque el tope del límite de temperatura ajustable (D) para que la palanca se detenga en esa posición. Esto evita que la palanca o perilla se cambien a una temperatura insegura.



Después de establecer el tope del límite de temperatura ajustable a la posición deseada, vuelva a colocar la palanca (K).



**O** inserte un tornillo de cruz de 2-1/8 pulgadas (L). Apriete el tornillo e inserte el tapón (M).

## Garantía limitada de por vida de Moen

Los productos Moen han sido fabricados bajo las más estrictas normas de calidad y mano de obra. Moen le garantiza al consumidor-comprador original durante todo el tiempo que el consumidor-comprador original sea dueño de su casa (el "Período de Garantía" para los propietarios de vivienda), que este grifo estará libre de fugas y goteo durante el uso normal y que todas las piezas y acabados de este grifo estarán libres de defectos en materiales y mano de obra. Todos los demás compradores (incluyendo compradores para uso industrial, comercial y de negocios) se garantizan por un período de 5 años a partir de la fecha original de compra (el "Período de Garantía" para los no propietarios de vivienda).

Si este grifo llegara a producir una fuga o goteo durante el Período de Garantía, Moen proporcionará SIN COSTO las piezas necesarias para volver a poner el grifo en buen estado de funcionamiento y reemplazará GRATUITAMENTE cualquier pieza o acabado que muestre tener defectos en cuanto a material y mano de obra de fabricación, bajo condiciones normales de instalación, uso y servicio. Las piezas de repuesto se pueden obtener llamando al 1-800-289-6636 (Canadá 1-800-465-6130), o escribiendo a la dirección indicada. El comprobante de compra (recibo original de la venta) del consumidor-comprador original debe acompañar todas las reclamaciones de garantía. Esta garantía no ampara los defectos o daños ocasionados por el uso de otras piezas distintas a las genuinas de Moen. Esta garantía se extiende solamente a los grifos adquiridos después de diciembre de 1995 y entrará en vigor a partir de la fecha de compra que aparece en el recibo del comprador.

Esta garantía es amplia puesto que cubre el reemplazo de todas las piezas y acabados defectuosos. Sin embargo, los daños debidos a errores de instalación, abuso del producto, mal uso del producto o el uso de limpiadores que contengan abrasivos, alcohol u otros solventes orgánicos, ya sean realizados por un contratista, compañía de servicios o usted mismo, están excluidos de esta garantía. Moen no se hará responsable de costos laborales y/o daños producidos durante la instalación, reparación o reemplazo, ni de ningún daño indirecto, incidental o consecuente, pérdidas, daños o gastos de cualquier naturaleza relacionados con este grifo. Salvo lo dispuesto por la ley, esta garantía reemplaza y excluye todas las demás garantías, condiciones y afirmaciones, ya sean expresas o implícitas, legales u otras, incluyendo sin limitación las garantías de comercialización o de adecuación para el uso.

Algunos estados, provincias y países no permiten la exclusión o limitación de daños incidentales o consecuentes, de modo que las limitaciones o exclusiones anteriores pueden no aplicarse a usted. Esta garantía le otorga derechos legales específicos y usted también puede tener otros derechos que cambian de un estado a otro, de una provincia a otra o de un país a otro. Moen le informará el procedimiento a seguir para hacer válida la garantía. Simplemente escriba a Moen Incorporated a la dirección indicada más abajo. Explique el defecto e incluya el comprobante de compra y su nombre, dirección, código de área y número de teléfono.

Moen Incorporated  
25300 Al Moen Drive, North Olmsted, Ohio 44070-8022 U.S.A.

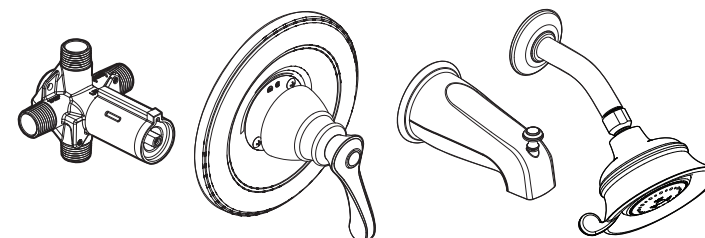
## Directives d'entretien

Pour préserver le fini des pièces métalliques du robinet Moen, leur appliquer une cire non abrasive telle qu'une cire à voiture. Rincer immédiatement le robinet après l'avoir nettoyé avec tout type d'agent nettoyant.

## 6. Après l'installation – Guide de dépannage

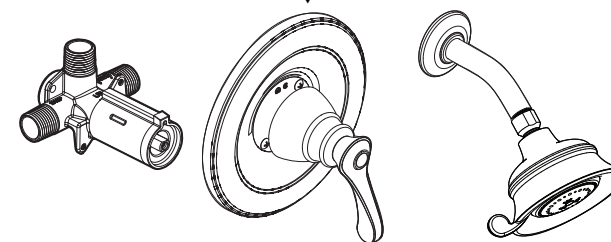
Problème	Cause Possible	Pour diagnostiquer	Solution possible
<b>Eau chaude/froide inversée</b>	Les conduites sont inversées/la cartouche est installée à l'envers	Eau chaude/froide inversée	Faire pivoter la tige de la cartouche de 180° pour que l'encoche soit dirigée vers le drain.
<b>Aucun débit /faible débit d'eau</b>	Au moins une des deux conduites n'est pas ouverte sur l'unité	Aucun débit /faible débit d'eau	Faire tourner les deux soupapes d'alimentation en eau dans le sens antihoraire, à la position ouverte
<b>Fuite ou égouttement du bec</b>	Ceillets non scellés correctement	Fuite/égouttement du bec	Remplacer la cartouche
<b>Eau chaude ou froide seulement / aucune eau froide ou chaude</b>	Bobine d'équilibrage coincée	Eau chaude ou froide seulement / aucune eau froide ou chaude	Remplacer la cartouche
<b>Effet de colonne (l'eau sort de la pomme de douche durant le remplissage en mode baignoire)</b>	Choix de tuyau/ distance entre soupape et pomme de douche inférieure à 46 po / plusieurs coudes / tout ce qui pourrait limiter le débit de la soupape de sortie d'eau.	L'eau sort du bec et de la pomme de douche en même temps	Changer le tuyau pour un tuyau IPS ou en cuivre / l'espace de la pomme de douche et la soupape doit être d'au moins 46 po / changer ou enlever tout ce qui fait obstacle
	Restriction du débit entre la soupape et le bec de baignoire	L'eau sort du bec et de la pomme de douche en même temps, causant une restriction	Enlever le bec de baignoire et rincer pour enlever les débris – Remplacer conduite ou raccords trop petits
	La soupape est installée à l'envers	Enlever la cartouche et vérifier que le trou de sortie est au bon endroit (doit être vers le bas). Le mot « Up » est sur le dessus de la soupape.	Enlever la soupape et réinstaller dans le bon sens.
<b>Plage de températures limitée</b>	La poignée (plus fréquente dans les modèles à bouton) est installée à l'envers.	À la position fermée, on peut tourner la poignée dans les sens horaire et antihoraire	Enlever la poignée, la faire pivoter de 180°, la réinstaller
	Le limiteur de température n'est pas à la position appropriée	Enlever la poignée et voir l'étape 5.3	Positionner le limiteur de température à la position de température voulue
<b>Impossible d'installer la poignée/ poignée frotte sur la rosace</b>	La soupape est installée trop loin derrière le mur fini	Impossible d'installer la poignée	Contactez Moen pour obtenir de l'aide.
<b>La poignée est difficile à tourner</b>	La tige de la cartouche pivote difficilement.	Mouvement difficile de la poignée	Remplacer la cartouche ou lubrifier

Pour obtenir de l'aide, contacter Moen au :  
Canada : 1-800-465-6130 ou visiter [www.moen.ca](http://www.moen.ca)  
É.-U. : 1-800-289-6636 ou visiter [www.moen.com](http://www.moen.com)



Garniture de soupape de douche/baignoire à une poignée

Garniture de soupape de douche à une poignée seulement



## Directives d'installation

Les styles et les pièces peuvent varier selon le modèle choisi.



INS2152A

### Pour obtenir un soutien de garantie

Numéro de modèle \_\_\_\_\_

Date d'installation \_\_\_\_\_

Nous vous remercions d'avoir choisi Moen.

**Veillez d'abord contacter Moen**  
 en cas de problèmes avec l'installation, ou pour obtenir toute  
 pièce manquante ou de rechange

**CANADA**  
**1-800-465-6130**  
 Du lundi au vendredi : De 7 h 30 à 20 h (HE)  
**www.moen.ca**

**É.-U. :**  
**1-800-BUY-MOEN**  
**1-800-289-6636**  
 Du lundi au vendredi : De 8 h à 20 h (HE)  
 Samedi : De 9 h à 20 h 30 h (HE)  
**www.moen.com**

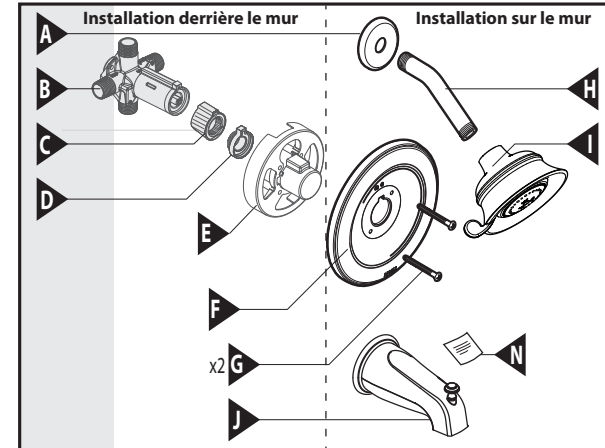
## Table des matières

Pièces de douche/baignoire fournies .....	F3
Pièces fournies pour douche seulement .....	F3
Modèles de plomberie brute	
Cuivre .....	F4
IPS .....	F4
PEX .....	F5
PVC-C .....	F5
Outils utiles .....	F4-F5
Schéma d'installation .....	F6
Installations pour mur mince, épais ou en plâtre .....	F7-F8
Installation de la garniture .....	F8-F9
Définition du limiteur de température .....	F10
Garantie .....	F11
Directives d'entretien .....	F12
Guide de dépannage .....	F12

**Visiter Moen.com pour obtenir les diagrammes de pièces  
 particulières du produit.**

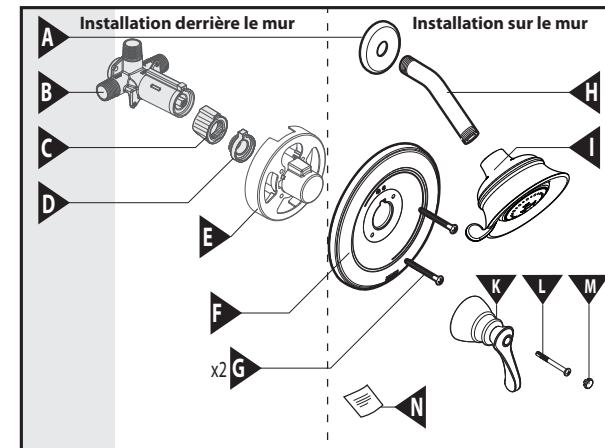
*Les styles et les pièces peuvent varier selon le modèle choisi.*

## Pièces de douche/baignoire fournies



- |  |   |
|--|---|
| <b>A.</b> Bride de bras de douche              | <b>I.</b> Pomme de douche                       |
| <b>B.</b> Soupape à 4 orifices et tube d'arrêt | <b>J.</b> Bec de baignoire                      |
| <b>C.</b> Butée de clé                         | <b>N.</b> Étiquette d'identification de produit |
| <b>D.</b> Limiteur de température réglable     |   |
| <b>E.</b> Arrêt d'enduit                       |   |
| <b>F.</b> Rosace                               |   |
| <b>G.</b> Vis de rosace (2 3/16 po)            |   |
| <b>H.</b> Bras de douche                       |   |

## Pièces fournies pour douche seulement



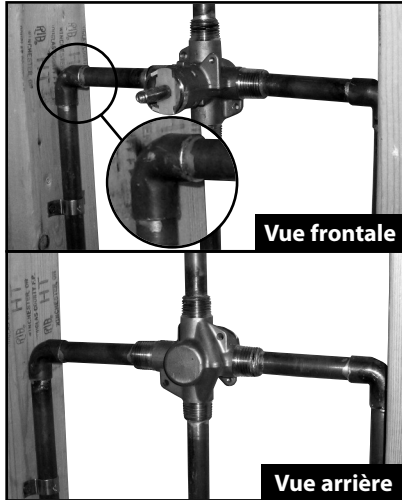
- |  |   |
|--|---|
| <b>A.</b> Bride de bras de douche              | <b>I.</b> Pomme de douche                           |
| <b>B.</b> Soupape à 4 orifices et tube d'arrêt | <b>K.</b> Poignée à levier                          |
| <b>C.</b> Butée de clé                         | <b>L.</b> Vis à tête hexagonale (levier (2 1/8 po)) |
| <b>D.</b> Limiteur de température réglable     | <b>M.</b> Capuchon de levier                        |
| <b>E.</b> Arrêt d'enduit                       | <b>N.</b> Étiquette d'identification de produit     |
| <b>F.</b> Rosace                               |   |
| <b>G.</b> Vis de rosace (2 3/16 po)            |   |
| <b>H.</b> Bras de douche                       |   |



# 1. Détermination du type d'installation de la plomberie brute existante

Avant de remplacer la soupape de plomberie, voir ci-dessous les quatre modèles de plomberie les plus courants. Les raccords de plomberie brute qui leur sont propres ne sont pas fournis. Ils seront peut-être nécessaires pour l'installation. Enlever la poignée et la garniture de soupape existantes avant de remplacer votre soupape. **Veillez vous conformer aux codes de plomberie et de construction locaux.**

## Cuivre

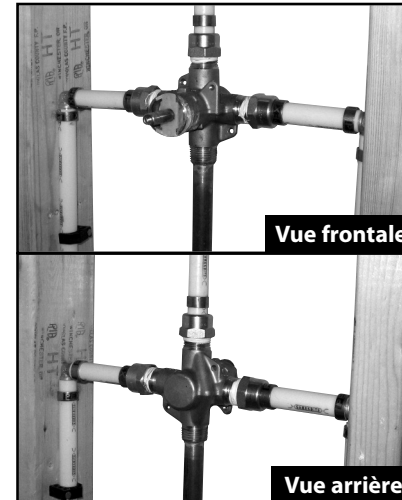


### Outils utiles

Par mesure de sécurité et pour faciliter l'installation, Moen suggère l'utilisation des outils suivants.

- Lunettes de sécurité
- Ruban à mesurer
- Chalumeau
- Brosse métallique
- Tournevis à pointe cruciforme
- Coupe-tube
- Trousse de soudure sans plomb
- Thermomètre
- Ruban d'étanchéité pour joints
- Clé à molette Crescent
- Pâte à joints
- Lampe de poche
- Scie à guichet

## PEX

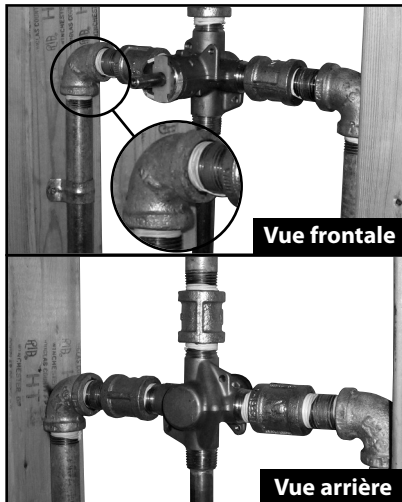


### Outils utiles

Par mesure de sécurité et pour faciliter l'installation, Moen suggère l'utilisation des outils suivants.

- Lunettes de sécurité
- Ruban à mesure
- Pâte à joints
- Clé à molette Crescent
- Ruban d'étanchéité pour joints filetés
- Tournevis à pointe cruciforme
- Pince à sertir circulaire
- Thermomètre
- Coupe-tube
- Lampe de poche
- Scie à guichet

## IPS – (tuyau en acier galvanisé/raccords filetés)

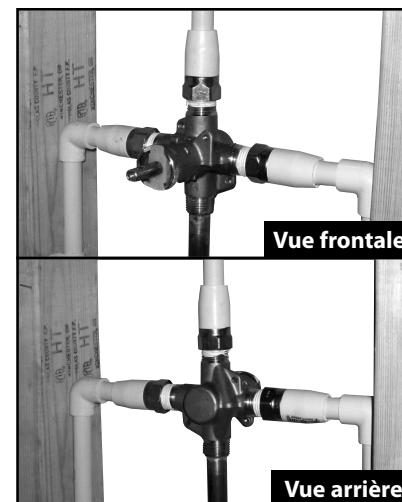


### Outils utiles

Par mesure de sécurité et pour faciliter l'installation, Moen suggère l'utilisation des outils suivants.

- Lunettes de sécurité
- Ruban à mesurer
- Thermomètre
- Clé à molette Crescent
- Ruban d'étanchéité pour joints filetés
- Tournevis à pointe cruciforme
- Clé anglaise
- Pâte à joints
- Lampe de poche
- Scie à guichet

## PVC-C



### Outils utiles

Par mesure de sécurité et pour faciliter l'installation, Moen suggère l'utilisation des outils suivants.

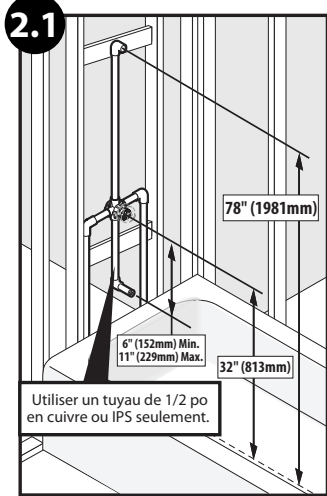
- Lunettes de sécurité
- Ruban à mesurer
- Pâte à joints
- Clé à molette Crescent
- Ruban d'étanchéité pour joints filetés
- Tournevis à pointe cruciforme
- Ciment à PVC-C
- Thermomètre
- Nettoyeur de PVC-C
- Coupe-tube
- Lampe de poche
- Scie à guichet

**⚠ MISE EN GARDE – COUPER L'ALIMENTATION EN EAU FROIDE ET EN EAU CHAUDE AVANT D'ENLEVER LE ROBINET EXISTANT OU DE DÉMONTER LA SOUPAPE EXISTANTE. OUVRIR LE ROBINET POUR ÉLIMINER LA PRESSION D'EAU ET VOUS ASSURER QUE L'ALIMENTATION EN EAU A ÉTÉ COMPLÈTEMENT COUPÉE.**

**⚠ MISE EN GARDE – COUPER L'ALIMENTATION EN EAU FROIDE ET EN EAU CHAUDE AVANT D'ENLEVER LE ROBINET EXISTANT OU DE DÉMONTER LA SOUPAPE EXISTANTE. OUVRIR LE ROBINET POUR ÉLIMINER LA PRESSION D'EAU ET VOUS ASSURER QUE L'ALIMENTATION EN EAU A ÉTÉ COMPLÈTEMENT COUPÉE.**

## 2. Schéma d'installation - Mesures pour un rendement idéal de la douche/baignoire

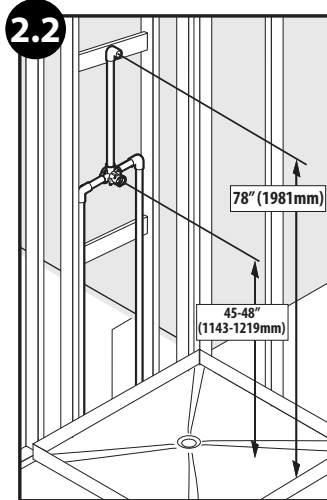
Le fait d'installer ce produit sans respecter les mesures recommandées peut causer des problèmes, comme l'écoulement de l'eau par la pomme de douche durant le mode de remplissage de la baignoire.



### Douche/Baignoire

Placer le corps de la soupape à 32 po du plancher ou du fond de la baignoire. Le bras de douche doit être placé à 78 po au-dessus du fond de la baignoire (l'installation recommandée du bras de douche comporte un raccord de coude à bride – **non inclus** – et fixé à un support de bois). Le bec de la baignoire doit être positionné au minimum à 6 po et au maximum à 11 po sous la soupape. Pour installer un bec de baignoire fileté, le raccorder à la soupape à l'aide d'un tuyau de 1/2 po ou d'un tube en cuivre de 1/2 po doté d'un adaptateur fileté. Pour installer un bec de baignoire à glissement rapide, le raccorder à la soupape uniquement à l'aide d'un tube en cuivre – aucun adaptateur fileté requis.

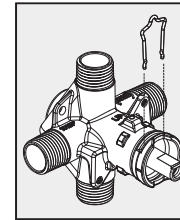
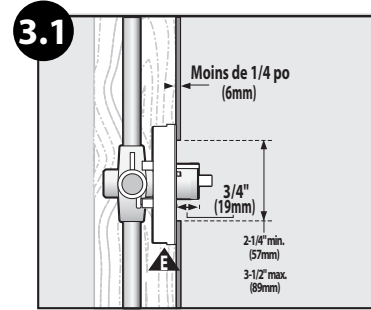
Voir étape 4.3 pour connaître la longueur du tube de bec de baignoire.



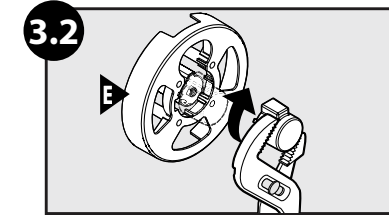
### Douche seulement

Le centre de la soupape doit être situé de 45 à 48 po au-dessus du plancher de la douche. Le bras de douche doit être placé à 78 po au-dessus du plancher de la douche (l'installation recommandée du bras de douche comporte un raccord de coude à bride – **non inclus** – et fixé à un support de bois).

## 3. Installation de la soupape



Vous assurer que l'étrier de la cartouche est installé avant d'installer la rosace.

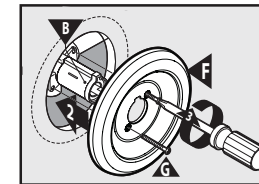
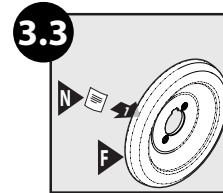


### Installation dans un mur mince Pour les murs de moins de 1/4 po

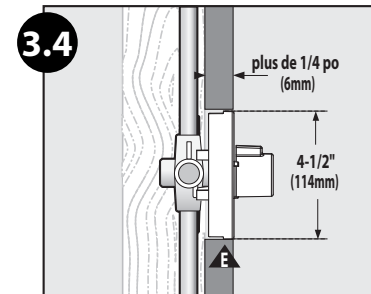
**3.1 La méthode du « mur mince » est utilisée lorsque l'épaisseur du mur de la douche/baignoire est inférieure à 1/4 po (comme dans le cas des cabines de baignoire en fibre de verre) et que ce mur constituera le support principal de la soupape.** L'enduit de plâtre (E) **reste fixé à la soupape**. Un trou de 2 1/4 à 3 1/2 po de diamètre doit être coupé dans le mur pour cette méthode.

**3.2** Casser le couvercle protecteur en plastique noir à l'aide de pinces et le faisant pivoter dans le sens horaire.

**3.3** Enlever les vis de la rosace (G), placer l'étiquette d'identification du produit (N) **au dos de la rosace**, en vous assurant que le mur est propre, placer la rosace (F) sur le tube d'arrêt (B), puis réinstaller les vis (G). Un joint d'étanchéité situé au dos de la rosace fournit l'étanchéité nécessaire avec le mur fini.



**Aller à l'étape 4.1**

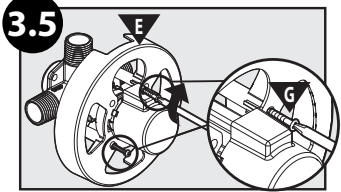


### Installation dans un mur épais Pour les murs de plus de 1/4 po

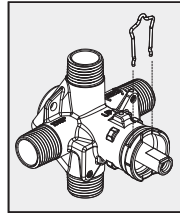
**3.4 La méthode d'installation sur un « mur épais » est utilisée lorsque l'épaisseur des parois de la douche/baignoire est supérieure à 1/4 po.** Les murs épais sont normalement fabriqués à partir de matériaux comme les panneaux de ciment, la cloison sèche, le carrelage, etc. La soupape est fixée à l'aide de courroies (non incluses) retenant les conduites d'entrée sur les éléments d'ossature (2 x 4), comme illustré aux étapes 2.1 et 2.2. La soupape est aussi dotée de trous pour la visser sur une traverse de cadre fixé derrière la soupape, si désiré.

Fixer l'enduit de plâtre (E) sur le corps de la soupape en utilisant des vis de rosace de 2 3/16 po (G). Garder l'enduit de plâtre (E) fixé sur la soupape jusqu'à ce qu'elle soit positionnée et bien fixée. L'enduit de plâtre (E) est positionné pour être de niveau avec le mur fini. Ainsi, la soupape sera à la bonne position pour y installer la garniture plus tard.

Le trou dans le mur doit être de la même taille (4 1/2 po) que l'enduit de plâtre (E). Ce trou offre un accès en cas de besoin de toute réparation future.

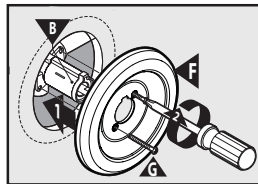
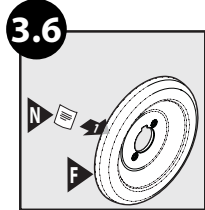


**3.5** Lorsque la soupape est bien fixée, enlever les vis de rosace (G) et l'enduit de plâtre (E). **Garder les vis de rosace (G) pour l'installation de la rosace (F) et jeter l'enduit de plâtre (E).**



Vous assurer que l'étrier de la cartouche est installé avant d'installer la rosace.

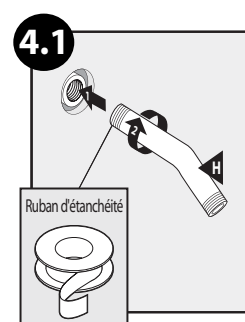
**3.6** Placer l'étiquette d'identification du produit (N) **au dos de la rosace**, en vous assurant que le mur est propre, placer la rosace (F) sur le tube d'arrêt (B), puis réinstaller les vis (G). Un joint d'étanchéité situé au dos de la rosace fournit l'étanchéité nécessaire au mur.



**Aller à l'étape 4.1**

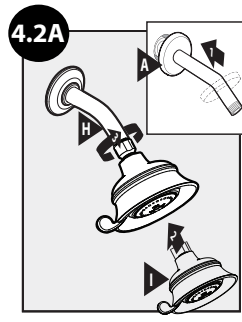
Moen suggère de procéder à un test pour confirmer le bon fonctionnement de l'installation et pour déceler la présence de toute fuite, avant de fermer les murs. Il est recommandé d'avoir un panneau d'accès derrière la soupape.

#### 4. Installation de la garniture de douche/baignoire Moen



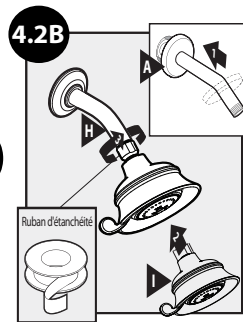
Envelopper de ruban d'étanchéité pour joints filetés les filetages du bras de douche (H), puis visser le bras dans le raccord fileté du mur.

S'il y a une rondelle en caoutchouc dans l'adaptateur fileté de la pomme de douche, passer à l'étape 4.2A. S'il n'y a pas de rondelle en caoutchouc, passer à l'étape 4.2B.



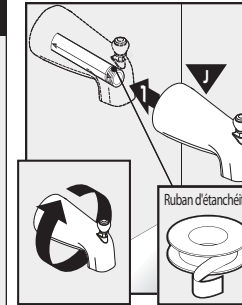
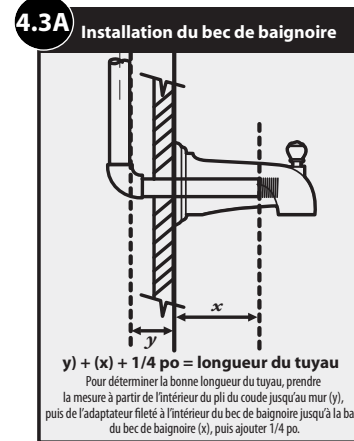
**4.2A Sphère de douche en plastique**  
Sceller le pourtour de l'orifice du bras de douche avec un agent scellant (calfeutrage), puis faire glisser la bride de douche (A) sur le bras de douche (H). Enlever tous débris du bras de douche pour vous assurer que le débit ne sera pas obstrué. Puis, visser simplement la pomme de douche (I) sur le bras de douche (H).

**OU**



**4.2B Sphère de douche métallique**  
Sceller le pourtour de l'orifice du bras de douche avec un agent scellant (calfeutrage), puis faire glisser la bride de douche (A) sur le bras de douche (H). Envelopper de ruban d'étanchéité pour joints filetés les filetages du bas du bras de douche (H). Enlever tous débris du bras de douche pour vous assurer que le débit ne sera pas obstrué. Visser la pomme de douche (I) sur le bras de douche (H).

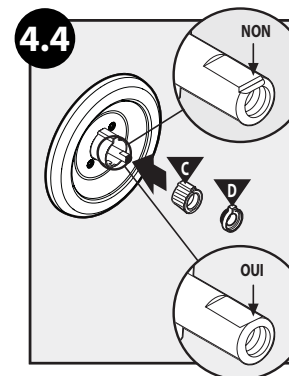
#### Installation d'un bec de baignoire fileté



**S'il s'agit de l'installation pour douche seulement, passer à l'étape 4.4.**

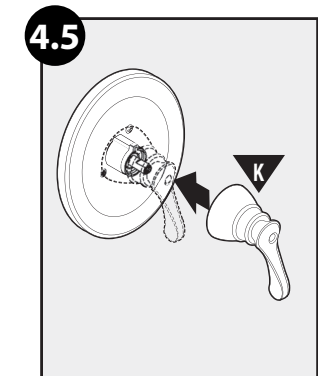
Les becs IPS (filetés) sont conçus pour se visser sur un tuyau avec filetages de tuyau mâle de 1/2 po. Pour déterminer la bonne longueur du tuyau, prendre la mesure à partir de l'intérieur du pli du coude jusqu'au mur (y), puis de l'adaptateur fileté à l'intérieur du bec de baignoire jusqu'à la base du bec de baignoire (x), puis ajouter 1/4 po. Placer le ruban d'étanchéité fileté autour du filetage du tuyau et un agent scellant (mastic de plombier ou calfeutrage) autour de la base du tuyau pour prévenir les fuites derrière le mur.

#### Orientation de la cartouche



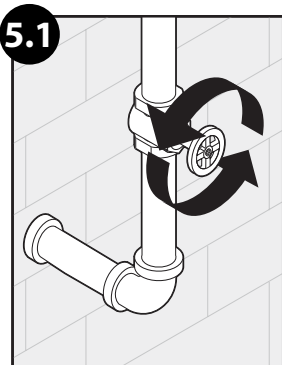
Maintenant, vous êtes prêt à installer la poignée. La faire pivoter pour que l'encoche à l'extrémité de la tige soit orientée vers le bas, vers le drain. Insérer la clé de butée (C), puis le limiteur réglable (D) dans le tube d'arrêt, comme illustré.

#### Installation de la poignée

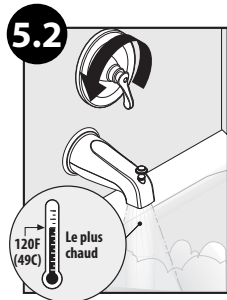


Placer le levier (K) sur la cartouche.

## 5. Réglage du limiteur de température et finalisation de l'installation de la douche/baignoire



Ouvrir l'alimentation en eau chaude et en eau froide pour déceler la présence de toute fuite et régler le limiteur de température.

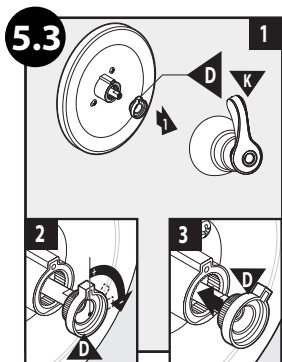


Faire pivoter le levier dans le sens antihoraire jusqu'à ce que la température maximale désirée soit atteinte - ne pas dépasser 49 °C (120 °F). Le réglage saisonnier de la température maximale de sortie pourrait être requis vu le changement de la température de l'eau souterraine.

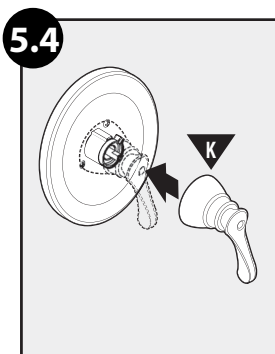
**FAIRE PIVOTER LE LEVIER VERS LA POSITION FERMÉE UNE FOIS RÉGLÉE LA TEMPÉRATURE DÉSIRÉE.**

**Si la température dépasse 49 °C, passer à l'étape 5.3.**

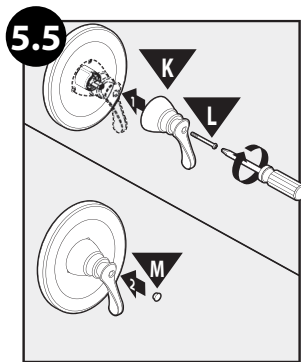
**Si la température est inférieure à 49 °C, passer à l'étape 5.4.**



Enlever le levier (K). Veuillez noter la position du limiteur. Placer le limiteur de température réglable (D) pour établir le point de pivotement maximum du levier à cet endroit. Ainsi, le levier ou le bouton ne pourra pas être tourné jusqu'à une température non sécuritaire.



Après avoir réglé le limiteur de température à la position voulue, fixer de nouveau le levier (K).



OU insérer une vis à tête hexagonale de 2 1/8 po (L). Serrer la vis et insérer le capuchon (M).

## Garantie à vie limitée Moen

Les produits Moen ont été fabriqués selon les normes de qualité et de main-d'œuvre les plus élevées. Moen garantit à la personne ayant acheté le robinet originalement, aussi longtemps qu'elle est propriétaire du domicile où a été installé le robinet (la « Période de garantie » pour propriétaires), que ce robinet sera libre de toute fuite ou d'égouttement pendant son usage normal et que toutes les pièces et tous les finis de ce robinet ne présenteront aucun défaut de matériel et de main-d'œuvre en usine. Tout autre achat (y compris les achats à des fins industrielles, commerciales et d'affaires) sera garanti pendant cinq (5) ans à compter de la date d'achat originale (la « Période de garantie » pour les non-propriétaires).

Si ce robinet fuit ou dégoutte durant la « Période de garantie », Moen fournira GRATUITEMENT les pièces de rechange requises pour remettre le robinet en parfait état et remplacera GRATUITEMENT toute pièce ou tout fini dont le matériel, la fabrication ou la main-d'œuvre, lors d'une installation, d'un usage et d'un service normaux, s'avère défectueux. On peut obtenir les pièces de rechange en composant le 1 800 465-6130 ou en écrivant à l'adresse indiquée ci-dessous ce livret. Le reçu de vente original du consommateur ayant acheté le robinet initialement doit accompagner toute réclamation. Les défauts ou les dommages causés par l'utilisation de pièces non fournies par Moen ne sont pas couverts par cette garantie. Cette garantie s'applique uniquement aux robinets achetés après décembre 1995 et entre en vigueur à compter de la date d'achat indiquée sur le reçu de caisse du client.

Cette garantie est vaste, car elle couvre le remplacement de toute pièce ou de tout fini défectueux. Cependant, les dommages causés par une erreur d'installation, un abus du produit, une mauvaise utilisation du produit, l'immersion de l'appareil de filtration ou l'utilisation de nettoyeurs contenant des agents abrasifs, de l'alcool ou des solvants organiques, qu'ils soient utilisés par un entrepreneur, une entreprise de service ou le consommateur, sont exclus de cette garantie. Moen n'est pas responsable des frais de main-d'œuvre ni de tous dommages survenus durant l'installation, la réparation ou le remplacement, ni des dommages indirects ou consécutifs, des pertes, des blessures ou des coûts connexes à ce robinet. Sauf lorsque prévu par la loi, cette garantie remplace et exclut toutes les autres garanties et conditions, qu'elles soient exprimées ou sous-entendues, obligatoires ou autres, y compris sans restriction, celle de commercialisation ou d'aptitude d'utilisation.

Certains pays, États et certaines provinces, ne permettent aucune exclusion, ni limitation suite aux dommages indirects ou consécutifs. Cette garantie accorde des droits juridiques et il est possible que d'autres droits soient applicables selon l'État, la province ou le pays. Moen avisera le consommateur de la procédure à suivre pour soumettre une réclamation. Il suffit d'écrire à Moen incorporée à l'adresse indiquée ci-dessous, Expliquer le défaut et inclure une preuve d'achat, inscrire son nom, adresse ainsi que l'indicatif régional et numéro de téléphone. Moen inc.

Moen inc.  
25300 Al Moen Drive, North Olmsted, Ohio 44070-8022 U.S.A.