



Buy it for looks. Buy it for life.®

DESCRIPTION

- Metal construction with various finishes identified by suffix
- Pressure balancing cycle valve design with an adjustable temperature limit stop
- 1/2" IPS connections
- Includes showerhead, arm, flange, and diverter tub spout

OPERATION

- Lever style handle
- Handle operates counterclockwise through a 270° arc with off at 6 o'clock and maximum hot at the 9 o'clock position. Shut off in clockwise direction
- Adjustable temperature limit stop to control maximum hot water temperature
- Pressure balancing mechanism maintains selected discharge temperature to ± 2°

FLOW

- Showerhead is limited to 2.5 gpm (9.5 L/min) for models prior to 10/2013
- EP suffix models and models after 10/2013, showerheads limited to 2.0 gpm (7/6 L/min) maximum, and 1.5 gpm (5.7 L/min) minimum at 45psi

CARTRIDGE

- 1222 cartridge design
- Nonmetallic/nonferrous and stainless steel materials
- Accommodates back to back installations

STANDARDS

- Third party certified to CSA B-125.1, ASME A112.18.1 and all applicable requirements referenced therein

- ADA for lever handles

- Meets WaterSense® criteria for EP suffix models and models after 10/2013
- Meets New York City Local Law No. 57 for EP suffix model and models after 10/2013

WARRANTY

- Lifetime limited warranty against leaks, drips and finish defects to the original consumer purchaser
- 5 year warranty if used in commercial installations

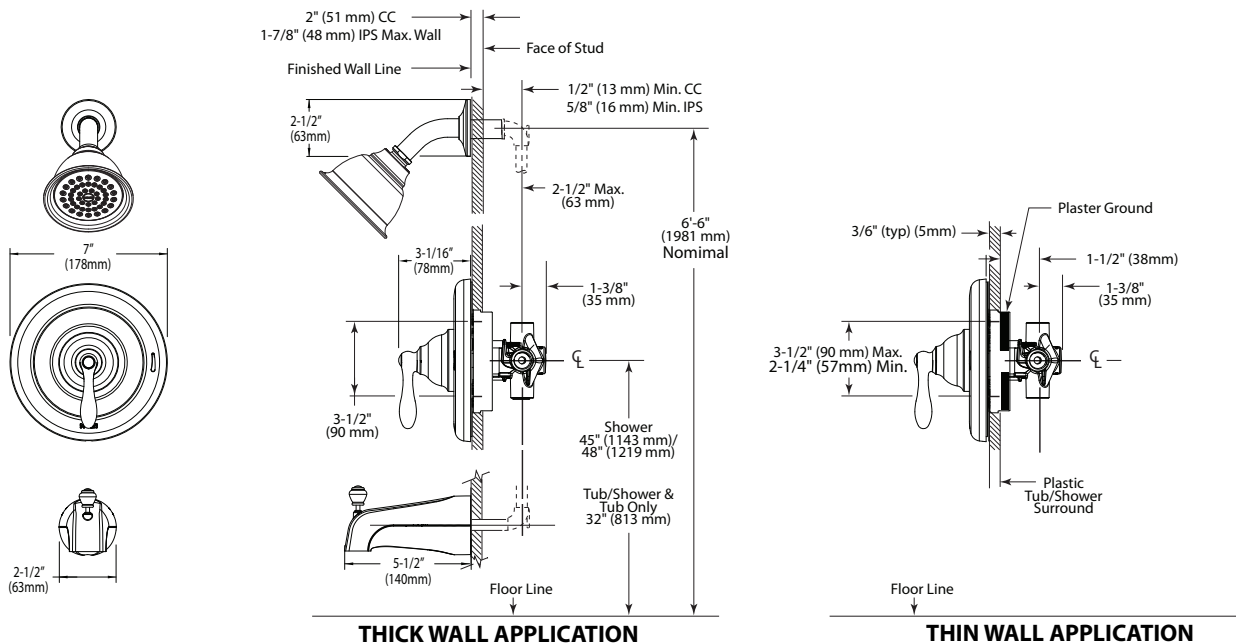
Specifications



CALDWELL™
Single-Handle Tub/Shower

Models: 82496 series

Discontinued Model: 82496BN



CRITICAL DIMENSIONS

(DO NOT SCALE)

FOR MORE INFORMATION CALL: 1-800-BUY-MOEN

www.moen.com