

FAUCET DESCRIPTION

- Chrome plated brass construction
- Supplied with 9" spout
- 1/2" IPS connections will accept standard ball nose connection for 3/8" tubing
- Includes Protégé Side Spray

OPERATION

- Lever style handle
- Temperature controlled by 180° arc of handle travel
- Will operate with less than 5lbs. of force

FLOW

- Aerator is limited to 2.2 gpm max (8.3 L/min)

CARTRIDGE

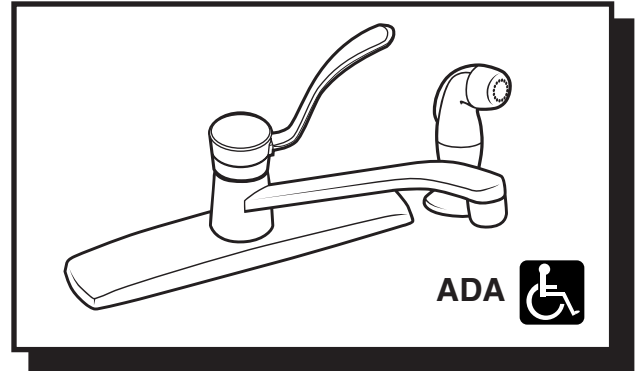
- 1225 cartridge design
- Nonmetallic/nonferrous and stainless steel material
- Is capable of correcting reversed piping and can accommodate back to back installations

STANDARDS

- The faucet is third party certified by CSA to meet the following: CSA B-125, ASME A112.18.1M and all applicable requirements referenced therein and complies with the applicable requirements of ANSI A117.1
- Certified to ANSI/NSF 61/9
- Complies with California Proposition 65 and with the Federal Safe Water Drinking Act

WARRANTY

- Lifetime limited warranty against leaks, drips and finish defects to the original consumer purchaser
- 5 year warranty if used in commercial installations

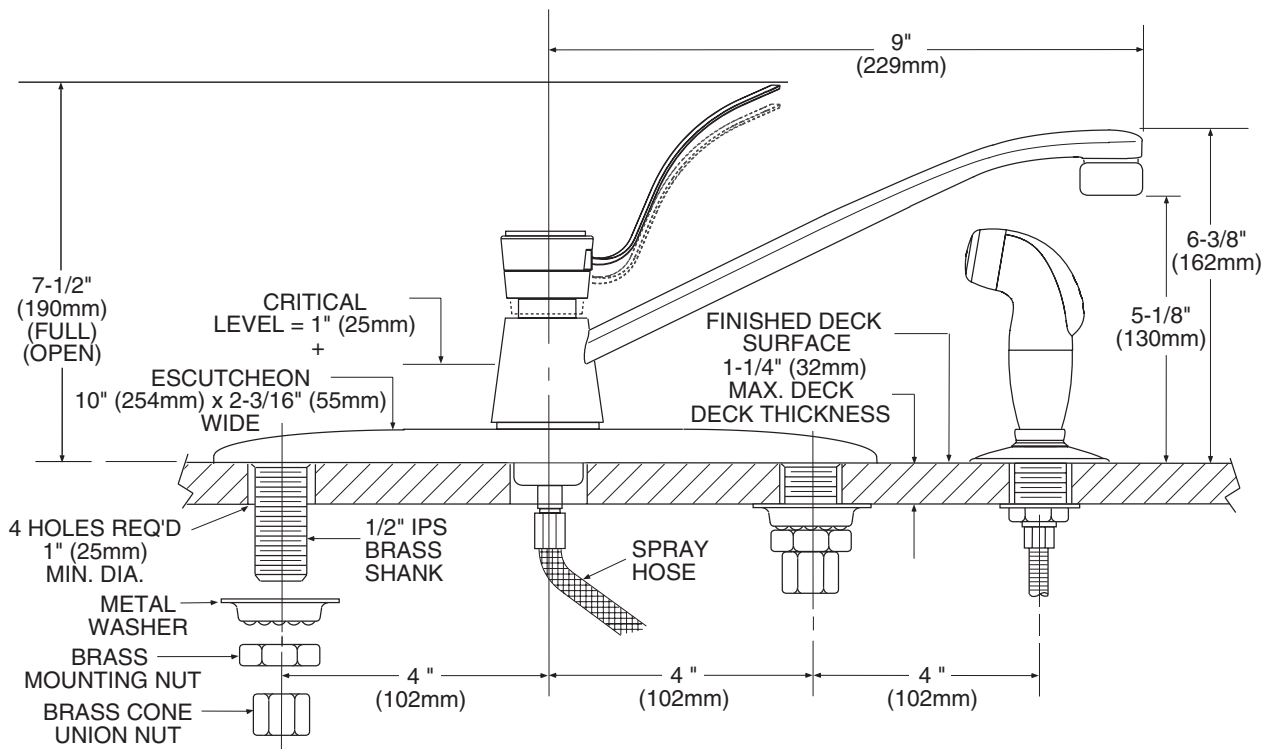


LEGEND®
Single-Handle Kitchen Faucet
w/Protégé Side Spray

Model: 7310

NOTE: See reverse side
for illustrated parts

NOTE: DESIGNED TO INSTALL
THRU 4 HOLES 1" (25mm) MIN. DIA.
AND 4" (102mm) ON CENTER



CRITICAL DIMENSIONS

(DO NOT SCALE)

FAUCET DESCRIPTION

- Chrome plated brass construction
- Supplied with 9" spout
- 1/2" IPS connections will accept standard ball nose connection for 3/8" tubing
- Includes Protégé Side Spray

OPERATION

- Lever style handle
- Temperature controlled by 180° arc of handle travel
- Will operate with less than 5lbs. of force

FLOW

- Aerator is limited to 2.2 gpm max (8.3 L/min)

CARTRIDGE

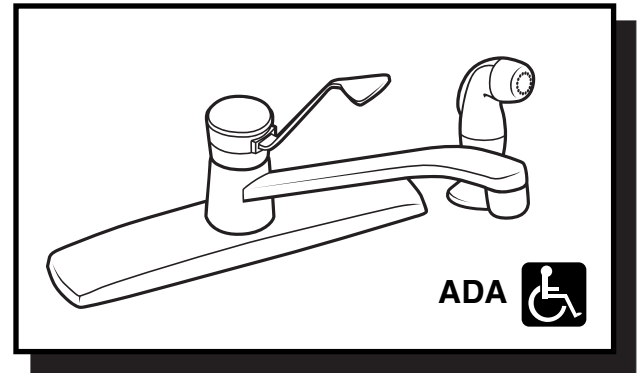
- 1225 cartridge design
- Nonmetallic/nonferrous and stainless steel material
- Is capable of correcting reversed piping and can accommodate back to back installations

STANDARDS

- The faucet is third party certified by CSA to meet the following: CSA B-125, ASME A112.18.1M and all applicable requirements referenced therein and complies with the applicable requirements of ANSI A117.1
- Certified to ANSI/NSF 61/9
- Complies with California Proposition 65 and with the Federal Safe Water Drinking Act

WARRANTY

- Lifetime limited warranty against leaks, drips and finish defects to the original consumer purchaser
- 5 year warranty if used in commercial installations

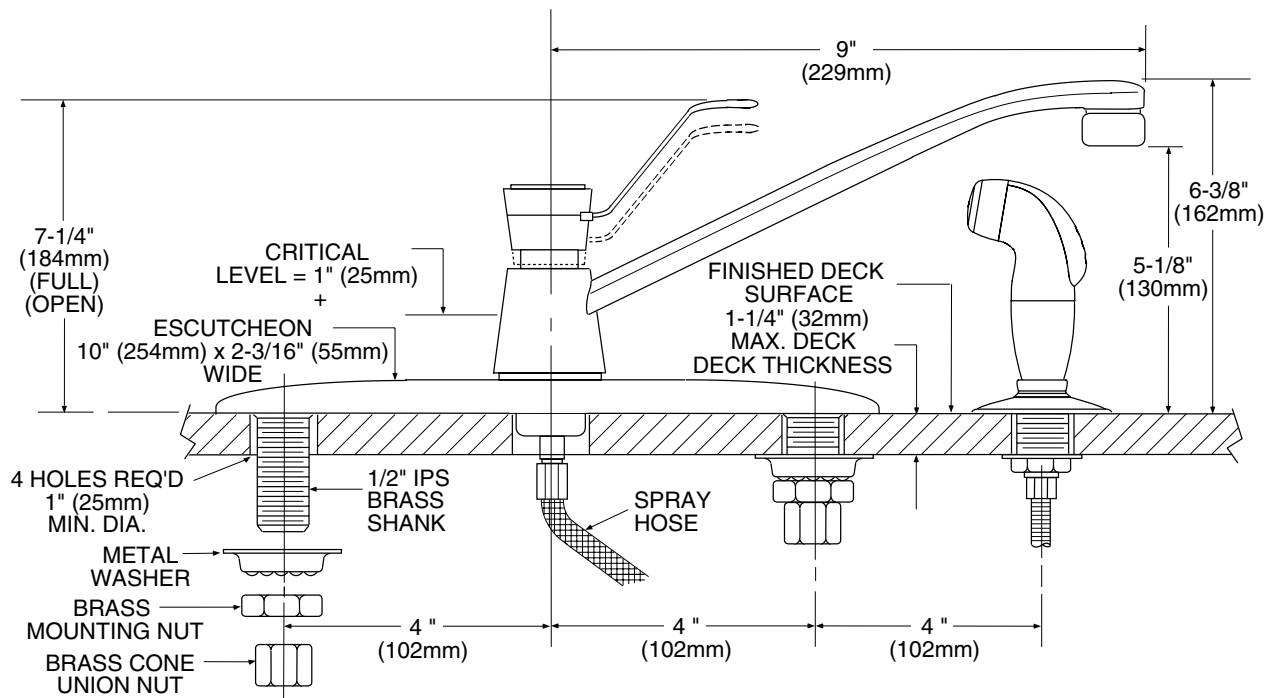


LEGEND® Single-Handle Kitchen Faucet w/Protégé Side Spray

Model: 7310

**NOTE: See reverse side
for illustrated parts**

**NOTE: DESIGNED TO INSTALL
THRU 4 HOLES 1" (25mm) MIN. DIA.
AND 4" (102mm) ON CENTER**



CRITICAL DIMENSIONS

(DO NOT SCALE)