



Buy it for looks. Buy it for life.®

# Specifications

*There is more than 1 version of this model.  
Page down to identify the version you have.*

## DESCRIPTION

- Metal construction with various finishes identified by suffix
- 1/2" IPS connections
- Includes metal pop-up waste assembly

## OPERATION

- Lever style handles
- Maximum handle(s) rotation angle is 90° to full on
- Rotate hot side counterclockwise to open (clockwise to close)
- Rotate cold side clockwise to open (counterclockwise to close)


## FLOW

- Flow is limited to 1.5 gpm max (7.6L/min)

## CARTRIDGE

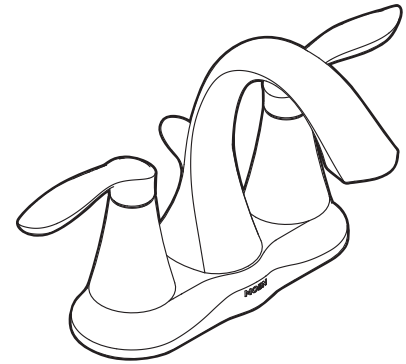
- 1234 cartridge design
- Nonmetallic and stainless steel material

## STANDARDS

- Third party certified to WaterSense®, ASME A112.18.1/CSA B125.1, and all applicable requirements referenced therein
- Certified to ANSI/NSF 61/9 & 372
- Contains no more than 0.25% weighted average lead content
- Complies with California Proposition 65 and with the Federal Safe Drinking Water Act
- **ADA**  for lever handles

## WARRANTY

- Lifetime limited warranty against leaks, drips and finish defects to the original consumer purchaser
- 5 year warranty if used in commercial installations



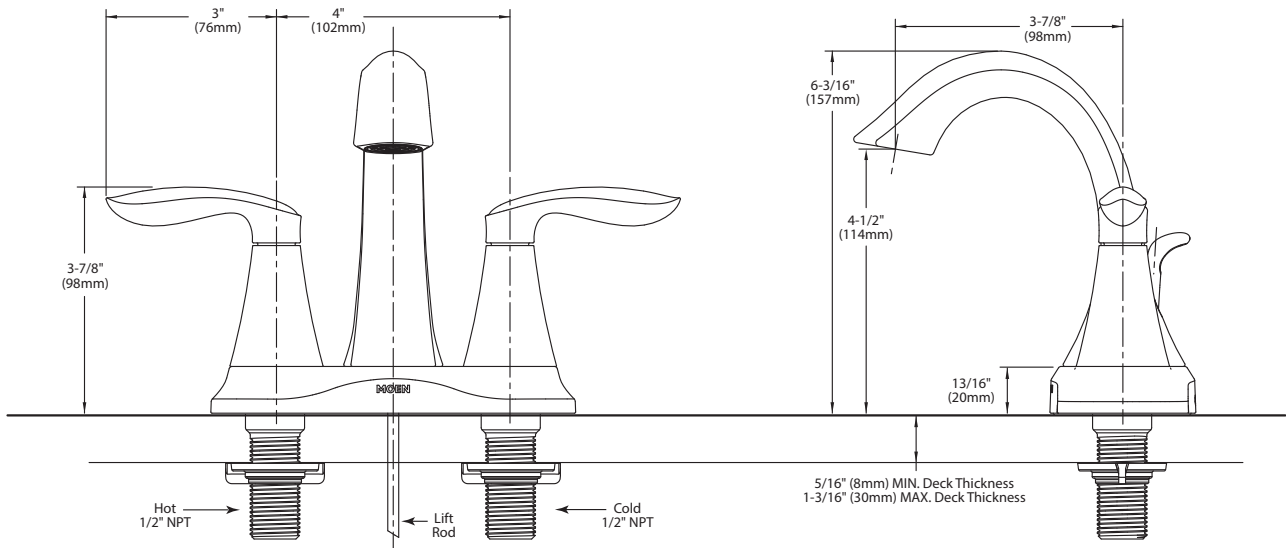
## EVA™ 4" Lavatory Faucet with Metal Waste Assembly

**Models:** 6410 series

**Bulk Models:** 66410, 66411\*  
**(Bulk packed 6 per carton),  
50/50 waste assembly**

\*Includes hot (red) and cold (blue) indicators.

**NOTE:** THIS FAUCET IS DESIGNED TO BE  
INSTALLED THRU 3 HOLES, 1" MIN. DIA.



## CRITICAL DIMENSIONS

(DO NOT SCALE)



Buy it for looks. Buy it for life.®

# Specifications

## DESCRIPTION

- Metal construction with various finishes identified by suffix
- 1/2" IPS connections
- Includes metal pop-up waste assembly

## OPERATION

- Lever style handles
- Maximum handle(s) rotation angle is 90° to full on
- Rotate hot side counterclockwise to open (clockwise to close)
- Rotate cold side clockwise to open (counterclockwise to close)

## FLOW


- Flow is limited to 1.5 gpm max (5.7L/min) at 60 psi, for products made before October 2008 flow is limited to 2.2 gpm max (8.3 L/min)

## CARTRIDGE

- 1224 cartridge design
- Nonmetallic and stainless steel material

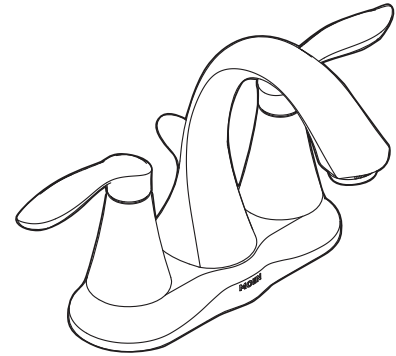
## STANDARDS

- Third party certified to WaterSense,® ASME A112.18.1/CSA B125.1, and all applicable requirements referenced therein
- Certified to ANSI/NSF 61/9 & 372
- Contains no more than 0.25% weighted average lead content
- Complies with California Proposition 65 and with the Federal Safe Drinking Water Act

- **ADA**  for lever handles

## WARRANTY

- Lifetime limited warranty against leaks, drips and finish defects to the original consumer purchaser
- 5 year warranty if used in commercial installations



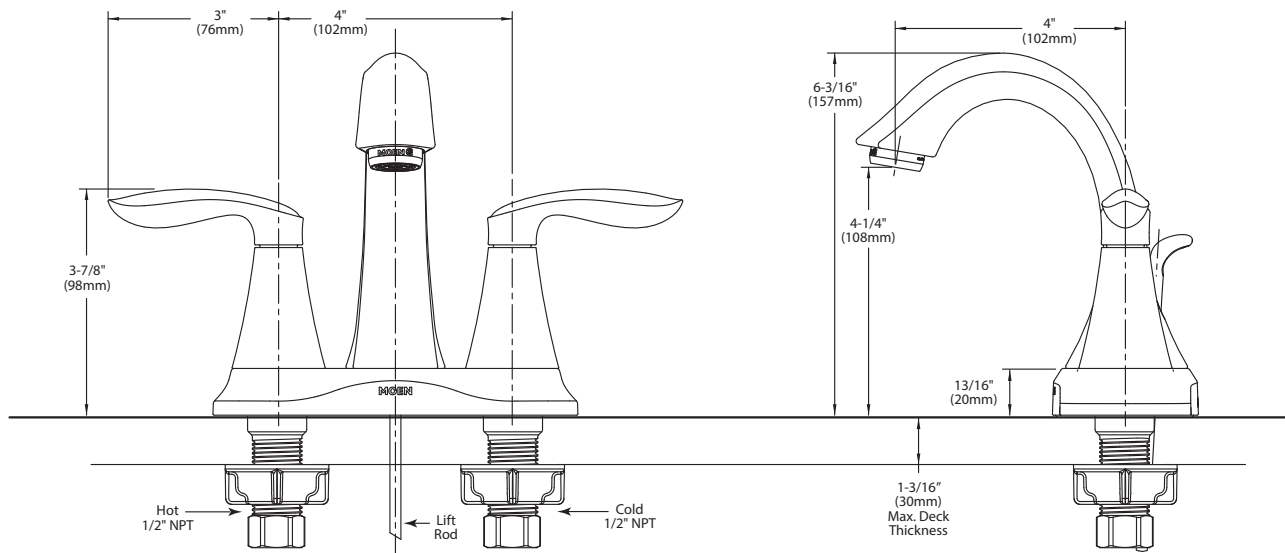
**EVA™**  
**4" Lavatory Faucet**  
**with Metal Waste Assembly**

**Models:** 6410 series

**Bulk Models:** 66410, 66411\*  
**(Bulk packed 6 per carton),**  
**50/50 waste assembly**

\*Includes hot (red) and cold (blue) indicators.

**NOTE:** THIS FAUCET IS DESIGNED TO BE INSTALLED THRU 3 HOLES, 1" MIN. DIA.



## CRITICAL DIMENSIONS

(DO NOT SCALE)