

Recessed Fixtures Technical Specification

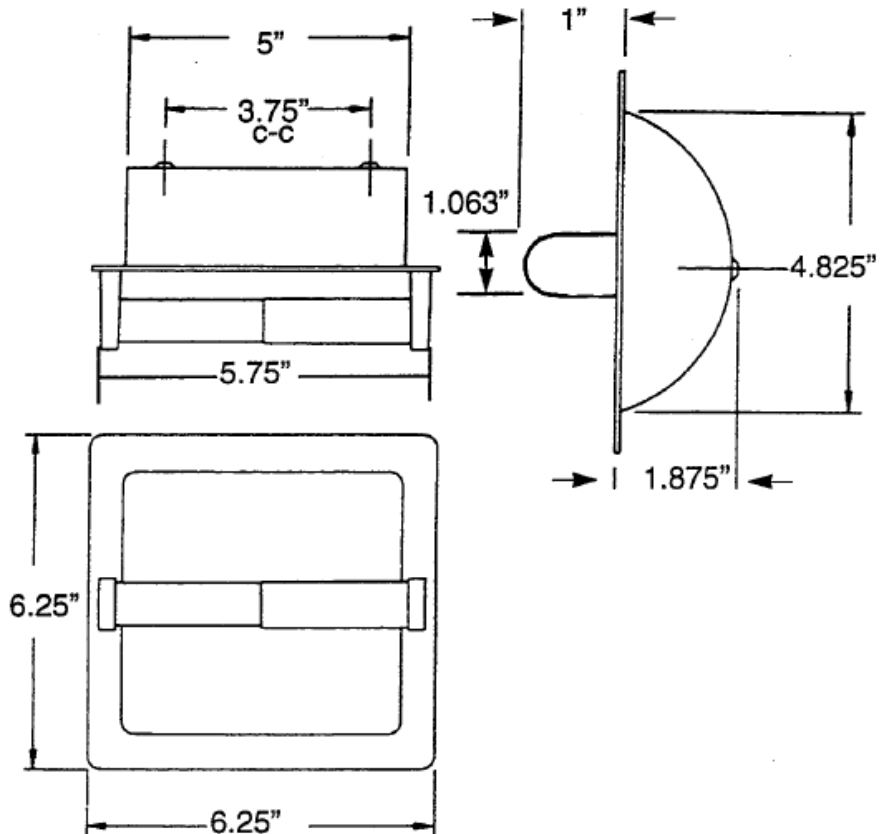
Recessed Paper Holders

575, 576

Stock Numbers:

- q **576PB – Recessed Paper Holder**
Polished Brass Finish
Polished Brass Roller
- q **575 – Recessed Paper Holder**
Polished Chrome Finish
Chrome Roller
- q **576 – Recessed Paper Holder**
Polished Chrome Finish
White Roller

Dimensions:



Materials:

Recessed Paper Holder shell is stamped from a special alloy brass strip and finished with either a triple plated polished chrome finish or in polished brass with a lacquer coat for added protection. Roller is plastic and spring loaded.

Installation Instructions:

Cut out wall opening $5 \frac{1}{4}$ " x $5 \frac{1}{4}$ " x $1 \frac{7}{8}$ " depth. If wood blocking is available, install recess shell into opening using $1 \frac{1}{4}$ " screws (provided). If wood blocking is not available, use optional installation clamp: BR587 or 588.

Stock Number: _____ **Recessed Paper Holder**
By CSI Bath Furnishings

