

Recessed Fixtures Technical Specification

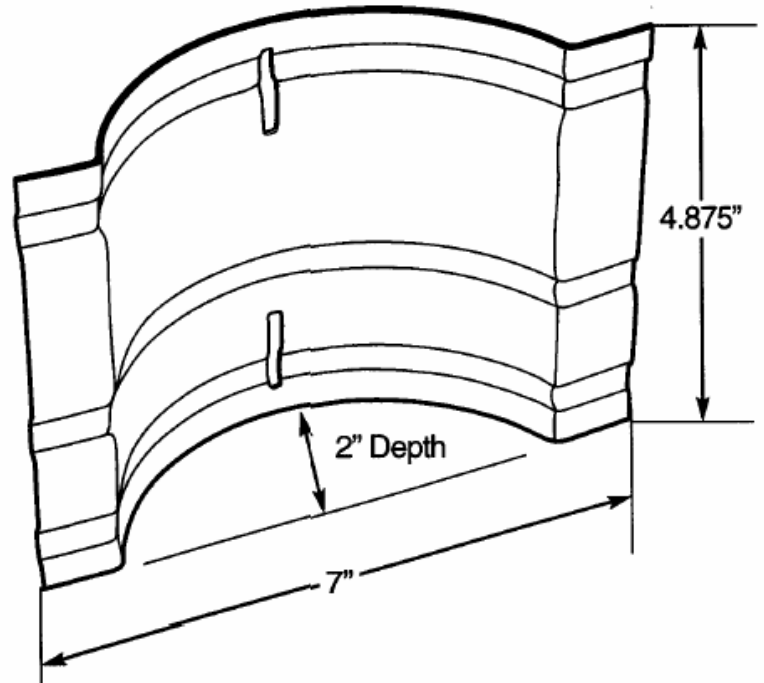
Installation Clamp

588

Stock Numbers:

- q **588 – Installation Clamp**
Use with all screw mounted
recessed fixtures
Box Pack

Dimensions:



Materials:

Installation C-Clamp is stamped from type 304 steel.

Installation Instructions:

Position C-clamp on recessed fixture as desired. Mount C-Clamp using 2" stainless steel screws (provided). Insert into wall opening.

Stock Number: _____ Installation C Clamp
By Creative Specialties



25300 AL MOEN DRIVE • NORTH OLMSTED, OH 44070
CORPORATE HEADQUARTERS: (800) 321-8809 • FAX: (800) 848-6636
INTERNATIONAL: (440) 962-2000 • FAX: (440) 962-2726
CUSTOMER SERVICE (USA): 800-882-0116 • FAX: (888) 379-2720
WWW.CSI.MOEN.COM

©Copyright Creative Specialties International 2006