

DESCRIPTION

- Chrome plated metal construction
- Contains: hand-held shower, 30" slide bar, drop ell, vacuum breaker, 69" metal hose and mounting hardware
- **SLIDE BAR IS NOT TO BE USED AS A GRAB BAR**
- Supplied with vandal resistant screws
- Quick cleaning rubber nozzles

FLOW

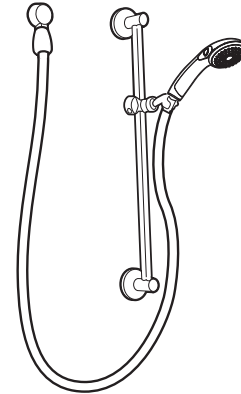
- 1.5 gpm (5.7 L/min) MAX at 80 psi
- 1.1 gpm (4.2 L/min) MIN at 45 psi

STANDARDS

- Third party certified to ASME A112.18.1/CSA B-125.1, ASSE 1014 and all applicable requirements referenced therein

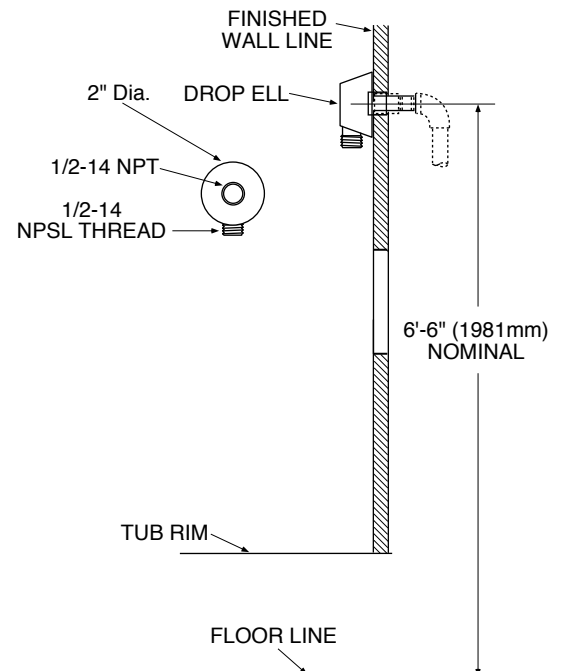
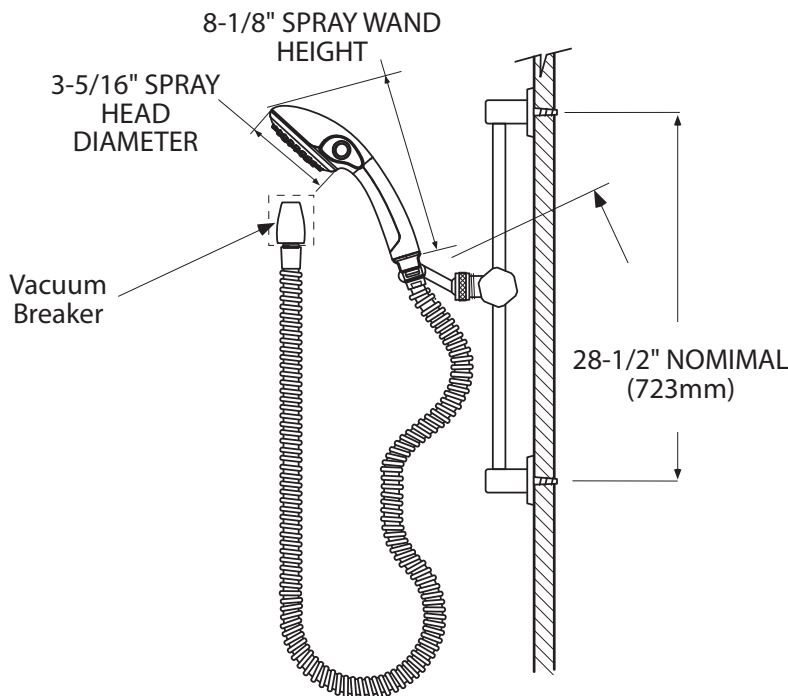
WARRANTY

- Warranted for 5 years against material or manufacturing defects



Hand-Held Shower System

Model: 52710EP15



CRITICAL DIMENSIONS

(DO NOT SCALE)