

## FAUCET DESCRIPTION

- Metal construction with chrome plated finish
- Inlet shanks will accept 3/8" ball nose connections

## OPERATION

- Knob style handles with hot and cold color indicators
- Rotate either handle counterclockwise to open and clockwise to close

## FLOW

- Aerator is limited to 2.2 gpm max (8.3 L/min)

## CARTRIDGE

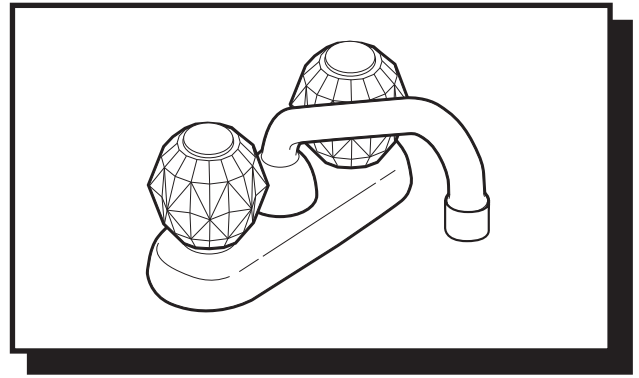
- 1224 cartridge design
- Nonmetallic stainless steel material

## STANDARDS

- Designed and manufactured to comply with the requirements of: CSA B-125 and ASME A112.18.1M and all applicable requirements referenced therein

## WARRANTY

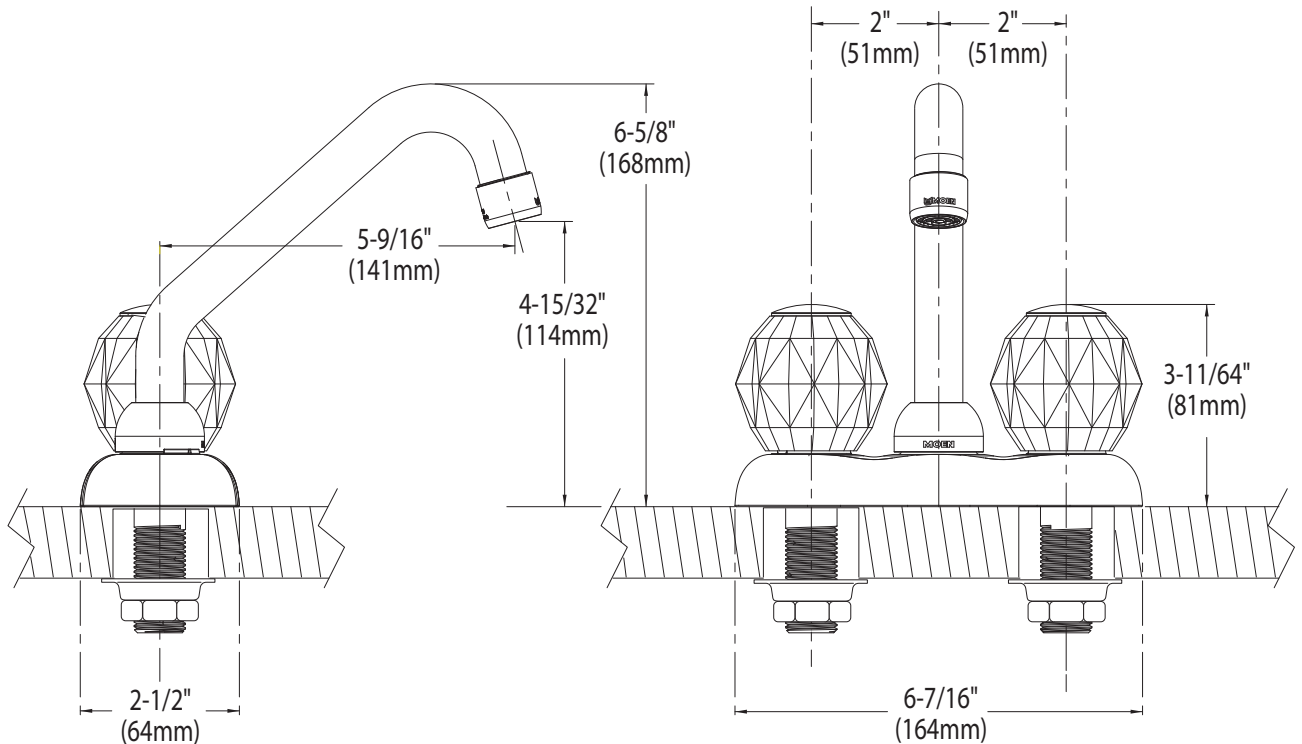
- Lifetime limited warranty against leaks, drips and finish defects to the original consumer purchaser
- 5 year warranty if used in commercial installations



**CHATEAU®**  
**Two Handle Laundry Faucet**

**Model: 4975**

**NOTE: Designed to be installed through 2 - 1" min. dia. holes 4" on center**



## CRITICAL DIMENSIONS

(DO NOT SCALE)

## FAUCET DESCRIPTION

- Chrome plated metal construction
- Inlet shanks will accept 3/8" ball nose connections

## OPERATION

- Knob style handles
- Counterclockwise on/Clockwise off

## FLOW

- Aerator is limited to 2.2 gpm max (8.3 L/min)

## CARTRIDGE

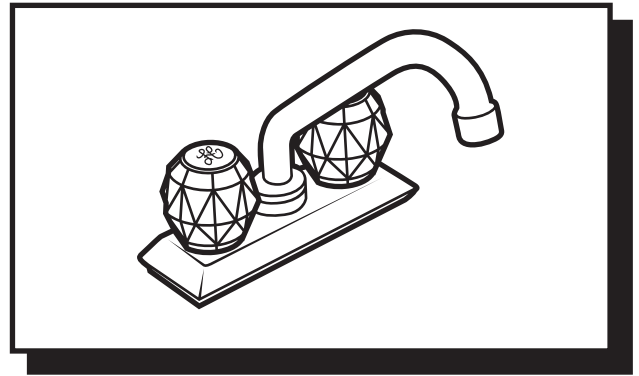
- 1224 cartridge design
- Nonmetallic stainless steel material

## STANDARDS

- Designed and manufactured to comply with the requirements of: CSA B-125 and ASME A112.18.1M and all applicable requirements referenced therein

## WARRANTY

- Lifetime limited warranty against leaks, drips and finish defects to the original consumer purchaser
- 5 year warranty if used in commercial installations

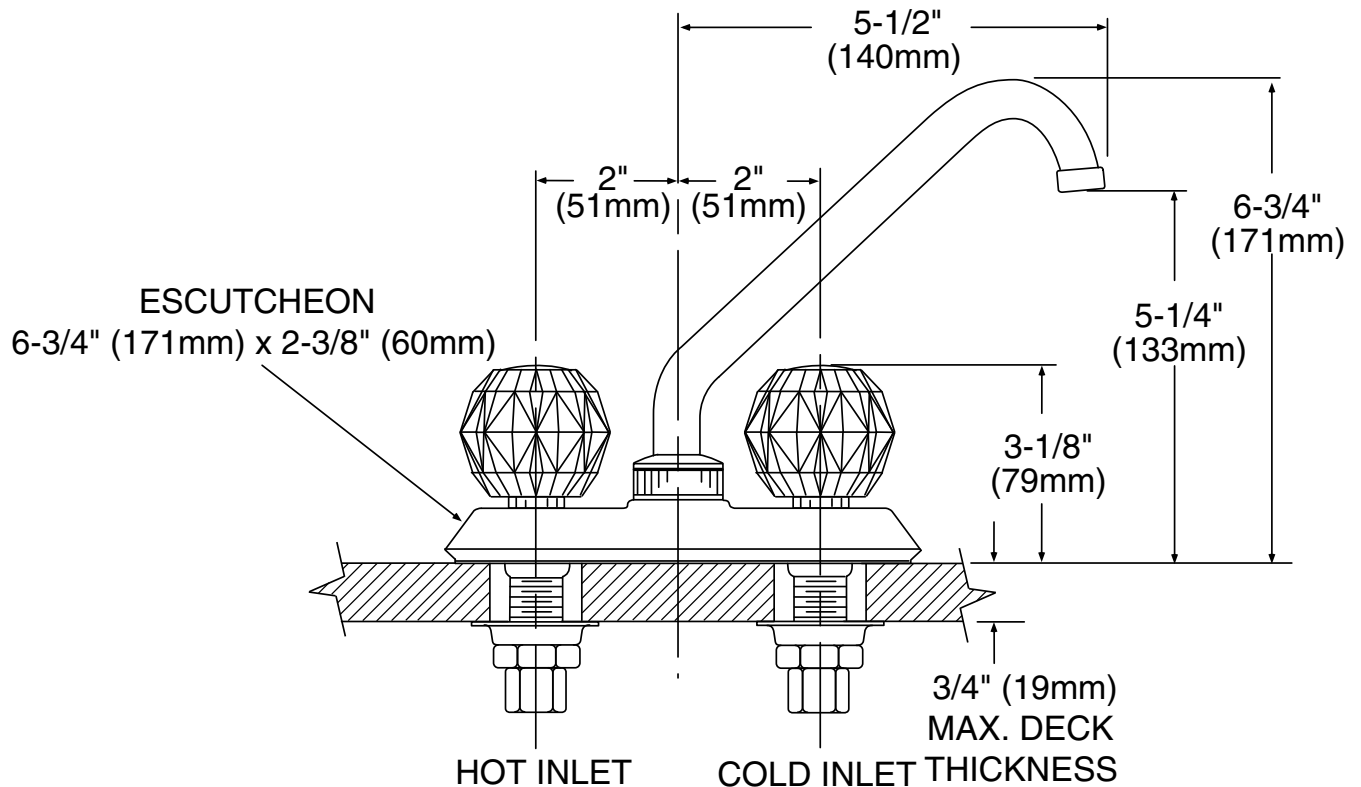


**CHATEAU®**  
**Two Handle Laundry Faucet**

**Model: 4975**

**NOTE: See reverse side  
for illustrated parts**

**NOTE: DESIGNED TO INSTALL  
THRU 2 HOLES 1" (25mm) MIN. DIA.  
AND 4" (102mm) ON CENTER**



## CRITICAL DIMENSIONS

(DO NOT SCALE)