

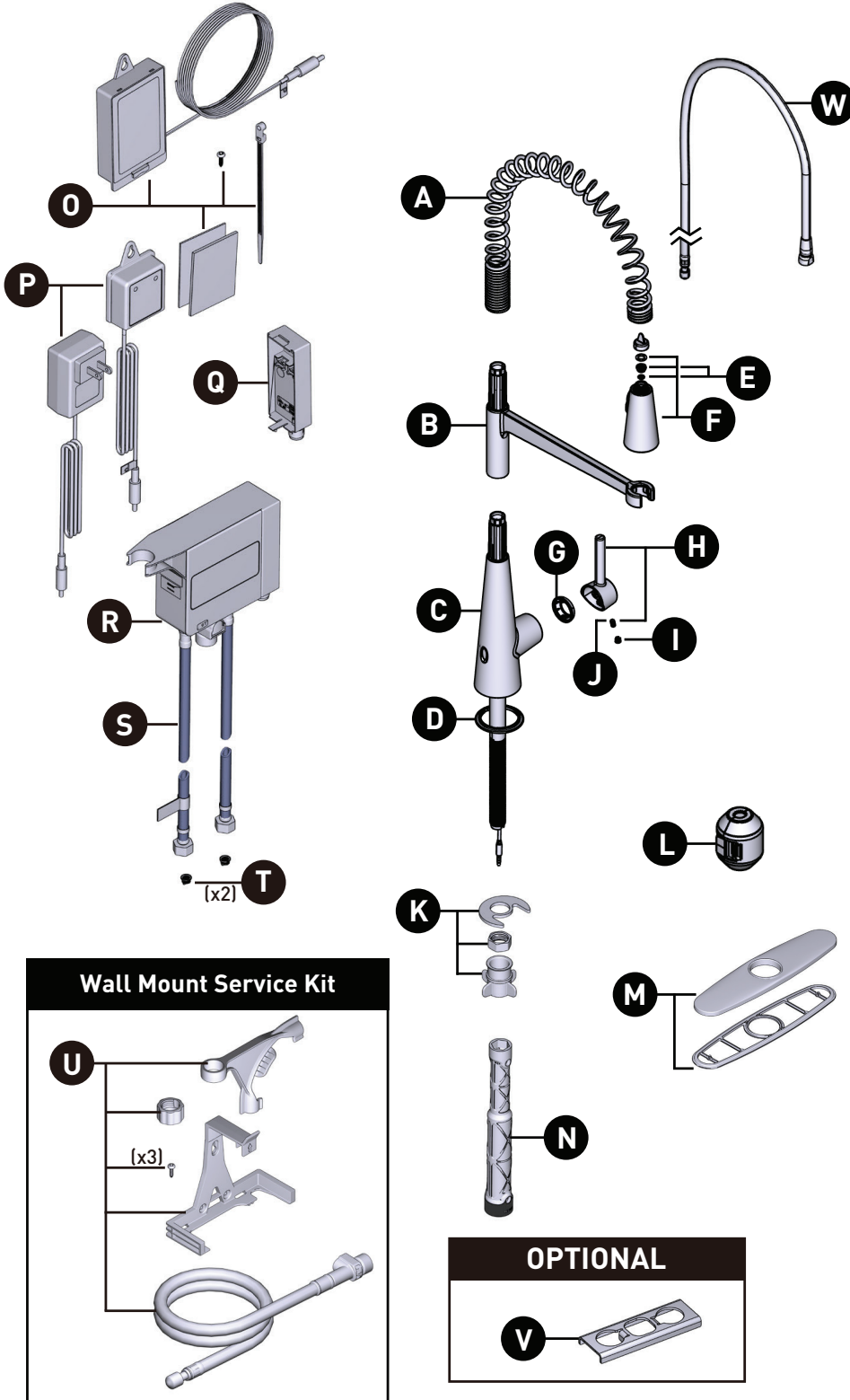
MOEN®

ORDER BY PART NUMBER

ILLUSTRATED PARTS

SLEEK™ MOTIONSENSE WAVE™

Single Handle Pre-Rinse Spring
 Pulldown Kitchen Faucet
 5925EW



ID	Kit Number	Finish
*A	199097	See below
*B	199098	See below
*C	191001	See below
D	143338	Chrome
	143338BL	Matte Black (Use with Spot Resist Stainless)
E	141025	N/A
*F	187728	See below
*G	160660	See below
*H	187729	See below
*I	152859	Use with all finishes except SRS
	152859CSL	Use with Spot Resist Stainless
J	155023	N/A
K	193774	N/A
L	125989	N/A
*M	141002	See below
N	118305	N/A
O	177567	N/A
P	169031	N/A
Q	188031	N/A
R	177569	N/A
S	177572	N/A
T	197171	N/A
U	177566	N/A
V	176787	N/A
W	150259	N/A

*Finish Determined by Suffix

Finish	Description
C	Chrome
SRS	Spot Resist Stainless
BL	Matte Black
BLS	Black Stainless