

MOEN®

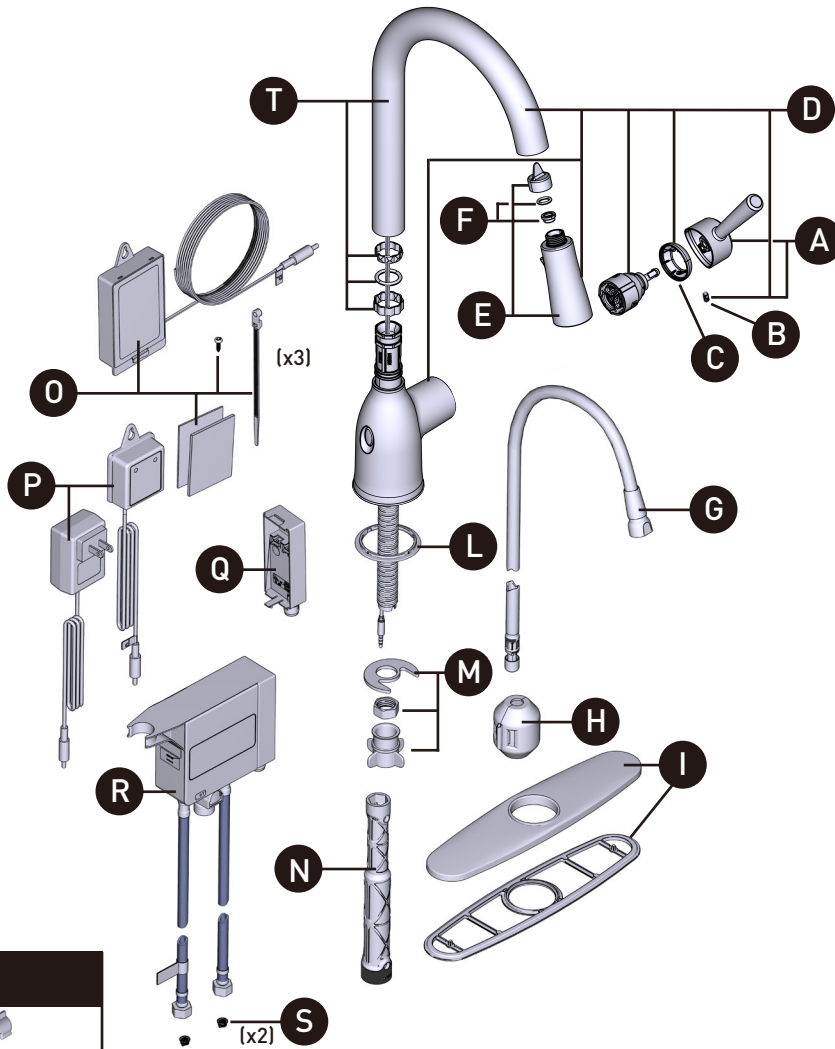
ORDER BY PART NUMBER

Illustrated Parts

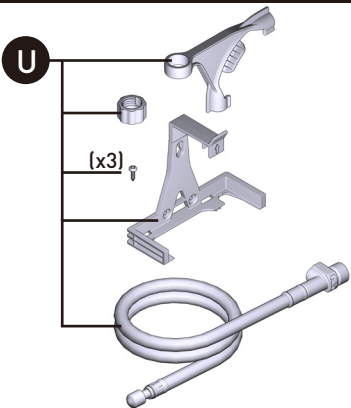
Adler™ MotionSense Wave™
Hands-Free, Single-Handle High arc
Pulldown Kitchen Faucet

MODEL
87233EWC
87233EWSRS
87233EWBL

FINISH
Chrome
Spot Resist Stainless
Matte Black



OPTIONAL



ORDER BY PART NUMBER

| ID | kit Description | kit Number | Finish |
|----|--|------------|---|
| A | Handle Kit | 171171 | Chrome |
| | | 171171SRS | Spot Resist Stainless |
| | | 171171BL | Matte Black |
| B | Handle Kit Set Screw (Requires 3/32" Hex Key) | 155023 | N/A |
| C | Handle Dome | 160660 | Chrome |
| | | 160660SRS | Spot Resist Stainless |
| | | 160660BL | Matte Black |
| D | Faucet Assembly Kit | 210119 | Chrome |
| | | 210119SRS | Spot Resist Stainless |
| | | 210119BL | Matte Black |
| E | Wand Kit | 198297 | Chrome |
| | | 198297SRS | Spot Resist Stainless |
| | | 198297BL | Matte Black |
| F | Wand Screen and O-ring Kit | 158550 | N/A |
| G | Hose Kit | 150259 | N/A |
| H | Weight Kit | 125989 | N/A |
| I | Escutcheon & Gasket Kit | 141002 | Chrome |
| | | 141002SRS | Spot Resist Stainless |
| | | 141002BL | Matte Black |
| L | Deck Gasket Kit | 143338 | For Chrome and Spot Resist Stainless |
| | | 143338BL | Matte Black |
| M | Mounting Hardware | 193774 | N/A |
| N | Installation Tool | 118305 | N/A |
| O | Battery Holder & Hardware Pack (6AA Batteries Not Included) | 177567 | N/A |
| P | AC Adapter with Power Splitter (Sold seperately) | 169031 | N/A |
| Q | Wave Electronics Box Only | 188031 | N/A |
| R | Control Box Only (Includes (x2) Supply Hose Assemblies) | 177569 | N/A |
| S | Filter Screen (x2) | 197171 | N/A |
| T | Spout Kit | 174948 | Chrome |
| | | 174948MSRS | Spot Resist Stainless |
| | | 174948BL | Matte Black |
| U | Wall Mount Service Kit | 177566 | N/A |