



Buy it for looks. Buy it for life.®

Specifications

DESCRIPTION

- Metal construction with chrome finish
- 1/2" IPS connections
- Hot and cold temperature indicators available
- Includes metal pop-up waste assembly

OPERATION

- Lever style handles
- Maximum handle rotation angle is 90° to full on for either handle
- Hot side counterclockwise to open (clockwise to close)
- Cold side clockwise to open (counterclockwise to close)

FLOW

- Water usage is limited to these maximum flow rates as indicated by the corresponding product markings
° 1.2 gpm max (4.5L/min) at 60 psi

CARTRIDGE

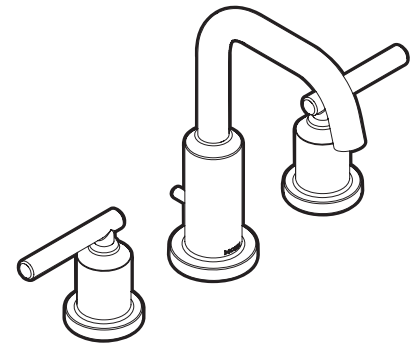
- 1234 cartridge design
- Nonmetallic, nonferrous and stainless steel material

STANDARDS

- Third party certified to WaterSense®, ASME A112.18.1/CSA B125.1 and all applicable requirements referenced therein
- Certified to NSF 61/9 & 372
- Complies with California Proposition 65 and with the Federal Safe Drinking Water Act
- ADA ♿ for lever handles

WARRANTY

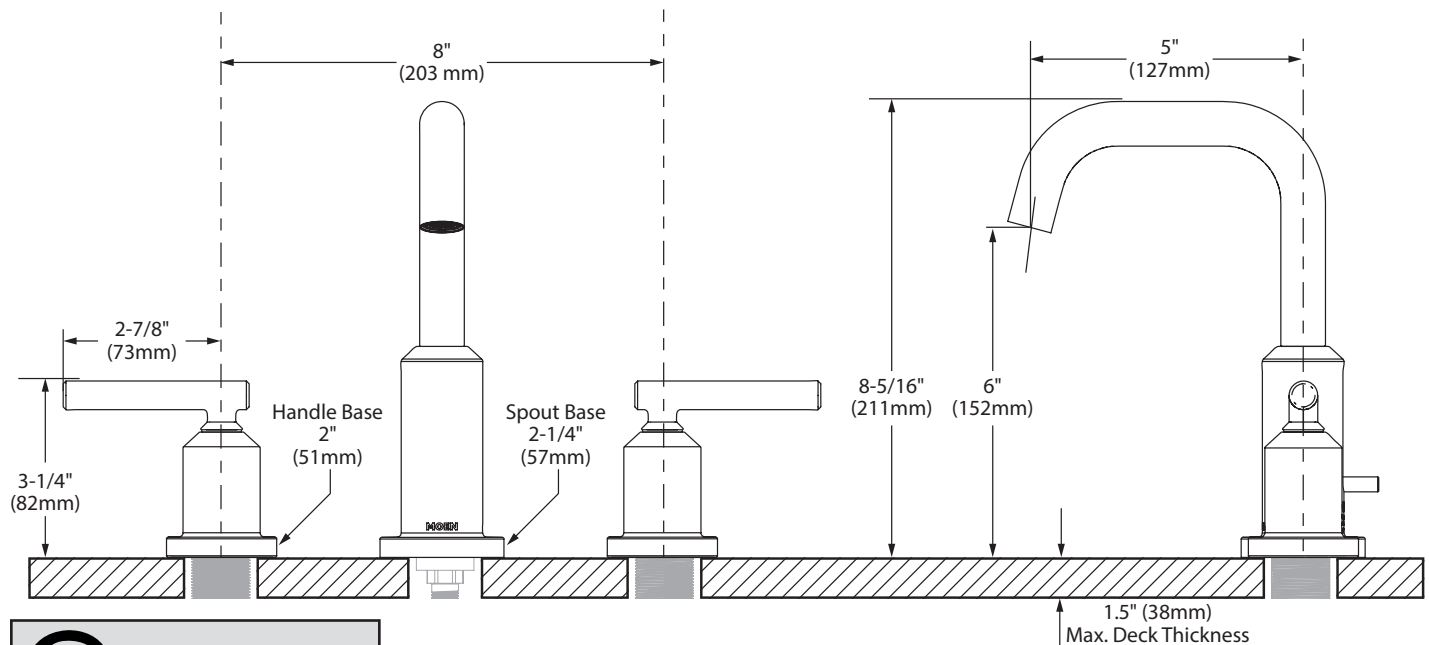
- Limited lifetime warranty against leaks, drips and finish defects to the original consumer purchaser
- 5 year warranty if used in commercial installations



**Gibson™
Two-Handle Widespread
Lavatory Faucet**

Model: T6142
Valve: 9000, 69000

NOTE: THIS FAUCET IS DESIGNED TO BE INSTALLED THRU 3 HOLES, 1-1/8" MIN. DIA.



CRITICAL DIMENSIONS

(DO NOT SCALE)



Buy it for looks. Buy it for life.®

*There is more than 1 version of this model.
Page down to identify the version you have.*

DESCRIPTION

- Duralock™ quick connect system
- Brass construction
- 1/2" IPS connections
- Includes pop-up waste assembly

OPERATION

- Hot side counterclockwise to open (clockwise to close)
- Cold side clockwise to open (counterclockwise to close)

CARTRIDGE

- 1234 cartridge design with nonmetallic and stainless steel materials

STANDARDS

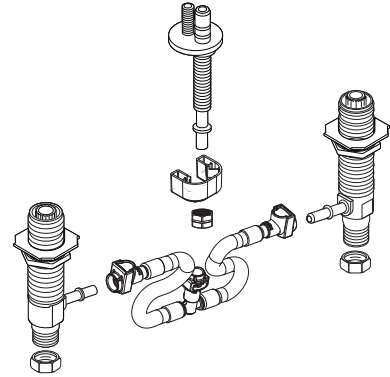
When Trim Kit is added to M•Pact valve, the product is:

- Third party certified to meet ASME A112.18.1/CSA B125.1 and all applicable requirements referenced therein including NSF61/9 & 372
- Complies with California Proposition 65 and with the Federal Safe Drinking Water Act

WARRANTY

- Lifetime limited warranty against leaks, drips and finish defects to the original consumer purchaser
- 5 year warranty if used in commercial installations

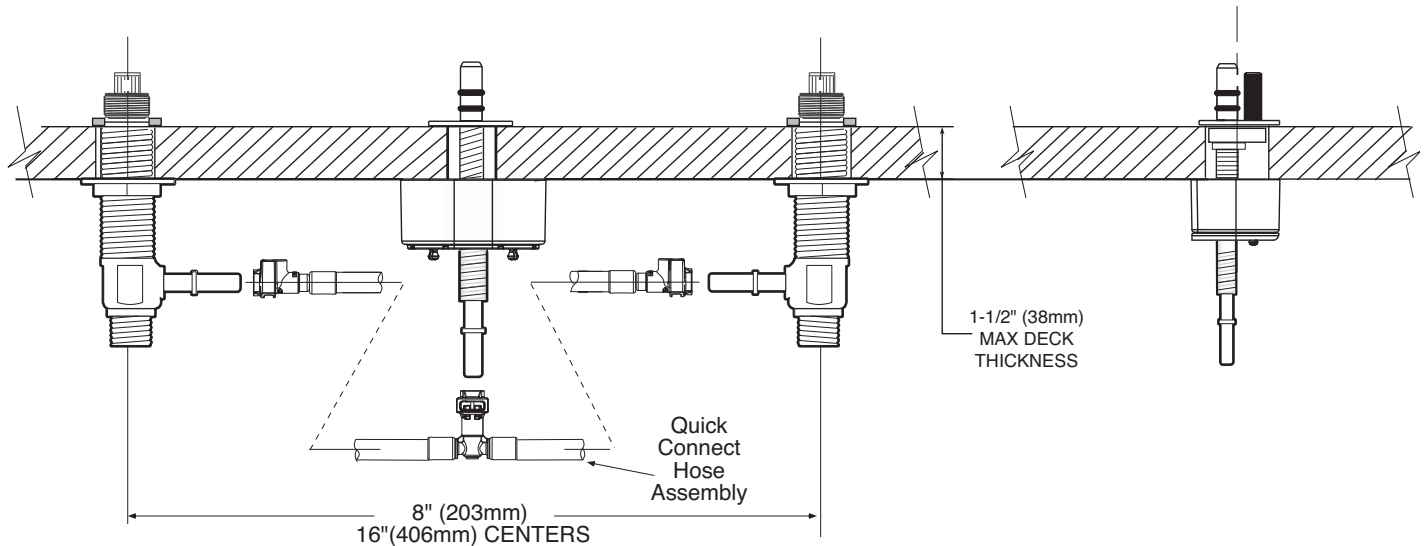
Specifications



M•PACT VALVE Widespread Lavatory Rough-in Valve

**Models: 9000, 69000
(69000-Bulk Packed 6 per carton)**

- NOTE:** FOR DECK THICKNESS 1-1/2" to 3", USE SERVICE KIT #175709. VALVES INSTALL THROUGH 1-1/4" DIA. HOLE.
- NOTE:** SPOUT INSTALLS THROUGH 1-1/8" MIN. DIA. HOLE. VALVES INSTALL THROUGH 1-1/8" MIN. DIA. HOLE.
- NOTE:** MAXIMUM HOLE DIA. 1-1/2"



CRITICAL DIMENSIONS

(DO NOT SCALE)

FOR MORE INFORMATION CALL: 1-800-BUY-MOEN

www.moen.com



Buy it for looks. Buy it for life.®

Specifications

DESCRIPTION

- Quick connect system
- Brass construction
- 1/2" IPS connections
- Includes pop-up waste assembly

OPERATION

- Hot side counterclockwise to open (clockwise to close)
- Cold side clockwise to open (counterclockwise to close)

CARTRIDGE

- 1224 cartridge design with nonmetallic and stainless steel materials

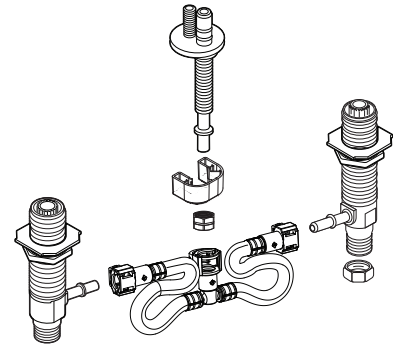
STANDARDS

When Trim Kit is added to M•Pact valve, the product is:

- Third party certified to meet ASME A112.18.1/CSA B125.1 and all applicable requirements referenced therein including NSF61/9 & 372
- Complies with California Proposition 65 and with the Federal Safe Drinking Water Act

WARRANTY

- Lifetime limited warranty against leaks, drips and finish defects to the original consumer purchaser
- 5 year warranty if used in commercial installations



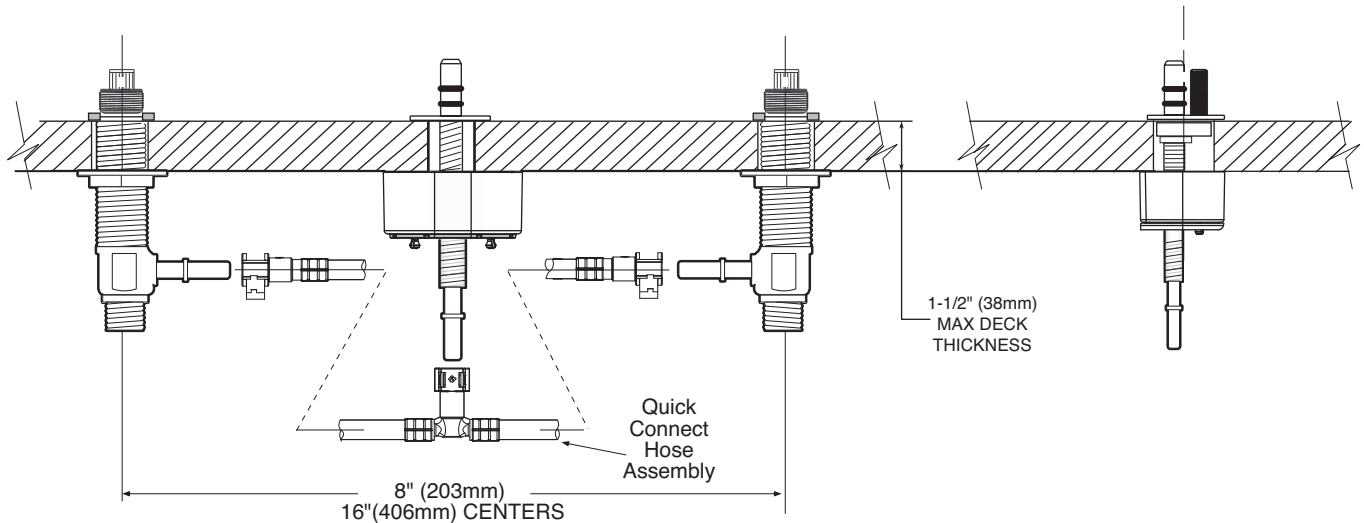
M•PACT VALVE Widespread Lavatory Rough-in Valve

Models: 9000, 69000
(69000-Bulk Packed 6 per carton)

NOTE: FOR DECK THICKNESS 1-1/2" to 3", USE SERVICE KIT #175709. VALVES INSTALL THROUGH 1-1/4" DIA. HOLE.

NOTE: SPOUT INSTALLS THROUGH 1-1/8" MIN. DIA. HOLE. VALVES INSTALL THROUGH 1-1/8" MIN. DIA. HOLE.

NOTE: MAXIMUM HOLE DIA. 1-1/2"



CRITICAL DIMENSIONS

(DO NOT SCALE)