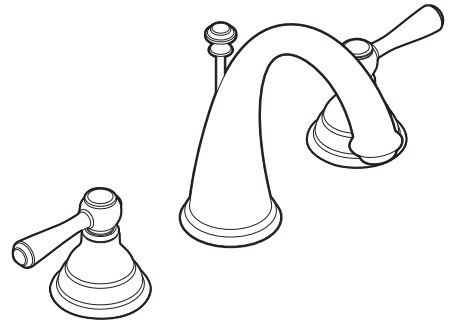




Buy it for looks. Buy it for life.®

There is more than 1 version of this model.  
Page down to identify the version you have.

# Specifications



## KINGSLEY™ Two-Handle Widespread Lavatory Faucet

Models: T6125 series

Valve: 9000, 69000

**NOTE:** THIS FAUCET IS DESIGNED TO BE  
INSTALLED THRU 3 HOLES, 1-1/8" MIN. DIA.



### DESCRIPTION

- Duralock™ quick connect system
- Metal construction with various finishes identified by suffix
- 1/2" IPS connections
- Includes hot and cold indicators
- Includes metal pop-up waste assembly

### OPERATION

- Lever style handles
- Maximum handle rotation angle is 90° to full on for either handle
- Hot side counterclockwise to open (clockwise to close)
- Cold side clockwise to open (counterclockwise to close)

### FLOW

- Water usage is limited to these maximum flow rates as indicated by the corresponding product markings
  - ° 1.2 gpm max (4.5L/min) at 60 psi
  - ° 1.5 gpm max (5.7L/min) at 60 psi

### CARTRIDGE

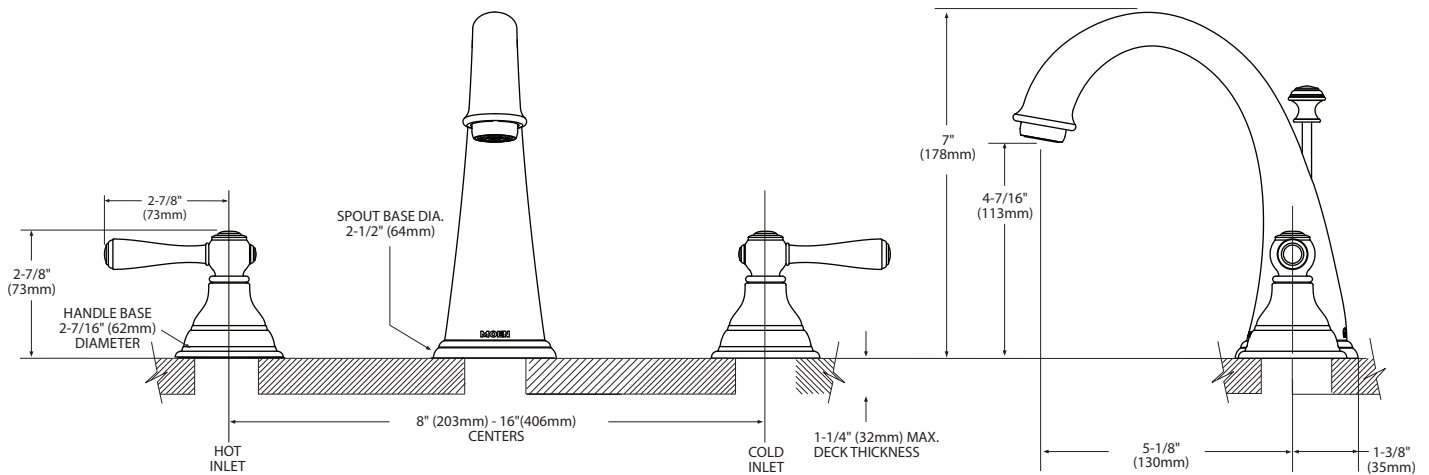
- 1234 cartridge design with nonmetallic and stainless steel materials

### STANDARDS

- Third party certified to WaterSense,® ASME A112.18.1/CSA B125.1, and all applicable requirements referenced therein
- Certified to NSF 61/9 & 372
- Products marked with 1.2 gpm are compliant with California water efficiency regulations
- Complies with California Proposition 65 and with the Federal Safe Drinking Water Act
- **ADA** for lever handles

### WARRANTY

- Lifetime limited warranty against leaks, drips and finish defects to the original consumer purchaser
- 5 year warranty if used in commercial installations



## CRITICAL DIMENSIONS

(DO NOT SCALE)

FOR MORE INFORMATION CALL: 1-800-BUY-MOEN

www.moen.com



Buy it for looks. Buy it for life.®

# Specifications

## DESCRIPTION

- Quick connect system
- Metal construction with various finishes identified by suffix
- 1/2" IPS connections
- Includes hot and cold indicators
- Includes metal pop-up waste assembly

## OPERATION

- Lever style handles
- Maximum handle rotation angle is 90° to full on for either handle
- Hot side counterclockwise to open (clockwise to close)
- Cold side clockwise to open (counterclockwise to close)


## FLOW

- Flow is limited to 1.5 gpm max (5.7L/min) at 60 psi, for products made before October 2008 flow is limited to 2.2 gpm max (8.3 L/min)

## CARTRIDGE

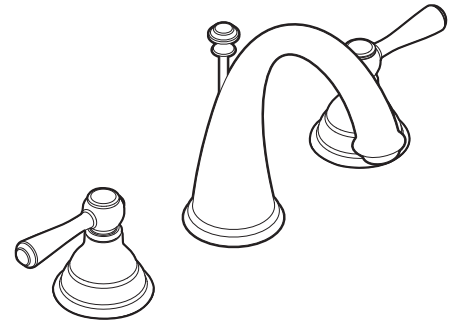
- 1224 cartridge design
- Nonmetallic and stainless steel material

## STANDARDS

- Third party certified to WaterSense®, ASME A112.18.1/CSA B125.1, and all applicable requirements referenced therein including NSF61/9 & 372
- Complies with California Proposition 65 and with the Federal Safe Drinking Water Act
- **ADA**  for lever handles

## WARRANTY

- Lifetime limited warranty against leaks, drips and finish defects to the original consumer purchaser
- 5 year warranty if used in commercial installations

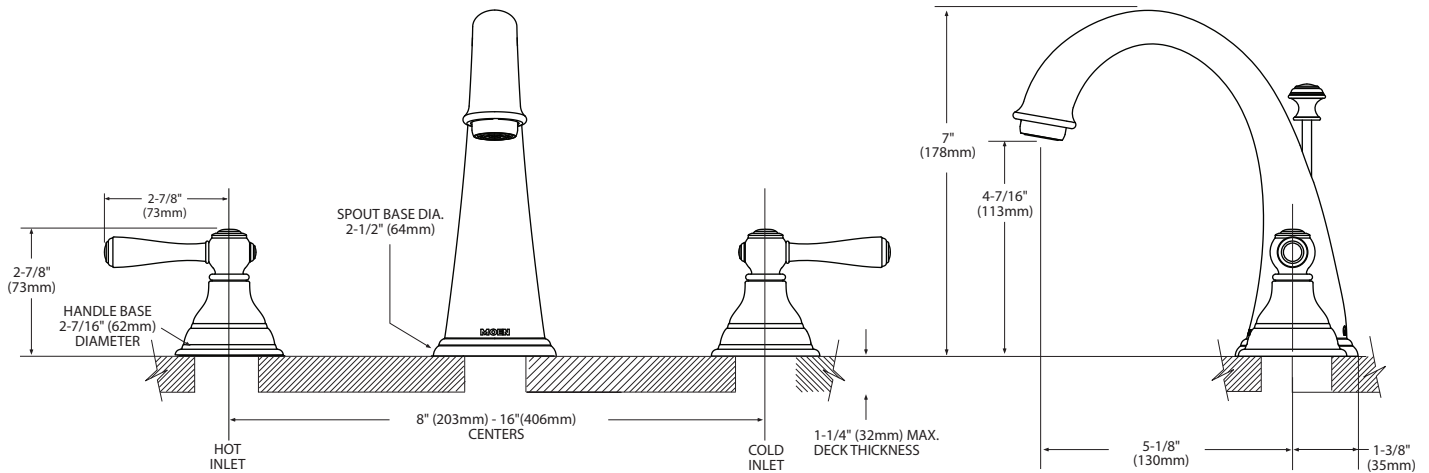


## KINGSLEY™ Two-Handle Widespread Lavatory Faucet

**Models:** T6125 series

**Valve:** 9000, 69000

**NOTE:** THIS FAUCET IS DESIGNED TO BE INSTALLED THRU 3 HOLES, 1-1/8" MIN. DIA.



## CRITICAL DIMENSIONS

(DO NOT SCALE)

FOR MORE INFORMATION CALL: 1-800-BUY-MOEN

www.moen.com



Buy it for looks. Buy it for life.®

*There is more than 1 version of this model.  
Page down to identify the version you have.*

**DESCRIPTION**

- Duralock™ quick connect system
- Brass construction
- 1/2" IPS connections
- Includes pop-up waste assembly

**OPERATION**

- Hot side counterclockwise to open (clockwise to close)
- Cold side clockwise to open (counterclockwise to close)

**CARTRIDGE**

- 1234 cartridge design with nonmetallic and stainless steel materials

**STANDARDS**

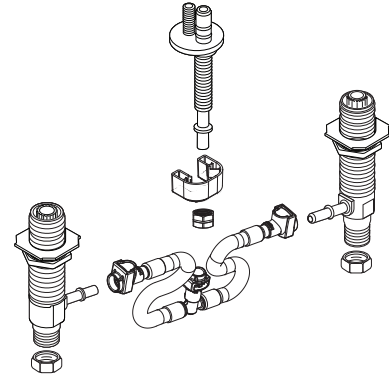
**When Trim Kit is added to M•Pact valve, the product is:**

- Third party certified to meet ASME A112.18.1/CSA B125.1 and all applicable requirements referenced therein including NSF61/9 & 372
- Complies with California Proposition 65 and with the Federal Safe Drinking Water Act

**WARRANTY**

- Lifetime limited warranty against leaks, drips and finish defects to the original consumer purchaser
- 5 year warranty if used in commercial installations

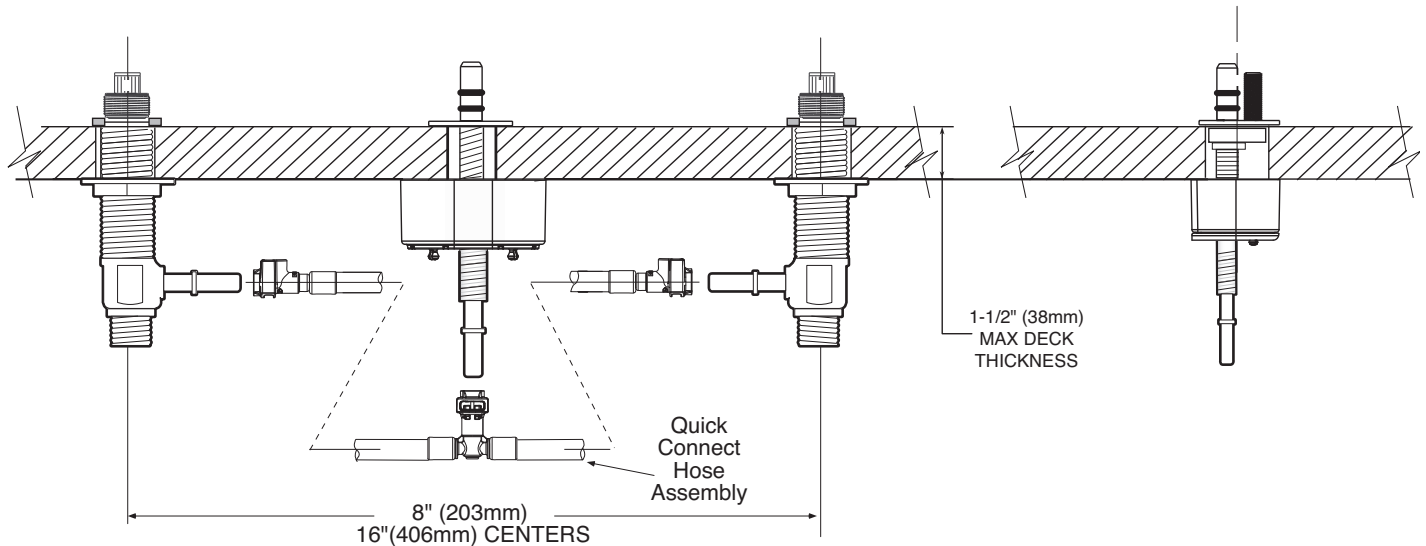
# Specifications



## M•PACT VALVE Widespread Lavatory Rough-in Valve

**Models: 9000, 69000  
(69000-Bulk Packed 6 per carton)**

- NOTE:** FOR DECK THICKNESS 1-1/2" to 3", USE SERVICE KIT #175709. VALVES INSTALL THROUGH 1-1/4" DIA. HOLE.
- NOTE:** SPOUT INSTALLS THROUGH 1-1/8" MIN. DIA. HOLE. VALVES INSTALL THROUGH 1-1/8" MIN. DIA. HOLE.
- NOTE:** MAXIMUM HOLE DIA. 1-1/2"



### CRITICAL DIMENSIONS

(DO NOT SCALE)

**FOR MORE INFORMATION CALL: 1-800-BUY-MOEN**

[www.moen.com](http://www.moen.com)



Buy it for looks. Buy it for life.®

# Specifications

## DESCRIPTION

- Quick connect system
- Brass construction
- 1/2" IPS connections
- Includes pop-up waste assembly

## OPERATION

- Hot side counterclockwise to open (clockwise to close)
- Cold side clockwise to open (counterclockwise to close)

## CARTRIDGE

- 1224 cartridge design with nonmetallic and stainless steel materials

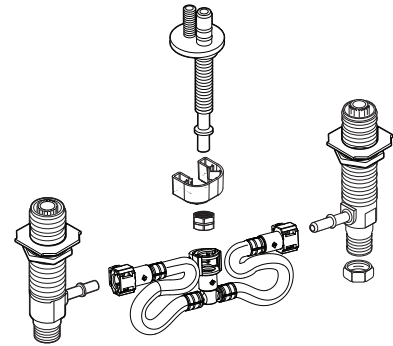
## STANDARDS

### When Trim Kit is added to M•Pact valve, the product is:

- Third party certified to meet ASME A112.18.1/CSA B125.1 and all applicable requirements referenced therein including NSF61/9 & 372
- Complies with California Proposition 65 and with the Federal Safe Drinking Water Act

## WARRANTY

- Lifetime limited warranty against leaks, drips and finish defects to the original consumer purchaser
- 5 year warranty if used in commercial installations



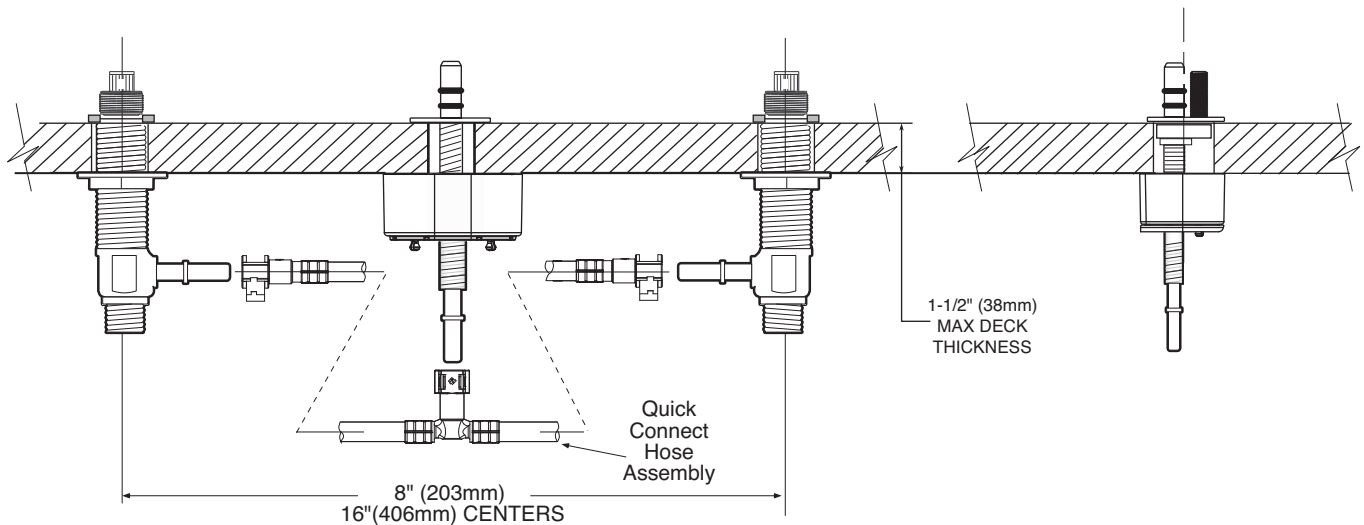
## M•PACT VALVE Widespread Lavatory Rough-in Valve

**Models:** 9000, 69000  
**(69000-Bulk Packed 6 per carton)**

**NOTE:** FOR DECK THICKNESS 1-1/2" to 3", USE SERVICE KIT #175709. VALVES INSTALL THROUGH 1-1/4" DIA. HOLE.

**NOTE:** SPOUT INSTALLS THROUGH 1-1/8" MIN. DIA. HOLE. VALVES INSTALL THROUGH 1-1/8" MIN. DIA. HOLE.

**NOTE:** MAXIMUM HOLE DIA. 1-1/2"



## CRITICAL DIMENSIONS

(DO NOT SCALE)