

# MOEN®

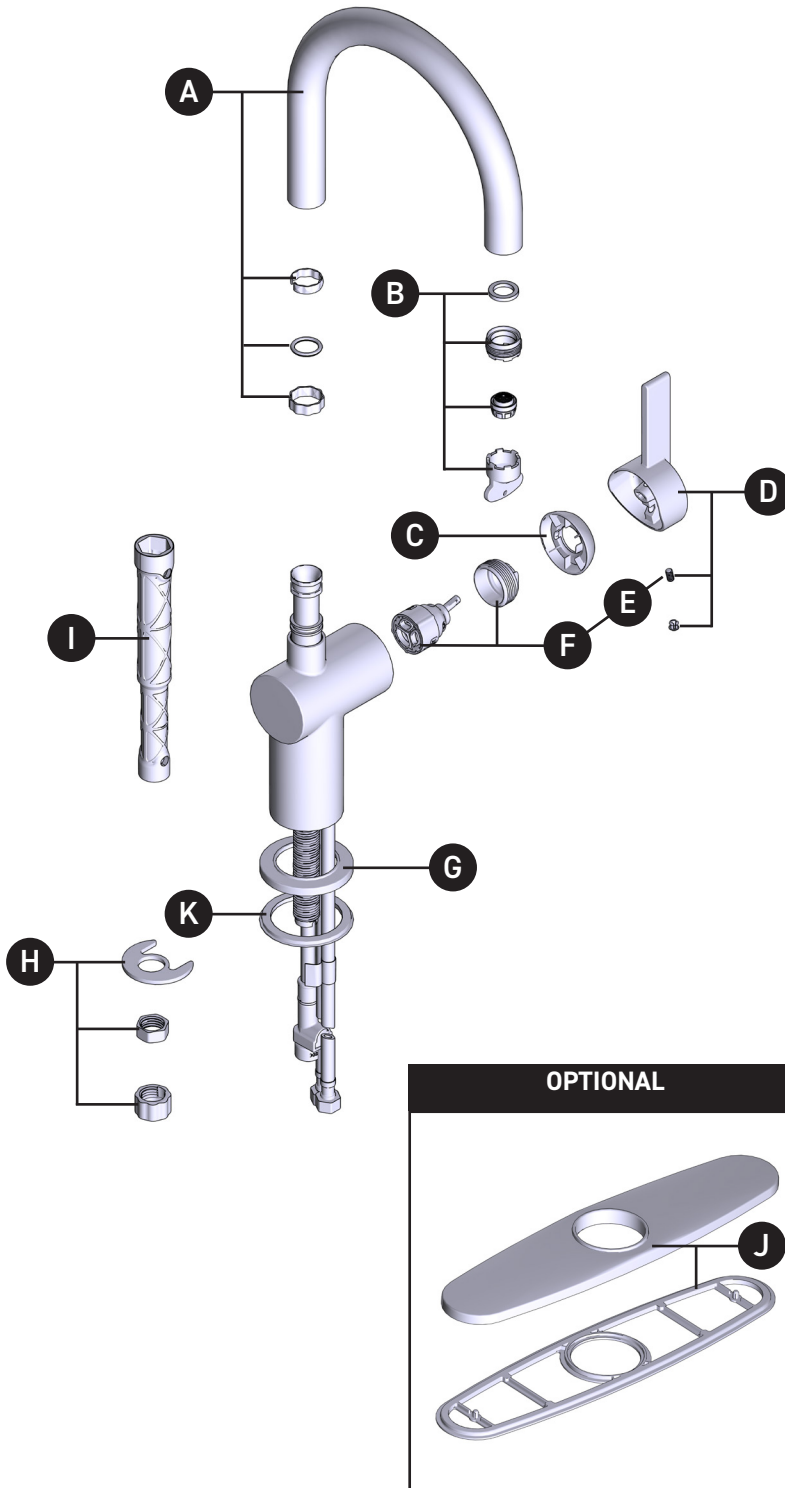
ORDER BY PART NUMBER

## Illustrated Parts

### CIA™

Single-Handle Bar Faucet

MODEL	HANDLE	FINISH
5622	Lever	Chrome
5622BL	Lever	Matte Black
5622BG	Lever	Brushed Gold
5622SRS	Lever	Spot Resist Stainless



ID	Kit Number	Kit Description	Finish
A	207768	Spout Kit	Chrome
	207768BL		Matte Black
	207768BG		Brushed Gold
	207768SRS		Spot Resist Stainless
B	204777	Aerator Kit	N/A
C	207773	Handle Dome	Chrome
	207773BL		Matte Black
	207773BG		Brushed Gold
	207773SRS		Spot Resist Stainless
D	207771	Handle Kit	Chrome
	207771BL		Matte Black
	207771BG		Brushed Gold
	207771SRS		Spot Resist Stainless
E	155023	Set Screw (requires 3/32" hex key)	N/A
F	160657	Cartridge, Cart. Nut & Set Screw	N/A
G	207770	Escutcheon Kit	Chrome/SRS
	207770BL		Matte Black
	207770BG		Brushed Gold
	207770SRS		Spot Resist Stainless
H	192155	Mounting Hardware	N/A
I	118305	Installation Tool	N/A
J	141002	Escutcheon Kit (optional)	Chrome
	141002BL		Matte Black
	141002BG		Brushed Gold
	141002SRS		Spot Resist Stainless
K	140251	Gasket Kit	N/A