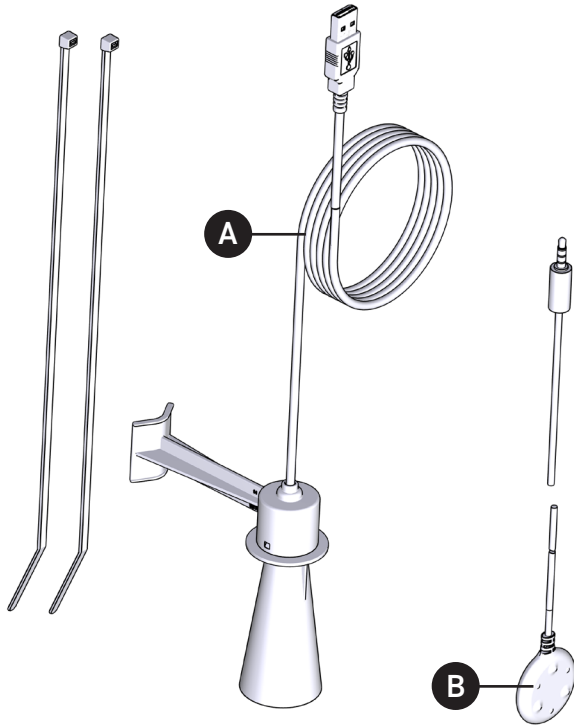


Moen Smart Sump Pump Monitor

MODEL	REGIONS
S2000ESUSA	UNITED STATES
S2000ESCAN	CANADA



ID	Kit Description	Kit Number
A	10'+ Smart Water Level Sensor	207523
B	6' Leak Sensing Disc	207526
C	Smart Sump Pump Monitor	207525
D	Battery Cover	207524
E	6' Leak Sensing Cable Accessory	920-006
F	5' 10" Smart Water Level Extension Cable <i>(sold separately)</i>	207527

