

DESCRIPTION

- Versatile, touchless convenience
- Allows users to control the faucet in 2 unique ways: touchless Wave Sensor and familiar handle
- Powered by 6 AA batteries (included) or optional AC adapter with power splitter
- Metal construction with various finishes identified by suffix
- Flexible supply lines with 3/8" compression fittings
- Includes metal spring loaded pop up drain assembly
- Includes optional 3- hole deck plate (escutcheon)
- Includes Red/Blue temperature indicators
- Quick installation using Duralock connections

OPERATION

- Lever style handle, installed on right hand side only
- Temperature controlled by 100° arc of handle travel
- Operates with less than 5 lbs. of force

FLOW

- Flow is limited to 1.2 gpm max (4.5L/min) at 60 psi

CARTRIDGE

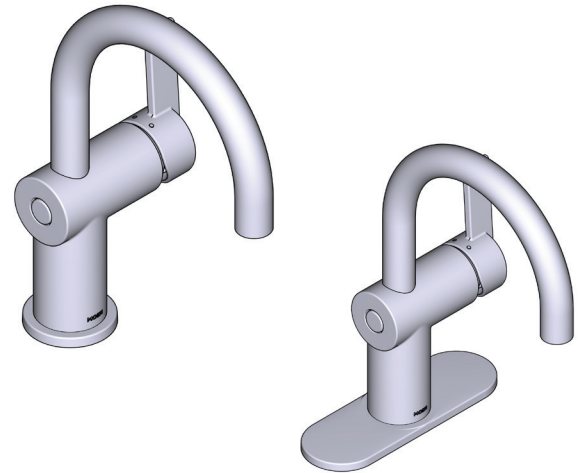
- 1255™ Duralast™ cartridge for Single-Handle Faucets
- Nonmetallic/nonferrous and ceramic material

STANDARDS

- Third party certified to WaterSense,® ASME A112.18.1/CSA B125.1, and all applicable requirements referenced therein
- Certified to NSF 61/9 & 372
- Products marked with 1.2 gpm are compliant with California water efficiency regulations
- Complies with California Proposition 65 and with the Federal Safe Drinking Water Act
- ADA for lever handle

WARRANTY

- Limited lifetime warranty against leaks, drips, finish defects to the original consumer purchaser
- 5 year warranty electronic operation defects to the original consumer purchaser
- 5 year warranty against leaks, drips, finish defects if used in commercial installations
- 1 year warranty against electronic operation defects if used in commercial installations
- Visit www.moen.com/support for complete details and limitations



CIA™ MotionSense Wave™

Single-Handle Digital Lavatory Faucet with MotionSense Wave

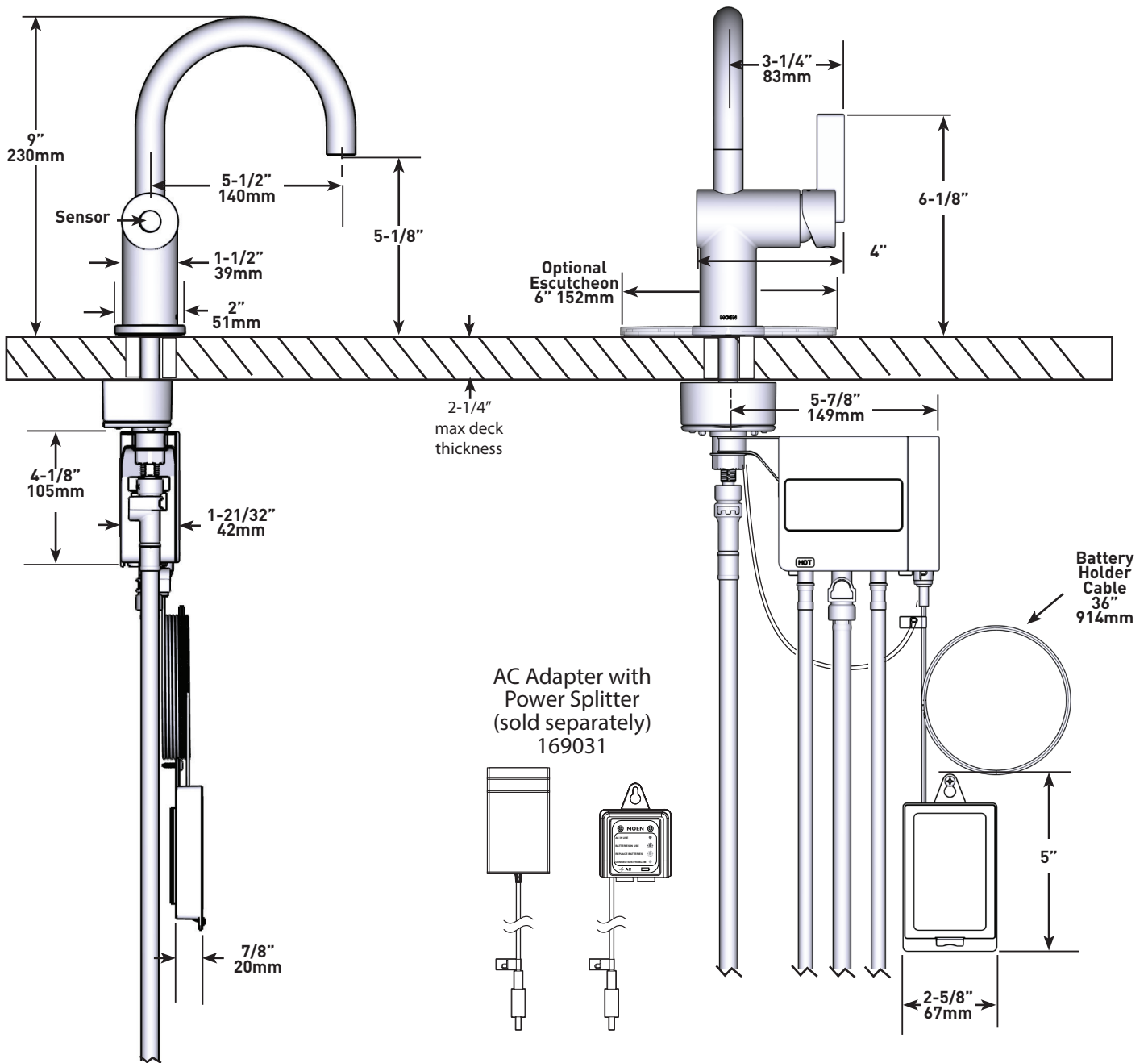
MODELS: 6221EW Series

THIS FAUCET IS DESIGNED TO BE INSTALLED THROUGH 1 OR 3 HOLES, 1-1/4" (32MM) MIN. DIA.



See page 2 for dimensions

CRITICAL DIMENSIONS DO NOT SCALE



CRITICAL DIMENSIONS DO NOT SCALE