

## DESCRIPTION

- Chrome plated metal construction
- Pressure balancing cycle valve design with an adjustable temperature limit stop
- 1/2" IPS/CC connections
- Magnetix™ technology features an innovative magnetic docking system
- Includes rainshower, handshower, hose and magnetic docking system, valve, tub spout, handle, and escutcheon
- Includes valve cap for shower only configuration
- 60" double interlock spiral hose (metal), for Chrome and Spot Resist Brushed Nickel finishes only

## OPERATION

- Lever style handle
- Handle operates counterclockwise through a 270° arc with off at 6 o'clock and maximum hot at the 9 o'clock position. Shut off in clockwise direction
- Adjustable temperature limit stop to control maximum hot water temperature
- Pressure balancing mechanism maintains selected discharge temperature to  $\pm 2^\circ$
- Rainshower is single function, Handshower is six functions
- Rotate outer ring to select function
- 3-way diverter provides ability to flow each shower head separately or combined for more coverage
- Pause/trickle button allows to momentarily pause the handshower flow at a push of a button

## FLOW

- Designed to deliver 2.5 gpm (9.5 L/min) MAX at 80 psi

## CARTRIDGE

- 1222 cartridge design
- Nonmetallic/nonferrous and stainless steel materials
- Accommodates back to back installations

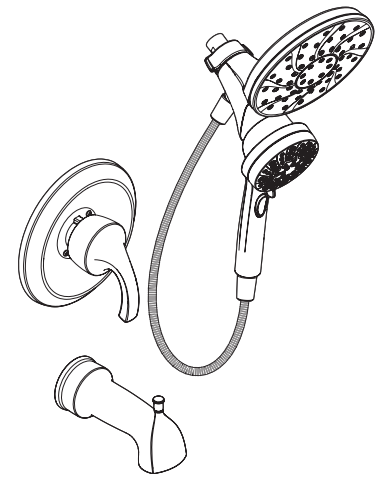
## STANDARDS

- Third party certified to meet ASME A112.18.1/CSA B-125.1 and all applicable requirements referenced therein
- **ADA** ♿ for lever handle
- Meets New York City Law No. 57

## WARRANTY

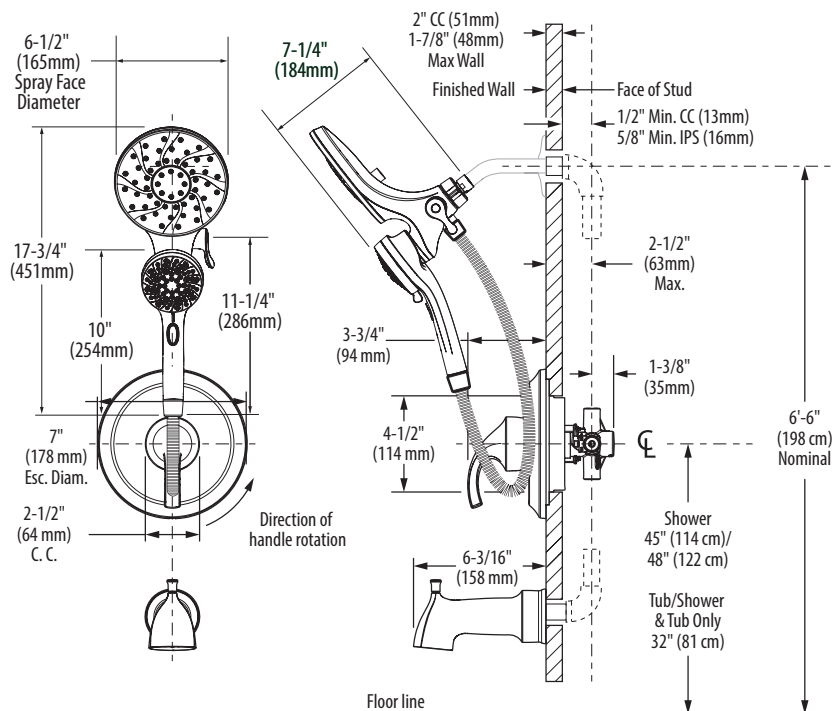
- Lifetime limited warranty against leaks, drips and finish defects to the original homeowner
- 10 year limited warranty when used in a multifamily installation
- 5 year limited warranty when used in a commercial installation

Visit [www.moen.com/support](http://www.moen.com/support) for complete details and limitations



## ENGAGE™ POSI-TEMP® Single-Handle Magnetix™ Rain & Shower Combo

Model: 82304SRN Series



## CRITICAL DIMENSIONS

(DO NOT SCALE)

