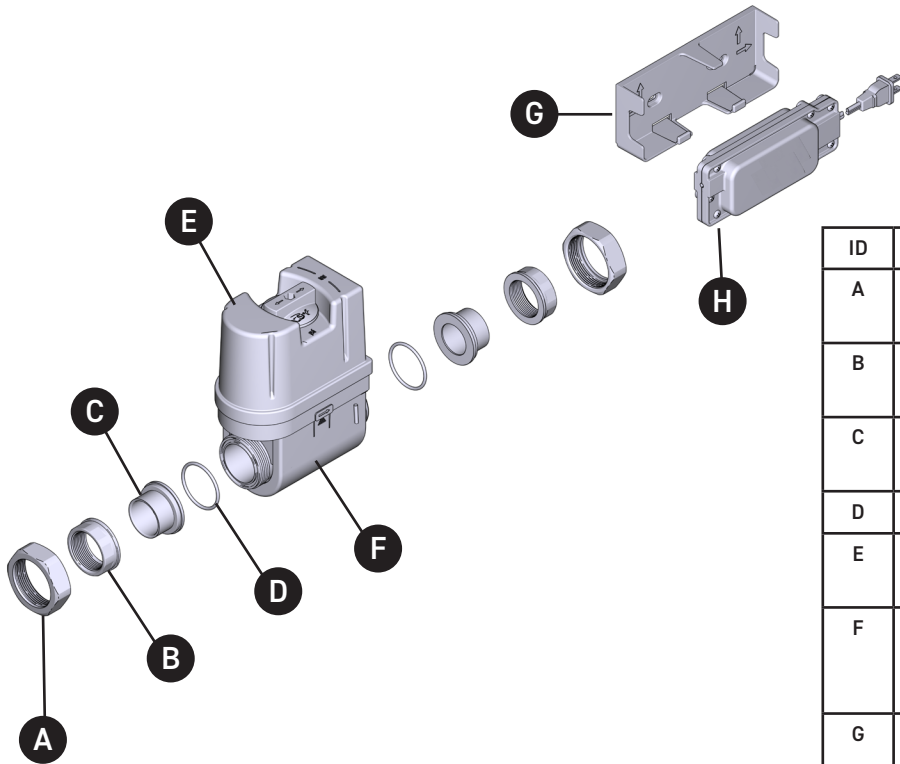


Moen®

Smart Home Water Monitoring
and Leak Detection System

MODEL
900-002

TYPE
1-1/4"



| ID | Kit Description | Kit Number | Finish |
|----|--|------------|--------|
| A | 1-1/4" Brass Union Nuts (x2) | 935-011 | N/A |
| B | 1-1/4" Tailpiece Kit - NPT (x2) | 935-006 | N/A |
| C | 1-1/4" Tailpiece Kit - Solder (x2) | 935-007 | N/A |
| D | 1-1/4" O-Rings (x2) | 935-008 | N/A |
| E | 1-1/4" Module Device Assembly | 900-002 | N/A |
| F | Plastic Waterway Cover for 1-1/4" Module | 935-015 | N/A |
| G | AC Adapter Mounting Bracket (attaches AC adapter to a wall) | 930-011 | N/A |
| H | Outdoor-rated AC Power Adapter (for service/replacement needs) | 920-002 | N/A |