

There is more than 1 version of this model.
Page down to identify the version you have.

SINK DESCRIPTION

- Manufactured of 20 gauge, nickel-bearing stainless steel
- Single bowl is 14" x 16" x 5-1/2"
- The sink ledge has two fixture mounting holes, 1-1/2" in diameter located on each end of the sink
- Has one 3-1/2" diameter recessed drain opening
- Soundshield undercoating maximizes sound deadening and inhibits condensation
- The exposed surfaces are polished to a lustrous satin tone finish
- Includes all necessary mounting hardware

CUT OUT DIMENSIONS (For sinks manufactured after 9/1/2016)

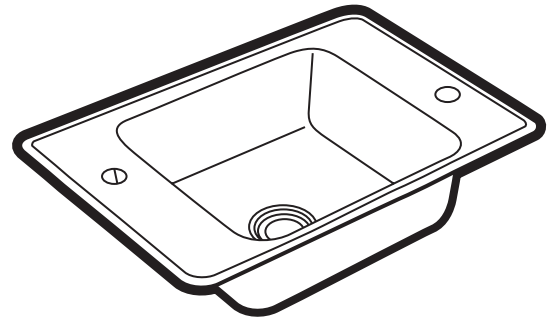
- Cut out dimensions are 23-1/2" x 19-13/16", with a 3/8" corner radius, a tolerance of plus or minus 1/16" is acceptable

STANDARDS

- Third party certified to meet ASME A112.19.3/CSA B45.4 and all applicable specifications referenced therein

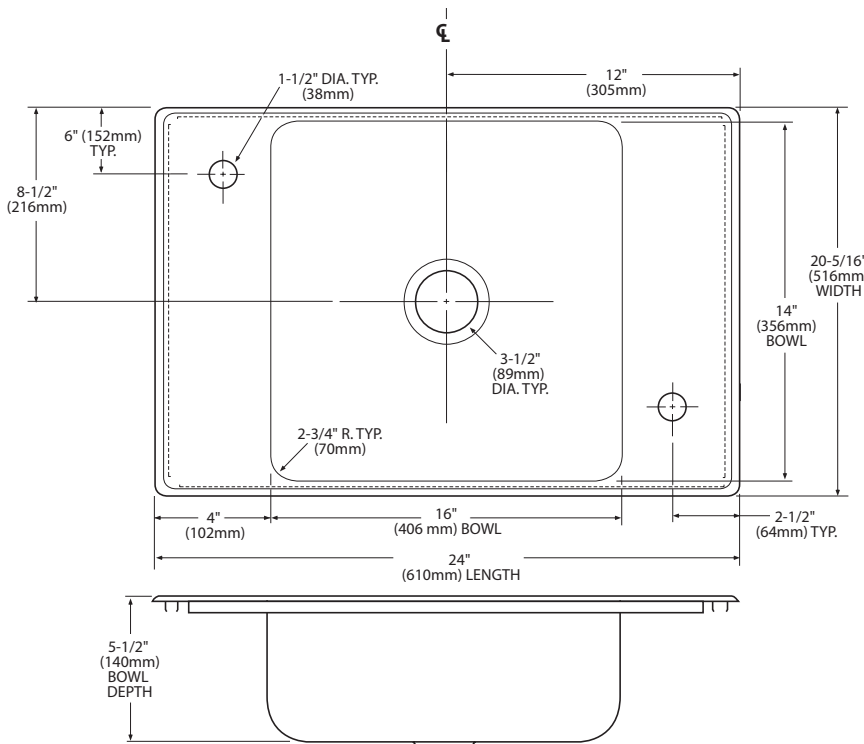
WARRANTY

- Warranted for five years against material or manufacturing defects

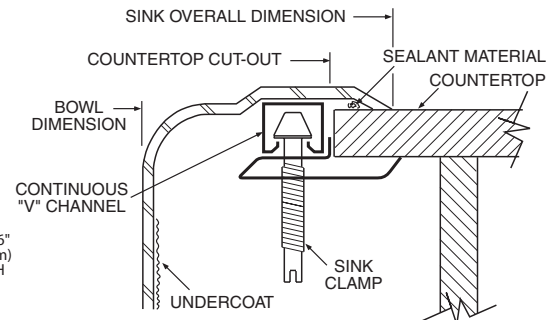


**Single Bowl Classroom Sink
Model: 22132**

(C2417)



For sinks manufactured after 9/1/2016



Installation Detail

CRITICAL DIMENSIONS

(DO NOT SCALE)

SINK DESCRIPTION

- Manufactured of 20 gauge, nickel-bearing stainless steel
- Single bowl is 14" x 16" x 5-1/2"
- The sink ledge has two fixture mounting holes, 1-1/2" in diameter located on each end of the sink
- Has one 3-1/2" diameter recessed drain opening
- Soundshield undercoating maximizes sound deadening and inhibits condensation
- The exposed surfaces are polished to a lustrous satin tone finish
- Includes all necessary mounting hardware

CUT OUT DIMENSIONS (For sinks manufactured before 9/1/2016)

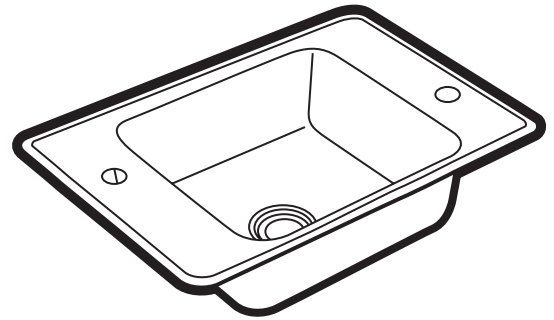
- Cut out dimensions are 23-1/2" x 16-1/2", with a 3/8" corner radius, a tolerance of plus or minus 1/16" is acceptable

STANDARDS

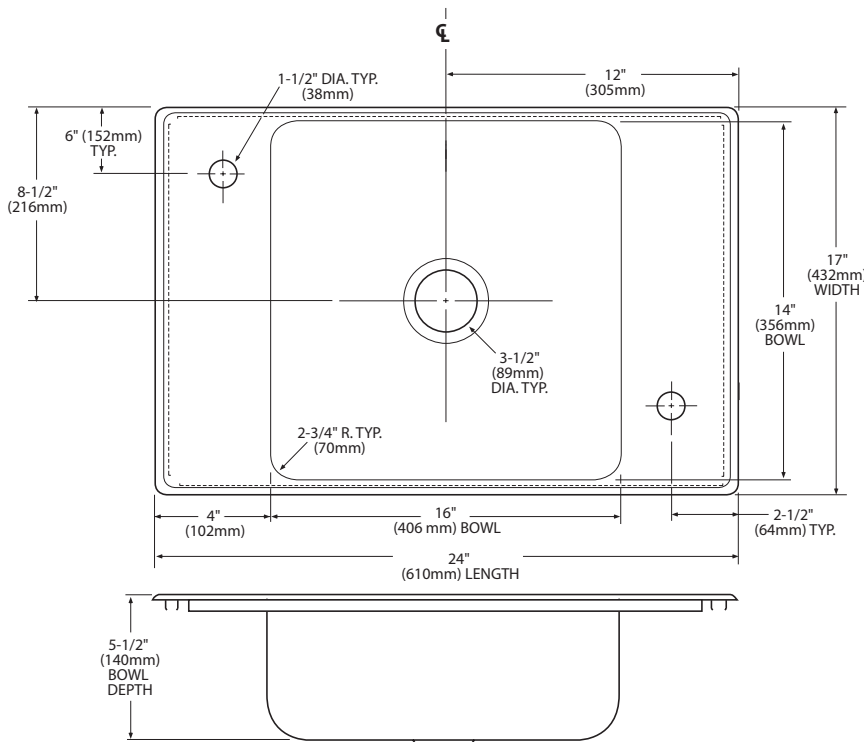
- Third party certified to meet ASME A112.19.3/CSA B45.4 and all applicable specifications referenced therein

WARRANTY

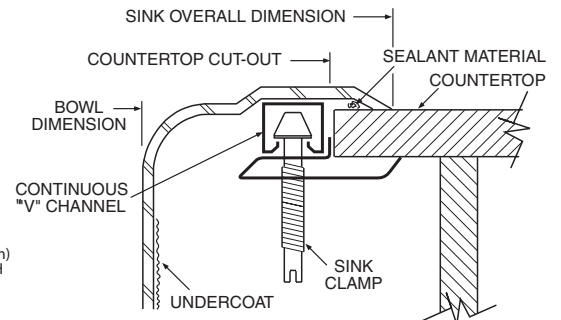
- Warranted for five years against material or manufacturing defects



Single Bowl Classroom Sink
Model: 22132
(C2417)



For sinks manufactured before 9/1/2016



Installation Detail

CRITICAL DIMENSIONS

(DO NOT SCALE)