



Buy it for looks. Buy it for life.®

Specifications

SINK DESCRIPTION

- Manufactured of 22 gauge stainless steel
- The large bowl is a minimum of 21-1/4" x 16" x 7-1/4"
- The sink ledge has one fixture mounting hole, 1-1/2" in diameter
- Has one 3-1/2" diameter recessed drain opening
- Soundshield undercoating maximizes sound deadening and inhibits condensation
- Made in U.S.A.
- Includes all necessary mounting hardware

CUT OUT DIMENSIONS

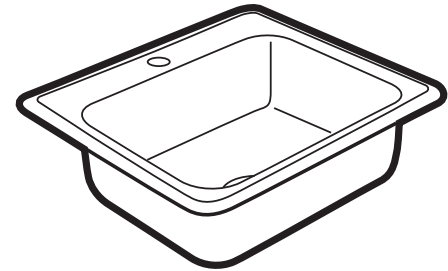
- Cut out dimensions are 24-3/8" x 21-3/8", with a 1-1/2" corner radius. A tolerance of plus or minus 1/16" is acceptable

STANDARDS

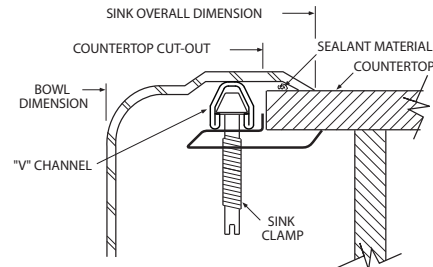
- Third party certified to ASME A112.19.3/CSA B45.4 and all applicable requirements referenced therein

WARRANTY

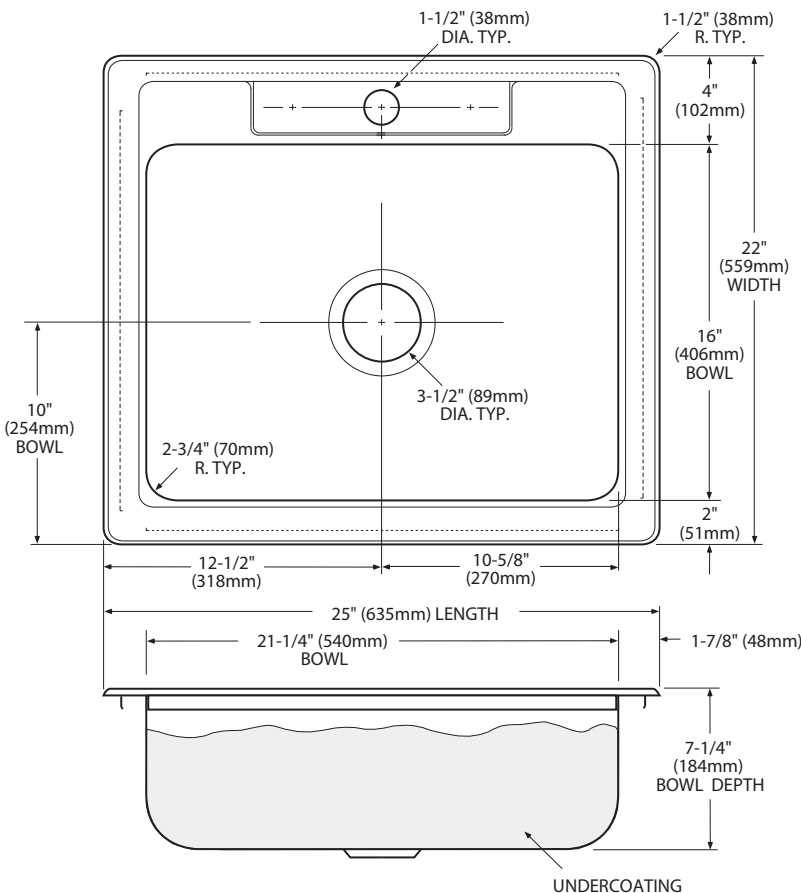
- Warranted for five years against material or manufacturing defects



Excalibur®
Single Bowl Sink
Model: 22887
(ED-2522-1-7.25)



Installation Detail



CRITICAL DIMENSIONS

(DO NOT SCALE)

FOR MORE INFORMATION CALL: 1-800-BUY-MOEN

www.moen.com