

SINK DESCRIPTION

- Manufactured of 18 gauge stainless steel
- Single bowl is 16" x 14" x 11" deep
- Has one 3-1/2" diameter recessed drain opening
- Soundshield undercoating maximizes sound deadening and inhibits condensation
- Made in USA
- Includes all necessary mounting hardware

CUT OUT DIMENSIONS

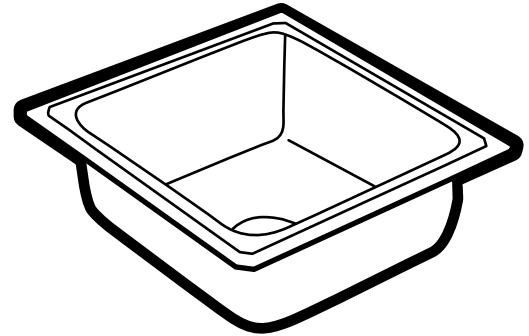
- Cut out dimensions are 17-5/8" x 15-5/8", with a 3/4" corner radius. A tolerance of plus or minus 1/16" is acceptable

STANDARDS

- Third party certified to ASME A112.19.3M/CSA B45.4 and all applicable specifications referenced therein

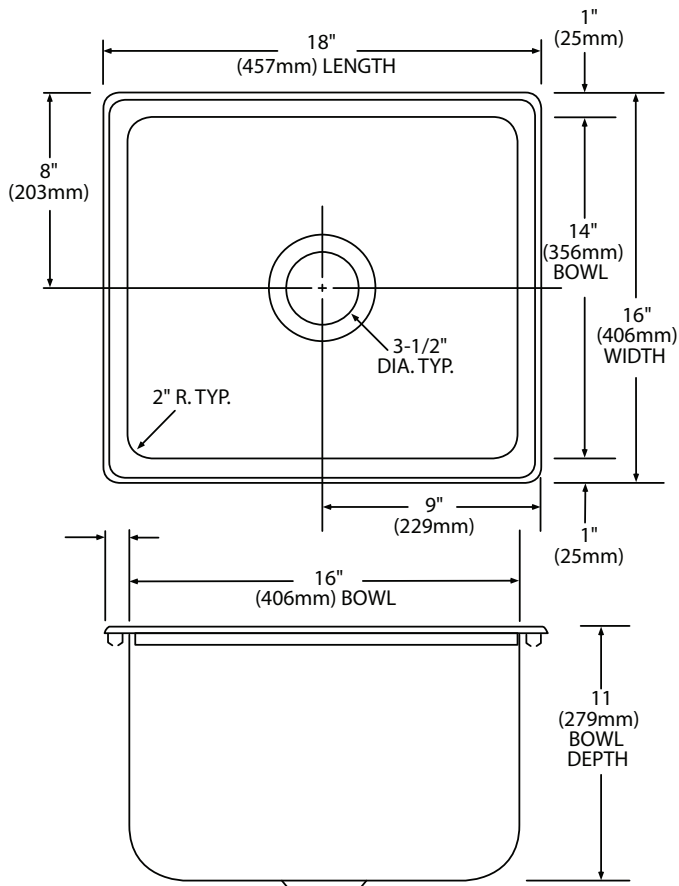
WARRANTY

- Warranted for five years against material or manufacturing defects



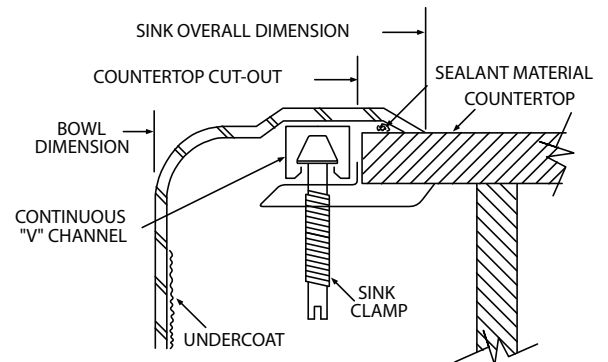
**Single Bowl Kitchen Sink
Model: 22124**

(H-1618)



CRITICAL DIMENSIONS

(DO NOT SCALE)



Installation Detail