

## DESCRIPTION

- Metal construction with Chrome plated finish
- Pressure balancing cycle valve design with 1/4 turn stops
- Vandal resistant lever handle
- Red and blue durable plastic temperature indicators


## OPERATION

- Handle operates counterclockwise through a 270° arc with off at 6 o'clock, and the maximum hot at the 9 o'clock position
- Adjustable temperature limit stop
- Pressure balancing mechanism maintains selected discharge temperature to  $\pm 2^\circ$

## CARTRIDGE

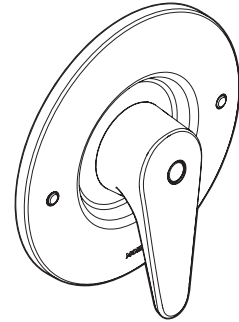
- Pair with a brass Posi-Temp® rough-in valve:
- 8370HD\*: 1/2" CC connection without integral stops
- 8371HD\*: 1/2" CC connection with integral stops
- 8372HD\*: 1/2" IPS connection with integral stops
- 8373HD\*: 1/2" PEX connection with integral stops
- 8374HD\*: 1/2" CPVC connection with integral stops
- 8375HD\*: 1/2" UPONOR connection with integral stops
- \* Includes the 1222HD Brass Posi-Temp® Cartridge
- Nonmetallic/nonferrous and stainless steel materials
- Accommodates back to back installations

## STANDARDS

- Third party certified to: ASME A112.18.1/CSA B125.1 and all applicable requirements referenced therein
- ADA  for lever handle

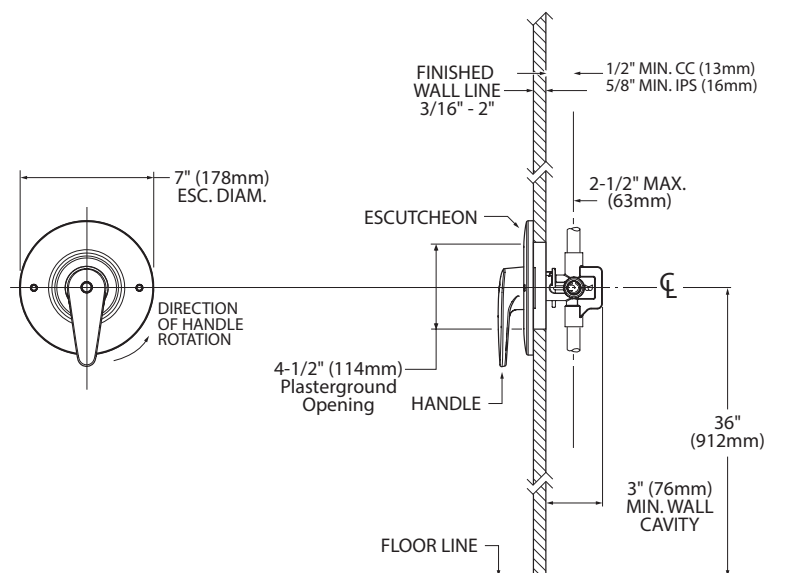
## WARRANTY

- Warranted for 5 years against material or manufacturing defects



### M-Dura™ Commercial Single-Handle Posi-Temp® Pressure Balancing Valve Trim Only

Model: T9370



## CRITICAL DIMENSIONS

(DO NOT SCALE)