



Buy it for looks. Buy it for life.®

Specifications

DESCRIPTION

- Component construction with various finishes identified by suffix
- Pressure balancing cycle valve design with an adjustable temperature limit stop
- 1/2" IPS connections
- Includes valve, showerhead, arm and flange

OPERATION

- Lever style handle
- Handle operates counterclockwise through a 270° arc with off at 6 o'clock and maximum hot at the 9 o'clock position. Shut off in clockwise direction
- Adjustable temperature limit stop to control maximum hot water temperature
- Pressure balancing mechanism maintains selected discharge temperature to ± 2°

FLOW

- Showerhead is limited to 2.5 gpm (9.5 L/min) for models prior to 10/2013
- EP suffix models and models after 10/2013, showerheads limited to 2.0 gpm (7/6 L/min) maximum, and 1.5 gpm (5.7 L/min) minimum at 45psi

CARTRIDGE

- 1222 cartridge design
- Nonmetallic/nonferrous and stainless steel materials
- Accommodates back to back installations

STANDARDS

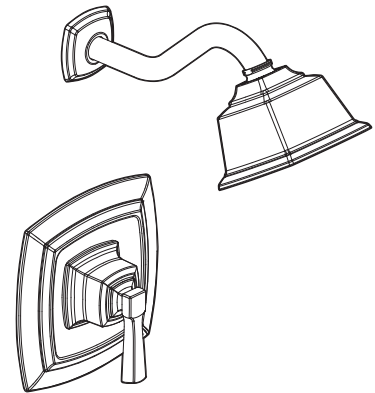
- Third party certified to ASME A112.18.1/CSA B125.1 and all applicable requirements referenced therein

- **ADA**  for lever handle

- Meets WaterSense® criteria for EP suffix models and models after 10/2013
- Meets New York City Local Law No. 57 for EP suffix model and models after 10/2013

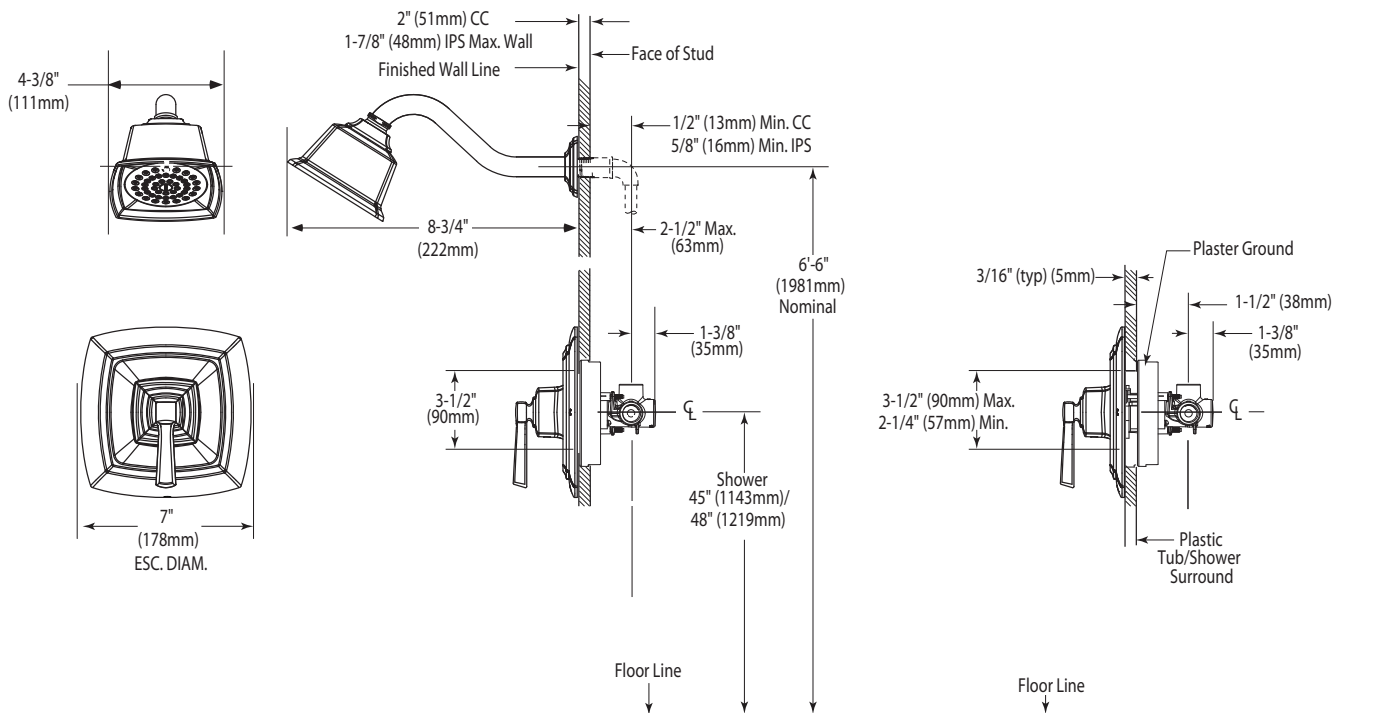
WARRANTY

- Lifetime limited warranty against leaks, drips and finish defects to the original consumer purchaser
- 5 year warranty if used in commercial installations



BOARDWALK™ Single-Handle Shower Only Eco-Performance

Model : 82835EP series



CRITICAL DIMENSIONS

(DO NOT SCALE)