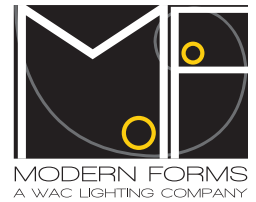


# BDSM – model: PD-51542

## LED Pendants & Chandeliers

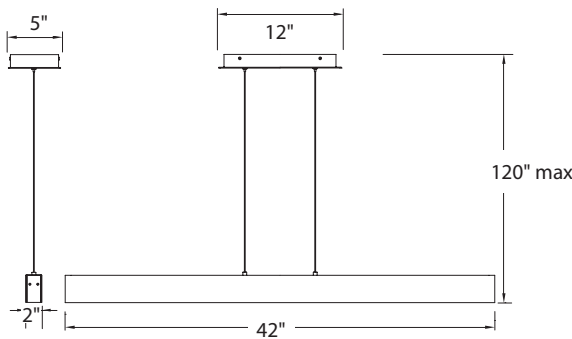


Fixture Type:

Catalog Number:

Project: \_\_\_\_\_

Location: \_\_\_\_\_



### PRODUCT DESCRIPTION

Leather-bound luxury and control. Designed with handsome vintage black or white leather and clean styling, this unique linear LED pendant is the perfect complement to an executive office. A thin streamlined profile conceals robust LED down lighting with cutting edge full-range dimming controllability.

### FEATURES

- ETL & cETL listed for damp locations
- Transformer located in canopy
- Replaceable LED module
- 277V option available (special order)
- 80,000 hour rated life
- Color Temp: 3000K
- CRI: 90

### SPECIFICATIONS

**Construction:** Aluminum with vintage leather

**Light Source:** High output LED

**Dimming:** Dims to 10% with an electronic low voltage (ELV) dimmer

**Mounting:** Mounts directly to junction box

**Finish:** Black (BK) and White (WT)

### ORDER NUMBER

Model	Length	Watt	Voltage	LED Lumens	Delivered Lumens	Finish
<b>PD-51542</b>	42"	49W	120V	3750	1700	<b>BK</b> <i>Black</i> <b>WT</b> <i>White</i>

**PD-51542** –

Example: **PD-51542-WT**

For 277V special order, add an "F" before the finish: **PD-51542F-BK**

wacighting.com  
Phone (800) 526.2588  
Fax (800) 526.2585

Headquarters/Eastern Distribution Center  
44 Harbor Park Drive  
Port Washington, NY 11050

Central Distribution Center  
1600 Distribution Ct  
Lithia Springs, GA 30122

Western Distribution Center  
1750 Archibald Avenue  
Ontario, CA 91760