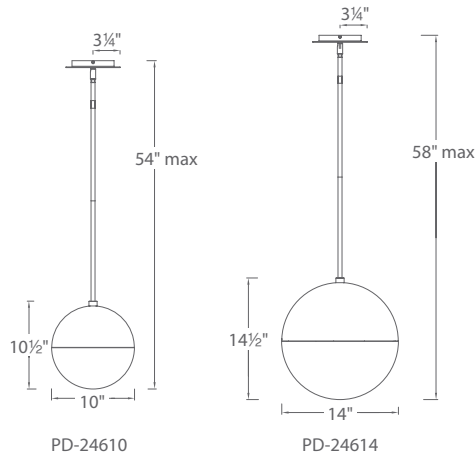
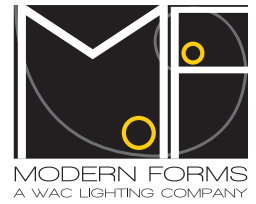


PUNK – model: PD-246

LED Interior Pendant & Chandelier



Fixture Type:

Catalog Number:

Project: _____

Location: _____

PRODUCT DESCRIPTION

Modern with a slight edge. Punk orbs combine shiny chrome with soft opal glass in a variety of sizes. Simple to incorporate and endure the test of time.

FEATURES

- ETL & cETL damp location listed
- Hang straight swivel
- CEC Title 24 Compliant
- Mouth blown etched opal glass
- 10' of wire included to extend pendant up to a total of 120", three 12" and one 6" downrods included (additional downrods available).
- Driver located in outlet box
- Universal driver (120V-220V-277V)
- Full range dimming when used with compatible dimmers
- 50,000 hour potential life
- Color Temp: 3000K
- CRI: 90

SPECIFICATIONS


Construction: Mouth blown etched opal glass.

Light Source: High output LED.

Finish: Polished Nickel (PN).

Standards: ETL & cETL damp location listed. CEC Title 24.

ORDER NUMBER

Model	Diameter	Wattage	Voltage	LED Lumens	Delivered Lumens	Finish
PD-24610	10"	18W	120V-220V-277V	1451	758	PN Polished Nickel 
PD-24614	14"	30W		2527	1563	

Example: **PD-24610-PN**

modernforms.com
Phone (800) 526.2588
Fax (800) 526.2585

Headquarters/Eastern Distribution Center
44 Harbor Park Drive
Port Washington, NY 11050

Central Distribution Center
1600 Distribution Ct
Lithia Springs, GA 30122

Western Distribution Center
1750 Archibald Avenue
Ontario, CA 91760