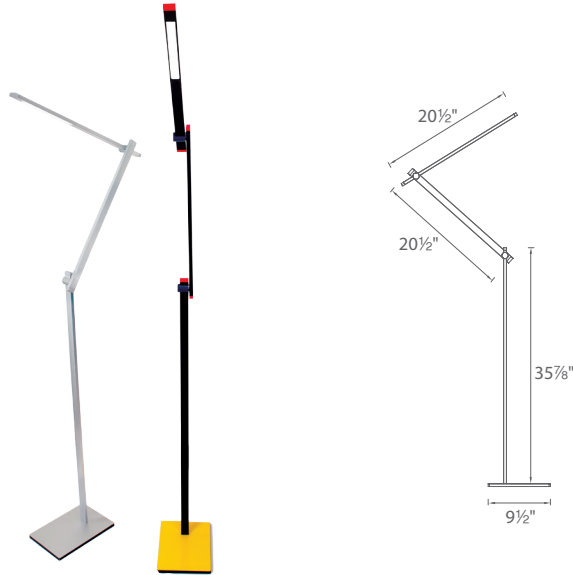
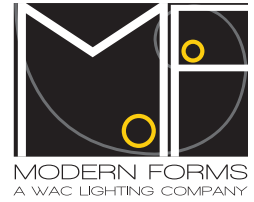


BALANCE – model: FL-1050

LED Floor Lamp



Fixture Type:

Catalog Number:

Project: _____

Location: _____

PRODUCT DESCRIPTION

Flexible versatility greets a chic composition. The adjustable swing arm fully dimmable LED luminaire blends function with vibrant aesthetics. With fingertip touch dimming, precision lighting adjustment is available with easy access and control. Balance delivers robust illumination and remains cool to the touch.

FEATURES

- Damp location listed
- Fingertip touch dimming
- Driver located at the plug
- 80,000 hour rated life
- Color Temp: 3000K
- CRI: 85

SPECIFICATIONS


Construction: Aluminum

Light Source: High output LED.

Finish: Brushed Aluminum (AL), Black (BK), Multicolor (MC)

Standards: ETL & cETL listed.

ORDER NUMBER

	Wattage	Voltage	LED Lumens	Delivered Lumens	Finish
FL-1050	11W	120V	630	455	AL <i>Brushed Aluminum</i> BK <i>Black</i> MC <i>Multicolor</i> 

Example: **FL-1050-BK**

modernforms.com
Phone (800) 526.2588
Fax (800) 526.2585

Headquarters/Eastern Distribution Center
44 Harbor Park Drive
Port Washington, NY 11050

Central Distribution Center
1600 Distribution Ct
Lithia Springs, GA 30122

Western Distribution Center
1750 Archibald Avenue
Ontario, CA 91760