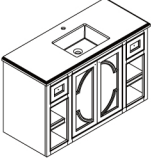




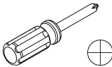
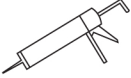




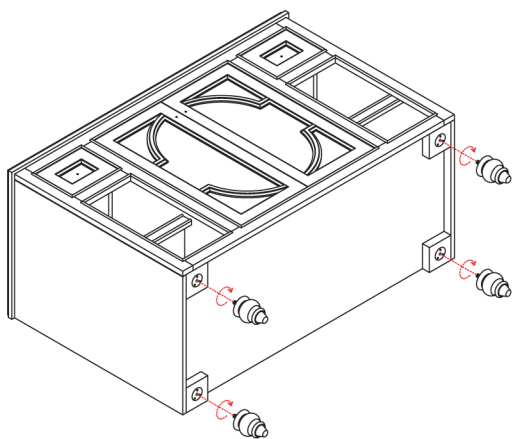
Model: Odyssey - 48"

Installation Instructions

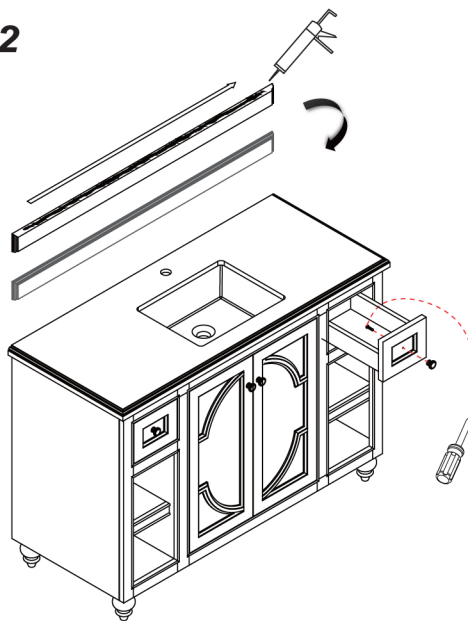
Notes: We recommend that you rough-in the drain and water lines after receiving the unit.
The vanity should be installed by a professional plumber.
Drainer pipe and trap are not included.

	A (cabinet)	B (backsplash)	C (screw)	D (handle)	E (foot)
Part List	 x1	 x1	 x4	 x4	 x4
Tools required	 screwdriver(phillips)	 silicone	 level	 tape measure	

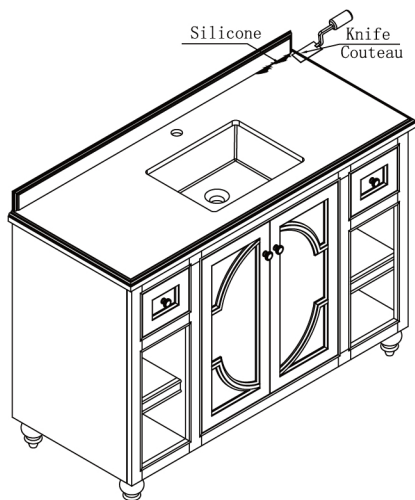
Step 1



Step 2



Step 3



Step 4

