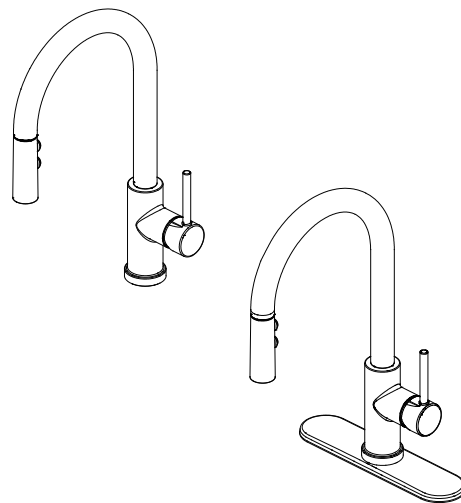


MISENO

SINGLE HANDLE PULL-DOWN KITCHEN FAUCET

Model:

MNO191ECP
MNO191EZSS
MNO191EFB
MNO191ECG



CAUTION-TIPS FOR REMOVAL OF OLD FAUCET:

Always turn off water supply before removing existing faucet or replacing any part of the faucet. Open the faucet handle to relieve water pressure and ensure that water is completely shut off.

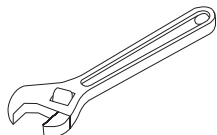
CARE INSTRUCTIONS:

To preserve the finish of your faucet, apply non-abrasive wax. Any cleaners should be rinsed off immediately. Do not use abrasive cleaners on the faucet.

You may need/Usted puede necesitar



Goggles



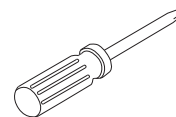
Wrench



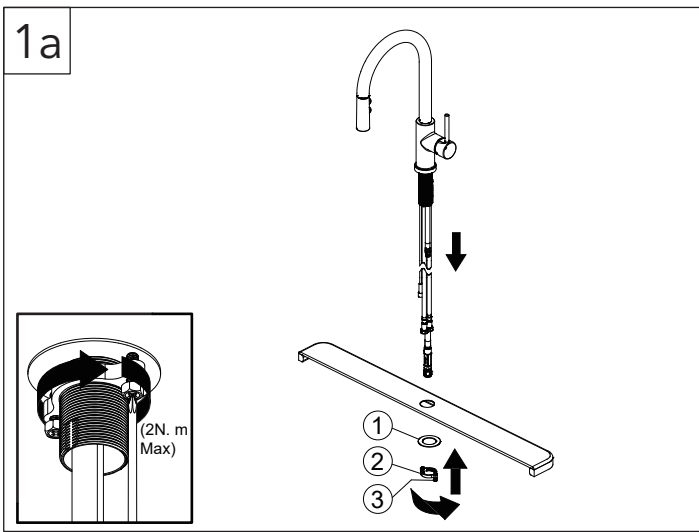
Tape Measure



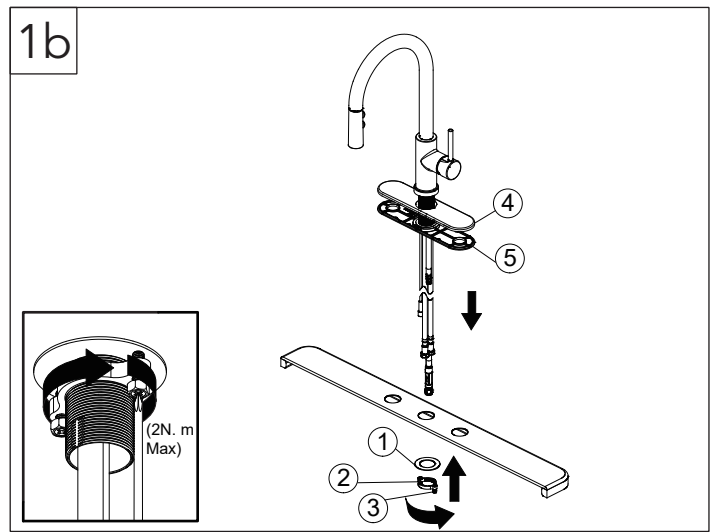
Hex Wrench



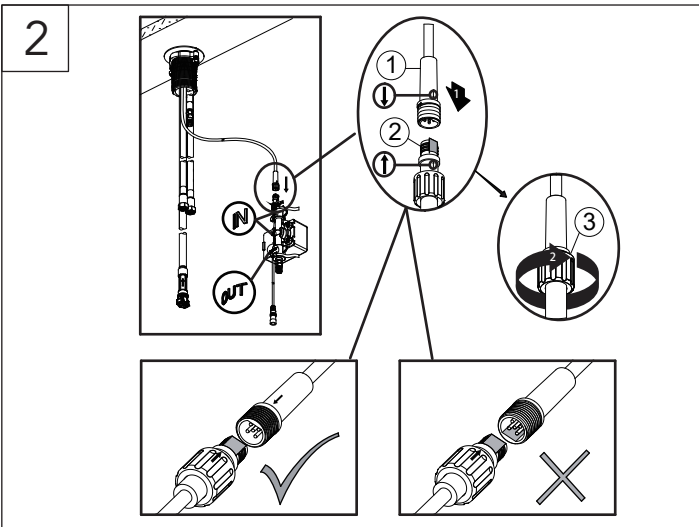
Phillips Head Screwdriver



Shut off water supplies. Place new faucet through holes in top of sink. Install metal washer (1) onto the threaded mounting shank. Thread nut (2) onto mounting shank. Lock nut into position by tightening screws (3). Do not overtighten. If installing the faucet with the escutcheon, begin with step 1b.

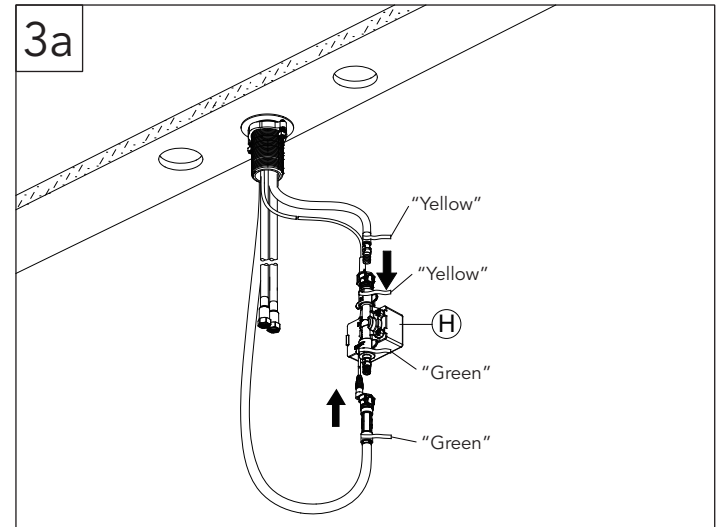


Shut off water supplies. Place the escutcheon (4) and the gasket (5) on the bottom of the new faucet assembly. Place new faucet through holes in top of sink. Install metal washer (1) onto the threaded mounting shank. Thread nut (2) onto mounting shank. Lock nut into position by tightening screws (3). Do not over tighten. Note: If the sink surface is uneven or irregular, plumber's putty or a silicone sealant may be used to create a watertight seal. Plumber's putty may have an adverse reaction with plastic gaskets under the spout base so if your faucet has a plastic gasket, use a high quality silicone sealant. Plumber's putty also may have an adverse reaction with some cultured marble or natural stone. In these cases a high quality silicone sealant is recommended.

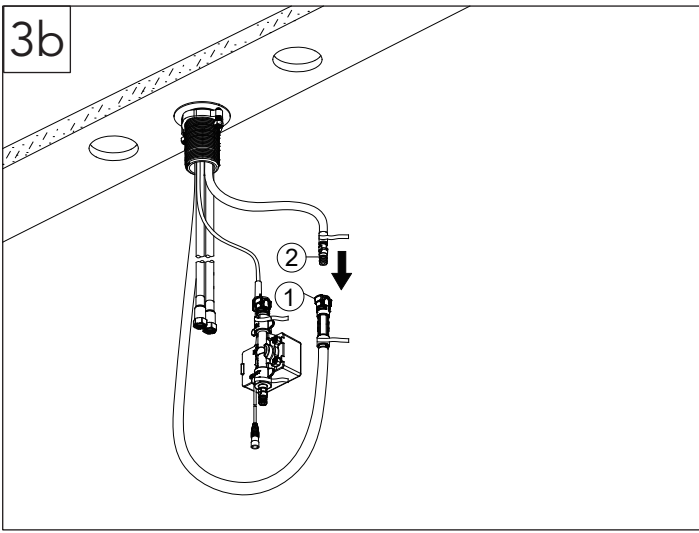


Install the data cable (1) to the control box connection (2). Ensure the arrows on the data cable and control box connection are aligned to one another to ensure proper installation. Ensure they are tightly connected by firmly pushing together. Secure the connection by hand tightening the nut (3) in a clockwise direction onto the threaded sensor cable.

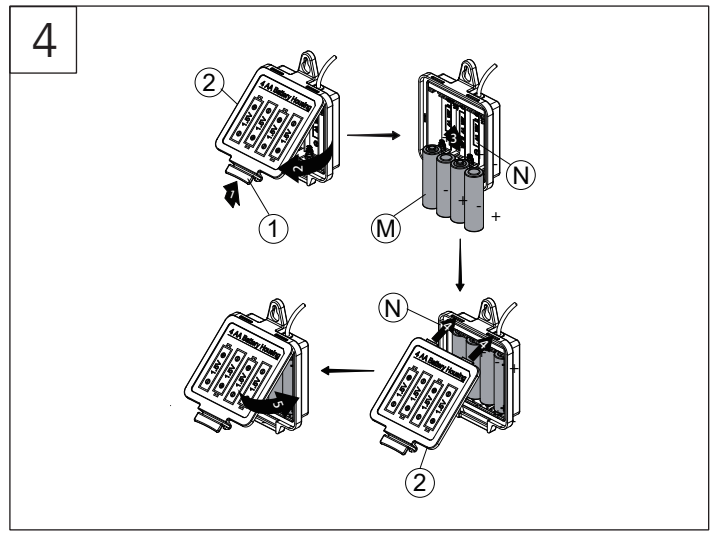
NOTE: The side of the control box (H) with "in" and "out" showing must face the front of the cabinet (away from the back of the cabinet). If the connections are not made properly, the sensor feature will not work.



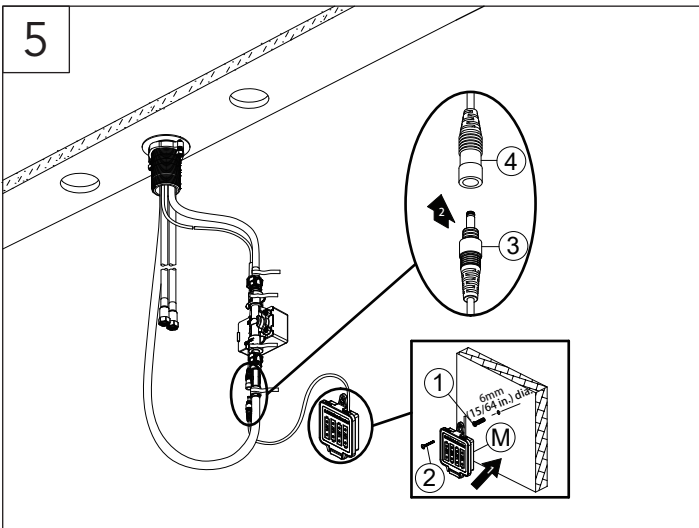
Connect the hose with the yellow tag to the hose on the control box (H) with a matching yellow tag. Push firmly together until they snap into place. Connect the hose with the green tag to the hose on the control box (H) with a matching green tag. Push firmly together until they snap into place.



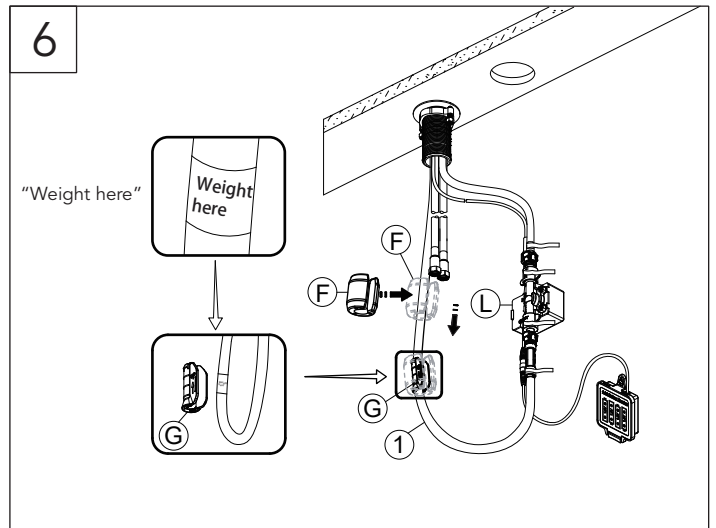
OPTIONAL: If you want to use the faucet without the sensor feature or without power, you can attach the quick connector (1) to the receiving block (2). This bypasses the sensor feature and enables the faucet to work by operating the handle.



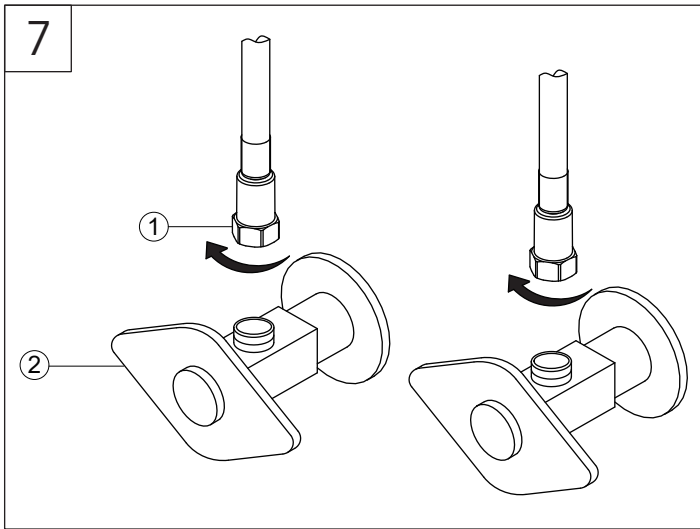
To open the battery housing, squeeze the tabs (1) on the cover (2), then remove the cover (2). Install the four AA batteries (M) included by matching the positive (+) and Negative (-) ends on the battery (M) to the (+) and (-) markings in the battery pack (N). The negative ends of the battery (M) should always connect to the spring end of the battery slots in the battery pack (N). Reinstall the battery pack cover (2) by pushing up and snapping into place.
NOTE: When the sensor flashes 10 times continuously and slowly, the batteries have lost their charge. Replace the batteries (M).



Drill a hole in the wall using a 6 mm (15/64 in.) diameter drill bit. Install the battery pack (M) using the molly anchor (1) and screw (2) provided. Insert the battery pack cable (3) into the control box connection (4).
NOTE: After installing the battery pack, the light on the sensor will flash and the faucet control box will make a "click" sound when you move your hand in the sensor area. If not, check to ensure the batteries are installed correctly.

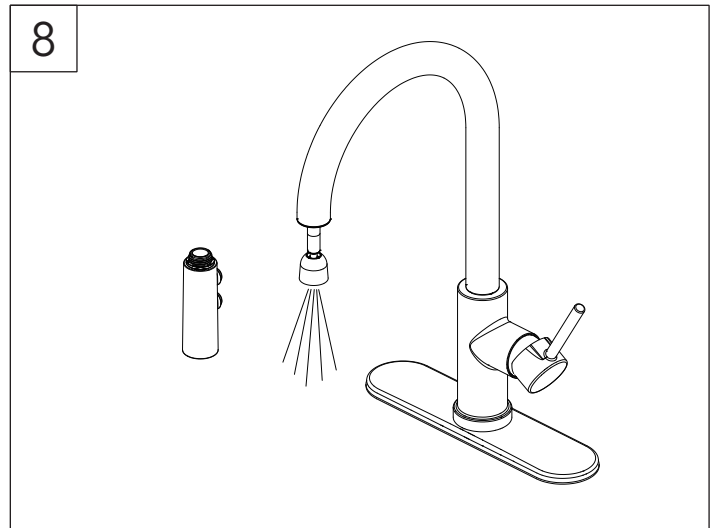


Install the weight clip (G) at the point of the hose (1) marking "weight here". Insert the weight (F) onto the clip (G) by sliding it down onto the clip (G).



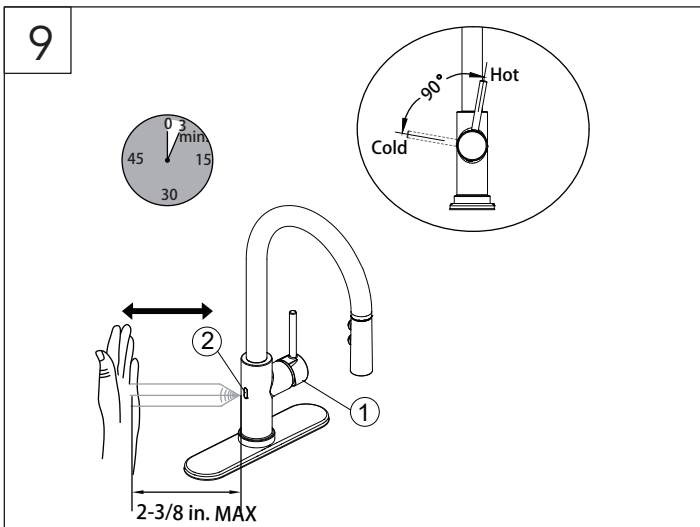
7

Making the waterline connections
Thread the nut (1) on supply line onto outlet of water supply valve (2) and tighten with wrench. Do not over tighten.



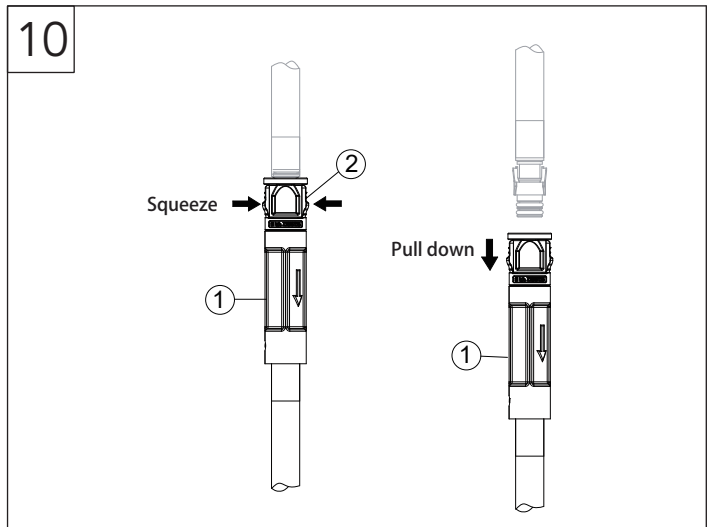
8

IMPORTANT: After installation is complete, remove the sprayer by unscrewing it in a counter-clockwise direction. Turn on the water supply to flush debris from the faucet. Run the hot and cold water for at least one minute each. This flushes away any debris that could cause damage to internal parts.



9

Turn the handle (1) away from the faucet to the full on position. Turn the water on by activating the sensor (2) by waving your hand within 2-3/8 inches of the sensor. Move handle towards you and away from you, the water flow pattern can be switched from the cold water to hot water. If the sensor does not work, then you can refer to the troubleshooting. If you want to use the faucet without the sensor feature, then you can refer to step 3b. Then, turning on the water can be done by moving the handle away from the faucet to the full on position.
NOTE: As a water saving feature, the water will turn off automatically after 3 minutes of continuous flow.



10

If it is necessary to remove the quick connector (1), squeeze the tabs (2) on the quick connector and then pull down to disconnect.

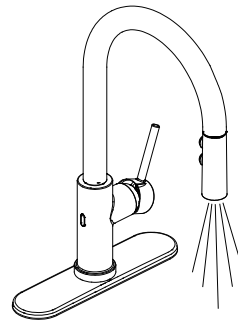
1. Maintenance:

Water will not shut off when turning the handle to the OFF position.

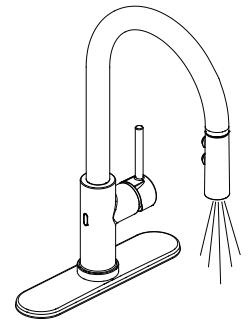
1a. When you turn the handle to the full on position, the water will turn on.

1b. But when you turn the handle to the full off position, the water does not turn off.

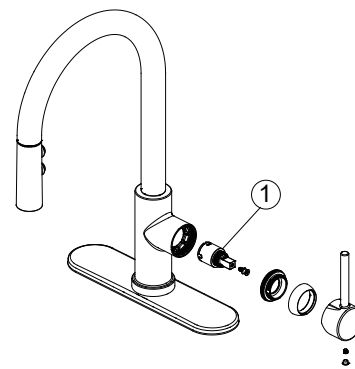
1c. If faucet leaks underneath handle or water does not completely shut off: replace cartridge (1).



1a



1b

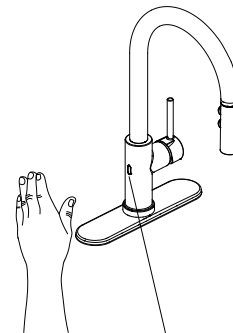


1c

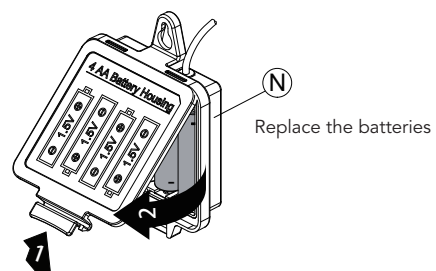
2. Maintenance:

The light on the sensor is flashing continuously.

If the handle is closed, turn the handle to the on position and move your hand in the sensor area. If the sensor flashes 10 times continuously and slowly, then replace the 4 "AA" batteries.



Flash 10 times continuously and slowly.



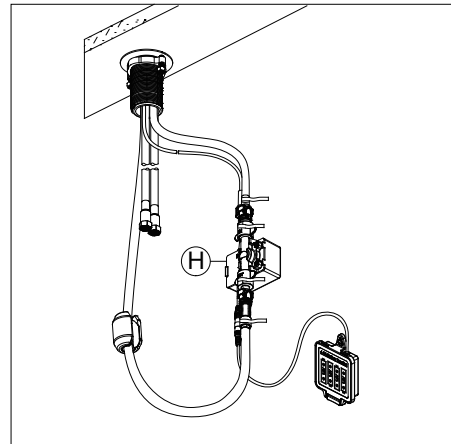
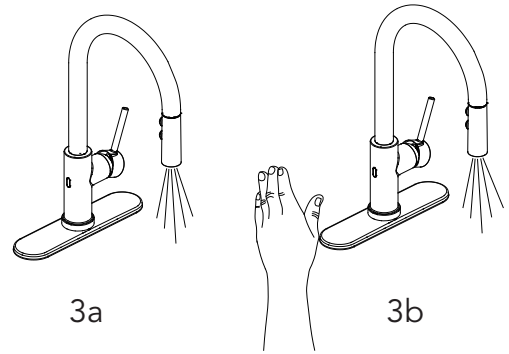
3. Maintenance:

The sensor is not activating the water flow.

3a. When you turn the handle to the full on position, the water will turn on.

3b. However, when you move your hand in front of the sensor, the water does not turn off as it should.

3c. This indicates that the control box is damaged. Call customer service to request a replacement control box. Replace the old control box with the new control box.



3c

4. Maintenance:

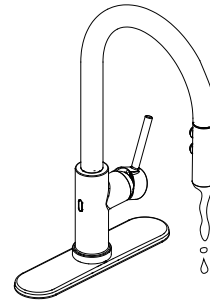
There is a low flow of water.

4a. There is a low flow of water or LED indicator in the spray head is not functioning.

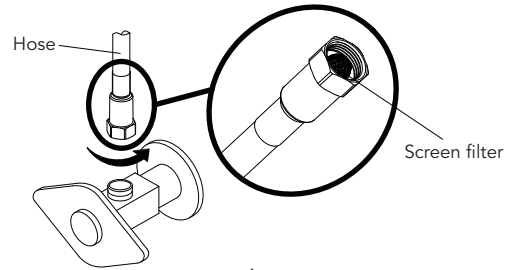
4b. This could indicate that the screen filter in the hose connectors is dirty. Turn off the water supply and unscrew the hose connectors from water supply lines. Clean the screen filter in the hose connectors under running water.

4c. This could indicate that the washer in the "in" end of the control box is dirty or damaged. Remove the hose and unscrew the connector. Take out the washer from the control box. Clear the washer or replace the washer. Reassemble the connector and hose.

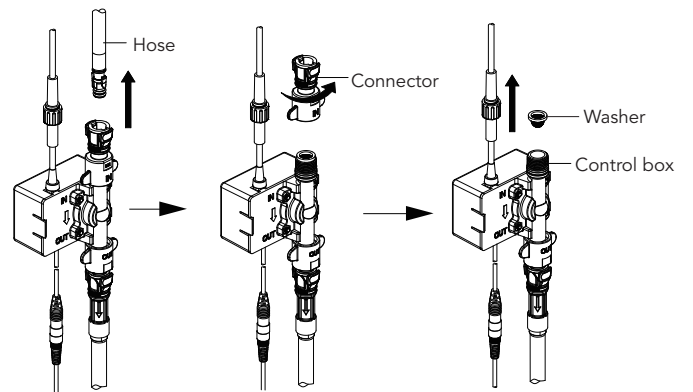
4d. Or the screen filter in the spray head is dirty. Turn off the water supply and unscrew the spray head from spray hose. Clean the screen filter in the spray head under running water.



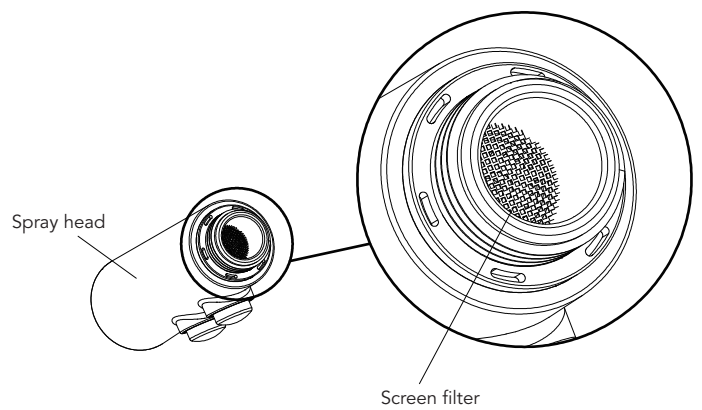
4a



4b



4c



4d

* Specify Finish

