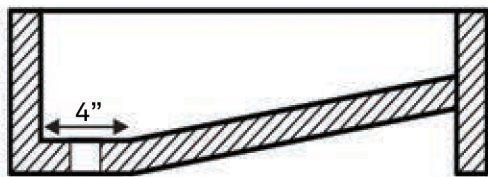
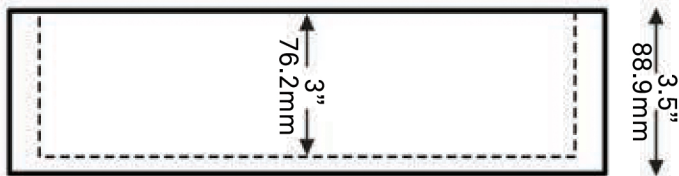
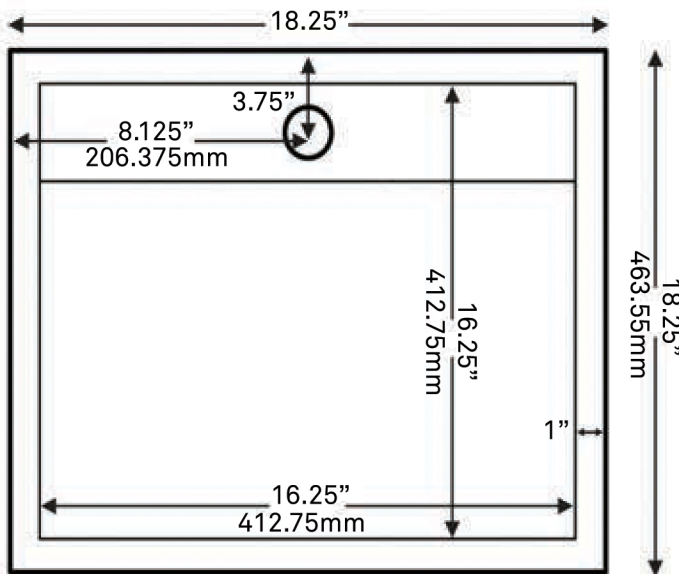




**NOSV-ANSQ**  
**Absolute Black Granite Square**  
**Vessel Sink with Chiseled Exterior**

Requested By: \_\_\_\_\_

Specific Features: \_\_\_\_\_



**STANDARD SPECIFICATIONS:**

- Square granite vessel sink
- Polished black interior
- Natural textured exterior
- Hand crafted by our master artisans
- Above counter installation
- No mounting ring required
- Standard U.S. plumbing connection
- Due to its handcrafted nature, always measure sink on-site to ensure cut-out accuracy.

**WARRANTY:**

Limited lifetime warranty

- See [www.Novatto.com](http://www.Novatto.com) for details

**COORDINATING ACCESSORIES:**

- UPD-BN/CH/ORB/MB umbrella drain
- Glacier Ice Restoration and Sealer kit

**NOTES**

Novatto reserves the right (1) to make changes in specifications and materials, and (2) to change or discontinue models, both without notice or obligation. Dimensions are for reference only, see [www.Novatto.com](http://www.Novatto.com) for finish options and product availability.

Novatto Inc  
 TOLL FREE 844.404.4242  
[www.Novatto.com](http://www.Novatto.com)