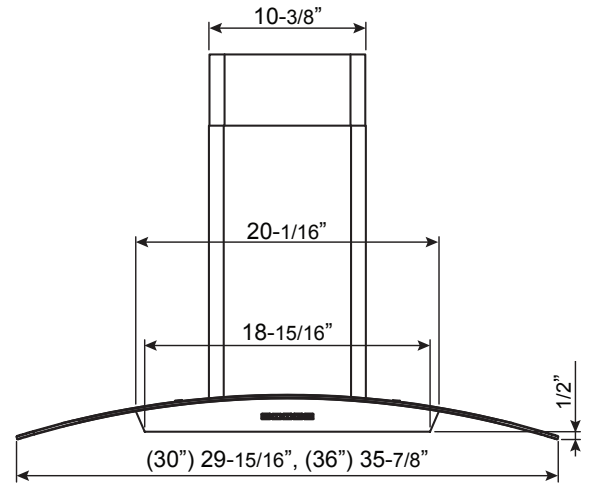


# RH012

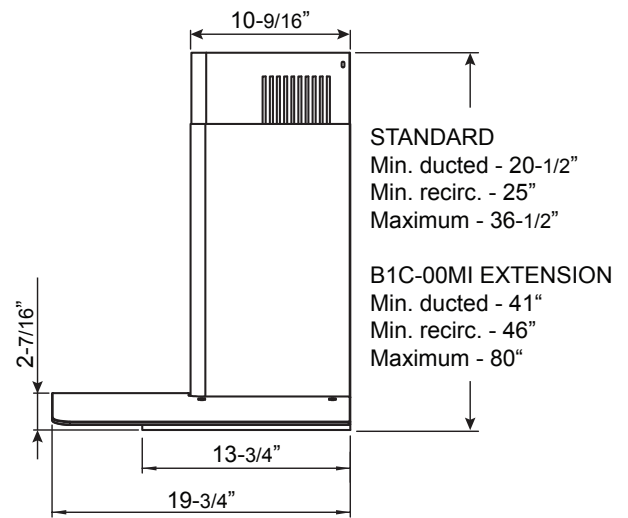
## glass canopy wall hood



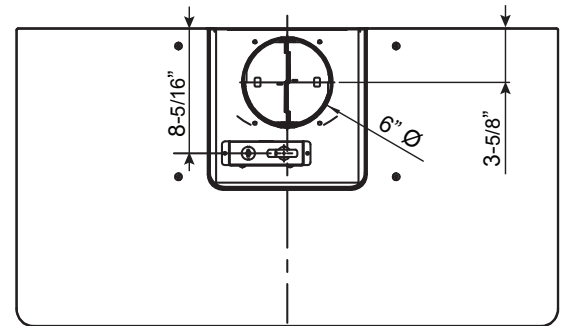
30" model shown



FRONT



SIDE



C/L  
TOP

<b>MODEL</b>	RH01230AG RH01236AG
<b>SIZE</b>	30"   36"
<b>NET WIDTH</b>	29-15/16"   35-7/8"
<b>MAX. CFM</b>	400
<b>CFM SELECTOR*</b>	290
<b>MAX. SONES</b>	5
<b>FEATURES</b>	
<b>color</b>	stainless steel + clear glass
<b>controls</b>	3-speed, electronic
<b>lighting</b>	LED (2)
<b>dual level lighting</b>	yes
<b>filters</b>	mesh (1)
<b>recirculating option</b>	yes
<b>extension duct cover</b>	yes
<b>DUCT SPECIFICATIONS</b>	
<b>vertical</b>	6" round
<b>horizontal</b>	NA
<b>ACCESSORIES</b>	
<b>recirculating kit</b>	RHRK012S
<b>extension duct cover</b>	B1C-00MI (up to 12' ceiling)
<b>AC INPUT</b>	120v, 60hz
<b>AC POWER</b>	max. 360w @ 3a
<b>INSTALLATION HEIGHT**</b>	26" - 34"

\*CFM Selector enables the installer to limit the maximum CFM to meet local codes. When enabled, the fan speeds will be reduced as follows; 390 CFM = 2 speeds, 290 CFM = 1 speed.

\*\*installation height is the distance between top of cooking surface and bottom of hood.



2023.05

support@appliance-support.com | 1.888.750.1698