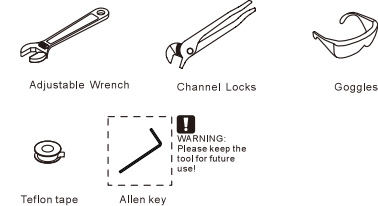


Automatic hot and cold water mixer faucet

product is CUPC, AB1953, WATERSENSE and NSF certified.

ASME A112.18.1/CSA B125.1

RECOMMENDED TOOLS



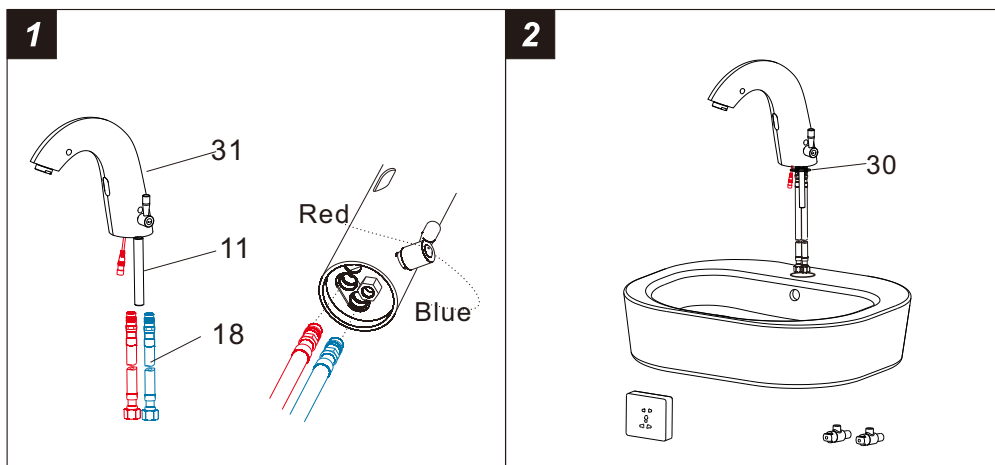
Attention:
for easy installation, you will need:
1.To read all the installation instruction completely before beginning.
2.To read all the warning, attention and maintenance information.
3.To purchase the proper supply lines.

Simple Troubleshooting:

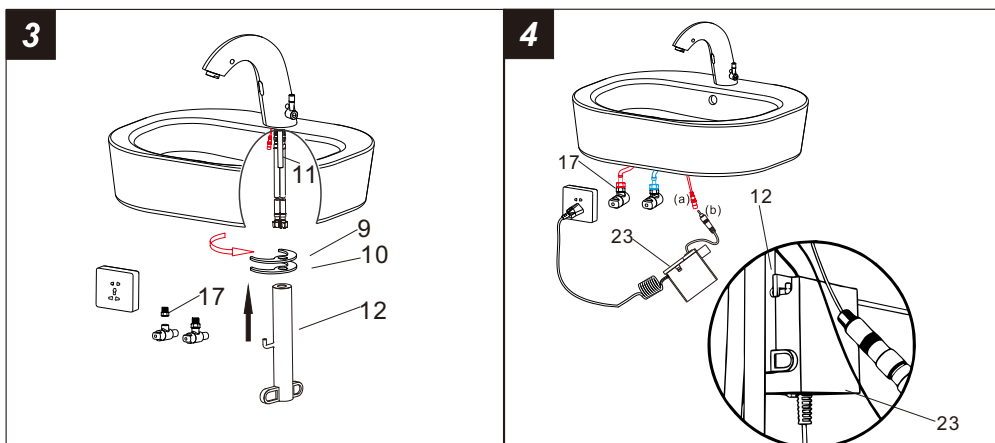
NO.	DESCRIPTION	NO.	DESCRIPTION
1	Cartridge	17	Adaptor
2	Sleeve for small handle	18	Hot & cold hose
3	Handle bar	19	Check valve
4	Sensing window	20	Rubber
5	Shell	21	Base
6	Aerator	22	Philips round head screws
7	Washer	23	Control box
8	O-ring	24	Hex nut
9	Rubber washer	25	Solenoid valve
10	Metal washer	26	Hexagon socket flat head screws
11	Iron rod	27	Adapter
12	Plastic fixer	28	Connecting rod
13	Nut	29	O-ring
14	Brass Nut	30	O-ring
15	Pressure cap	31	Main body
16	Hot and cold indicator		

Problem	Reason	Solution
No water comes out	Batteries run out	Replace with new batteries
	Electricity cut off	Wait for power to resume
	Power failure	Check power connection
	Water supply has been cut	Wait for water to resume
	Filter blocked	Clean the filter
	Washing more than 1 min.	Use it 10s later
Can't stop flowing	Batteries run out	Replace with new batteries
	Electricity has been cut	Wait for electricity to resume
	Power failure	Check power connection
	Obstacle blocked	Remove the obstacle
Shut off faucet but low water flows	Low water pressure	Reset water pressure
	Filter is too dirty	Clean the filter
Water rate is too small	Inlet hose too small	Change to a standard size hose
	Triangular valve didn't open	Open the valve at full
	Low water pressure	Reset water pressure
Batteries have short life span	Used poor quality batteries	Replace with new batteries

Step 1 Faucet installation



1. Install the hot & cold hose(18) and iron rod(11) on the sensor faucet body(31) and fixed them.
2. Place o-ring (30) below faucet. And then put them into the basin hole.



3. Place rubber washer(9) and metal washer(10) onto iron rod(11). Use plastic fixer (12) to fix it.

Connect the adaptor(17) to water supply valve.

4. Connect electric wire (a)-(b). Attach the control box(23) on the plastic fixer(12).

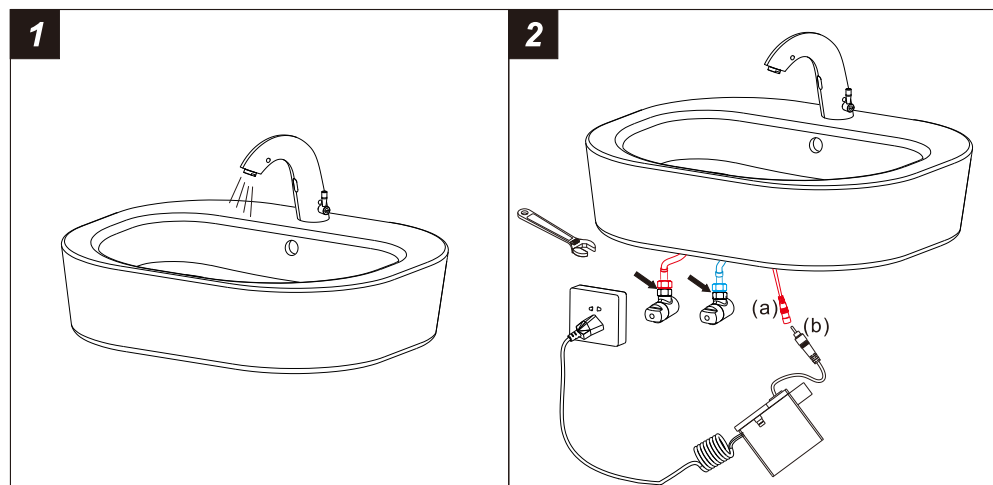
Connect the flexible hoses to water supply valve (not included) and copper tubes, and tighten it with adjustable wrench. **DON'T OVER TIGHTEN!**

Caution: make sure connect the hot and cold flexible hose to supply valves correctly.



Warning: The supply valves are not included, please purchase them in plumbshop.

Step 2 Checking and testing



1. Put your hand to sensor area to turn on the water, adjust the temperature by switching the small handle. Repeat turning the water 3-5 times.
2. Check all the connections at arrow for leaks, re-tighten it if necessary.



BUT DON'T OVERTIGHTEN

Step 3 Cleaning and care

Daily cleaning and care are required in order to keep the product shining and properly working.

- 1 Clean it with water and dry it with soft cloth.
- 2 Clean the product with gentle liquid or glass cleaner.
- 3 Don't use acid cleaner.
- 4 Don't clean with abrasive material, abrasive paper or knife.

• Installation of battery

You can use a screwdriver (not included) as a tool to take out the side cover of the control box and install 4xAA batteries into the battery compartment.

