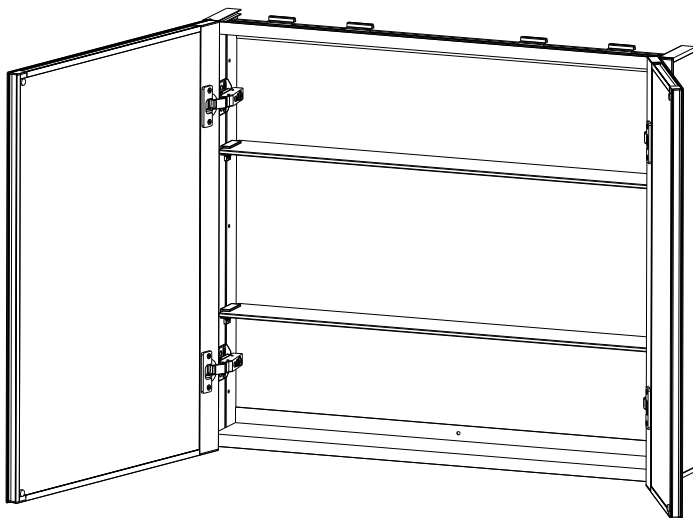
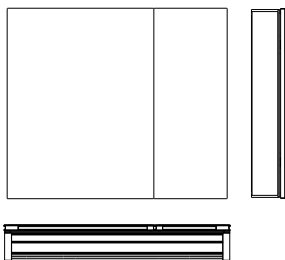


MISENO

Installation Instructions



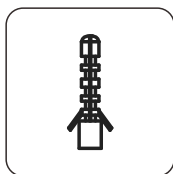
Wall Mounted Mirror Cabinet



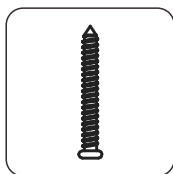
- Adjustable stainless steel buffer hinge
- Double layer adjustable tempered glass shelf
- Aluminum alloy cabinet
- Double-sided copper-free silver mirror

Note: Instructions for double door mirror cabinet

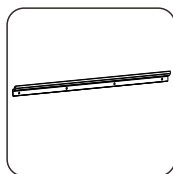
Packing List



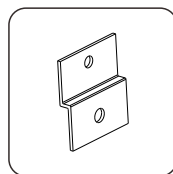
Expansion plug ø8



Screw M5

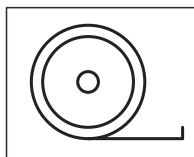


Aluminum alloy bar

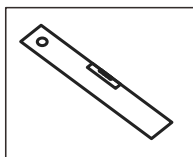


L-Mounting Clip

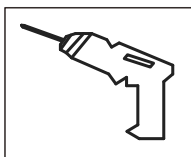
Required tools



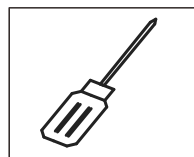
Tape measure



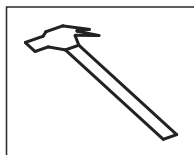
Spirit level



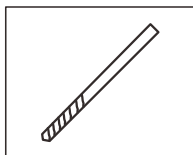
Electric drill



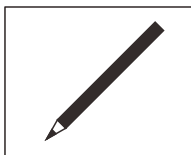
Screwdriver



Hammer



Drill bit



Pencil

Note: Please carefully read the following before installing



Warning

1. Before installing the product, please carefully read the instructions and operate accordingly;
2. Before installing, please turn off the main power switch and ensure that it won't turn on;
3. The installation of this product requires that the staff has some electrical knowledge;
4. This mirror cabinet is heavy; do not lift or install with single person in order to avoid injury;
5. Before installing, please check whether the product is broken, to avoid injury caused by damaged glass;
6. Do not clean the product surface with acid and alkaline cleaning agent; please use a damp cloth.

Installation method of Surface Mount

1. Fixing the bar

- 1.1 Open the product packaging, and check whether the product has any exception or functional damage; if yes, please return it to the dealer.
- 1.2 After selecting the location of the mirror cabinet, check whether the wall is solid, measure the distance of the holes (A, A-1, A-2) in the aluminum alloy bar with a tape measure and mark it on the wall with a pencil (Fig. 1).
- 1.3 Drill holes in the marked position with electric drill and $\varnothing 8$ drill bit, and use special ceramic drill if the wall surface is ceramic tile.
- 1.4 Knock the expansion plugs into the holes in the wall with a hammer, and then tighten the screws with a screwdriver to fix the bar, and calibrate the level with a spirit level (Fig. 2).

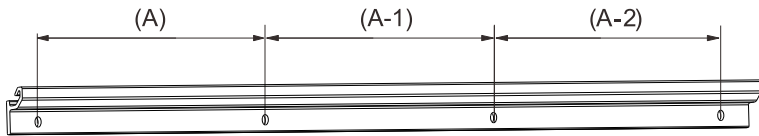


Fig. 1

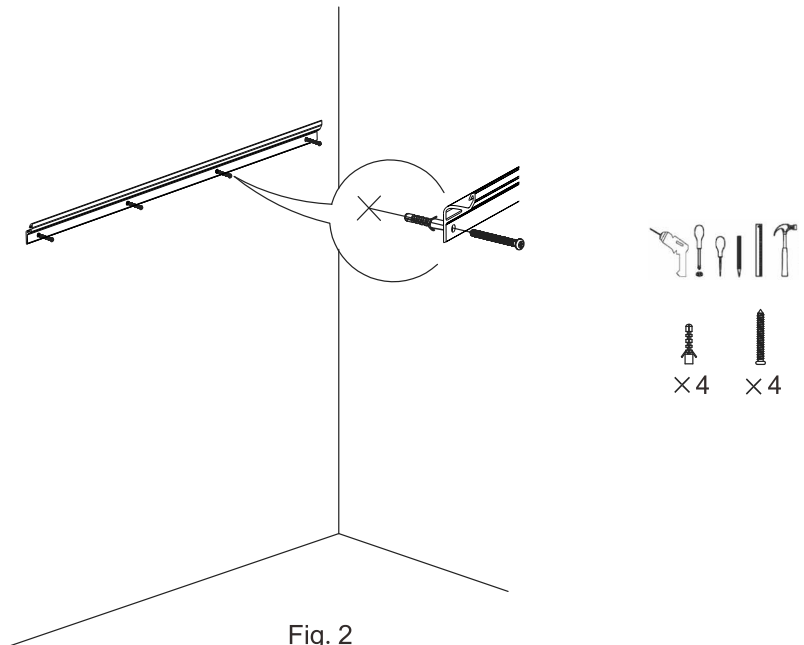


Fig. 2

2. Positioning and Installation of Mirror Cabinet:

- 2.1 Lock the L-Mounting Clip at the bottom of the cabinet (Fig.3),
Left (big door),Right(small door)opening(Fig.3-a),Left (small door),
Right(big door)opening(Fig.3-b).
- 2.2 Lock the side fixing block to the cabinet with screws(Fig.4).
- 2.3 Insert the surrounding aluminum plate into the cabinet bracket(Fig.5).
- 2.4 Install the mirror cabinet on the hanging strip ,see details in
Fig.6. Choose right locating place and use pencil to make sign
on the wall through the base fixing the hole (Fig.6-c).
- 2.5 Remove the mirror cabinet, drill the fixing hole in the wall in the
marked position, and place the expansion plugs (Fig. 7).
- 2.6 Repeat the operation as shown in Fig.6 and mount the
mirror cabinet to the bar.

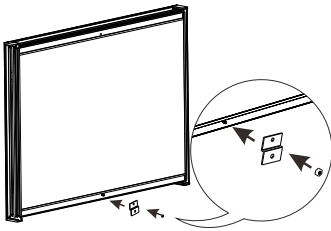
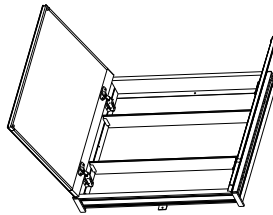
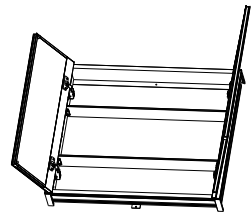


Fig.3



a



b

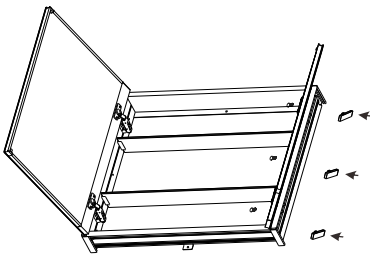


Fig.4

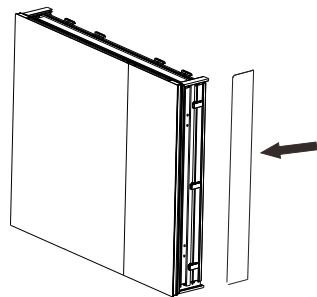


Fig.5

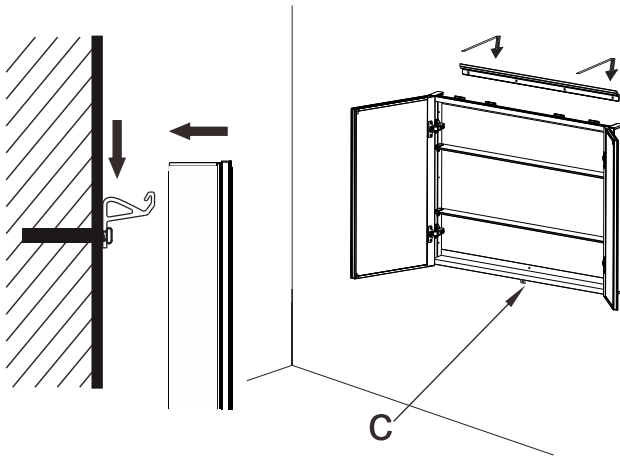


Fig.6

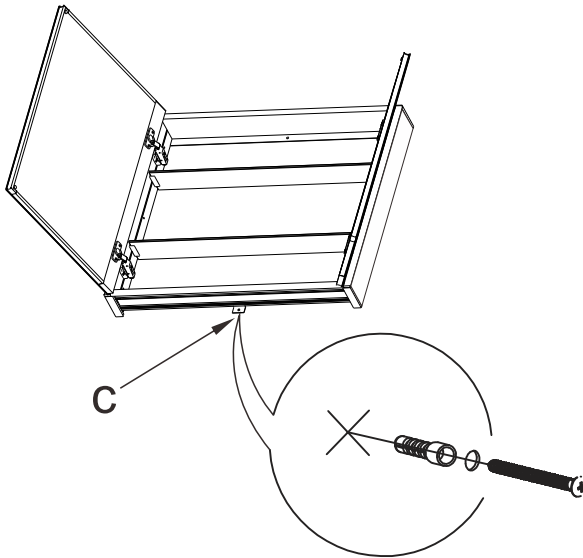


Fig.7

Installation method of Recessed Mount

1. Positioning and Installation of Mirror Cabinet:

- 1.1 remove top and bottom block, and then remove the left and right side panel, see (Fig.8).
- 1.2 Remove the L-Mounting Clip from the bottom of the cabinet (Fig.9)
- 1.3 Lock the nut back to the screws (Fig.10).
- 1.4 Remove the screw by 3mm, then take out the fixing block and screw it back to secure the cabinet (Fig.11).
- 1.5 Remove the fix block, see (Fig.12).
- 1.6 Remove the hook, see (Fig.13).
- 1.7 Measuring the wall size of the cabinet (Fig.14)
- 1.8 Open the screw hole in the wall (Fig.15)
- 1.9 Install the mirror cabinet on the wall of expected recessed mounted mirror cabinet (Fig.16), and use pencil to make sign on the wall through mirror cabinet framework (a) (Fig.17).
- 2.0 Remove the mirror cabinet, drill the fixing hole in the wall in the marked position, and place the expansion plugs (Fig.18).
- 2.1 Finally. Repeat the operation as shown in Fig.16 and mount the mirror cabinet to the recessed mounted.

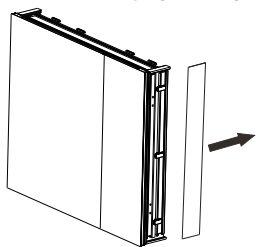


Fig.8

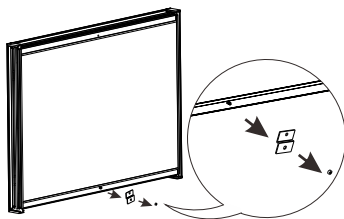


Fig.9

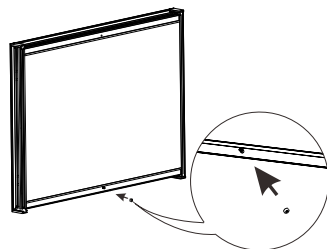


Fig.10

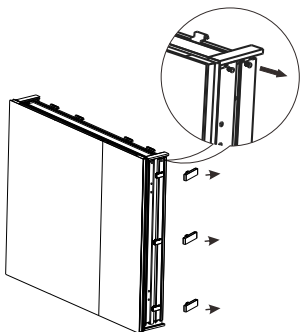


Fig.11

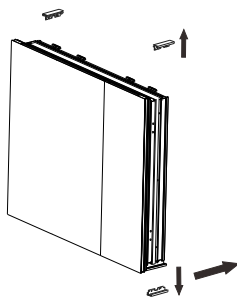


Fig.12

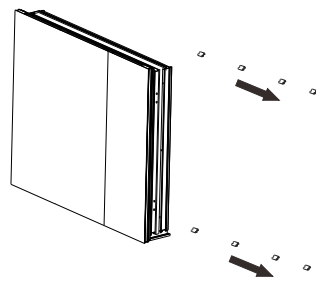
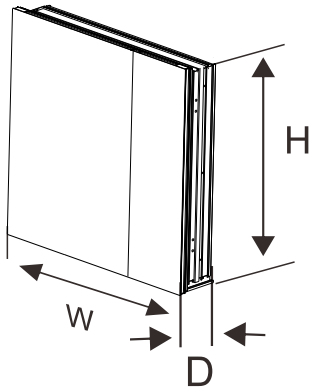
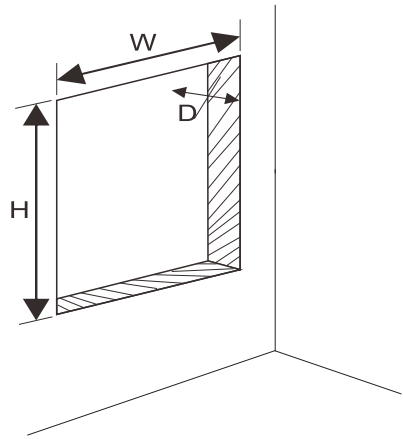


Fig.13



Model	W x H x D(in)
MNO2630MCBN	30"x26"x4.27"

Fig.14



Model	W x H x D(in)
MNO2630MCBN	29"x25"x3.74"

Fig.15

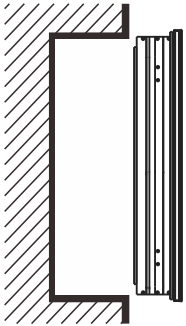


Fig.16

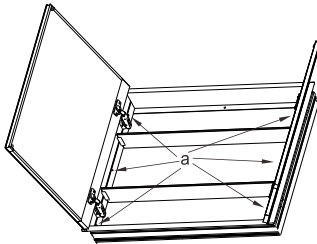


Fig.17

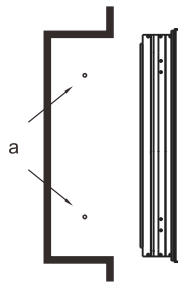


Fig.18

Mirror Door Adjustment

1.1 Fix the mirror cabinet, and check if the mirror door is flat; if not (as shown in Fig.19), adjust the distance of the door opening by adjusting the hinge screw (b) and keep the door level (Fig.20).

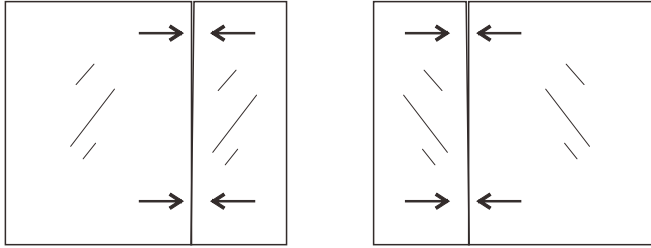
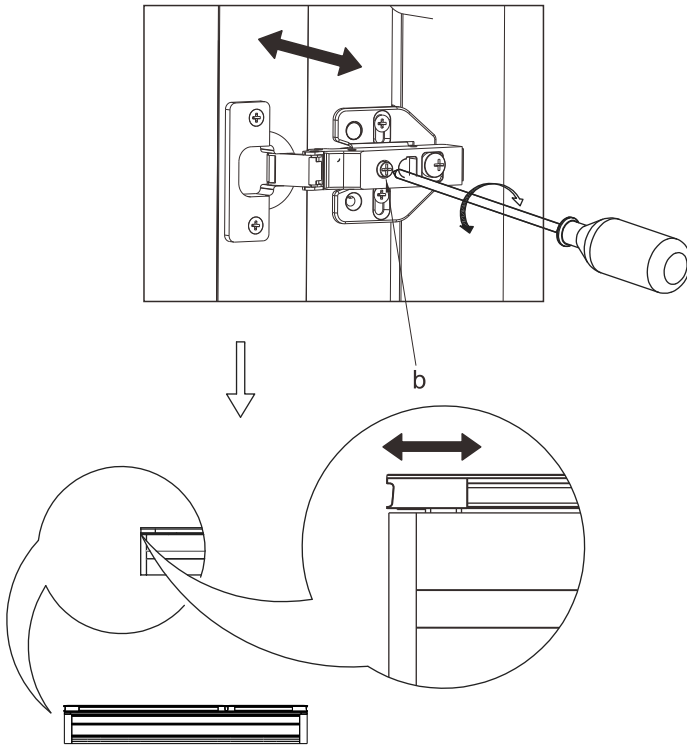


Fig.19



Rotate CW: Door moves to the center of the mirror cabinet
Rotate CCW: Door moves to both sides of the mirror cabinet

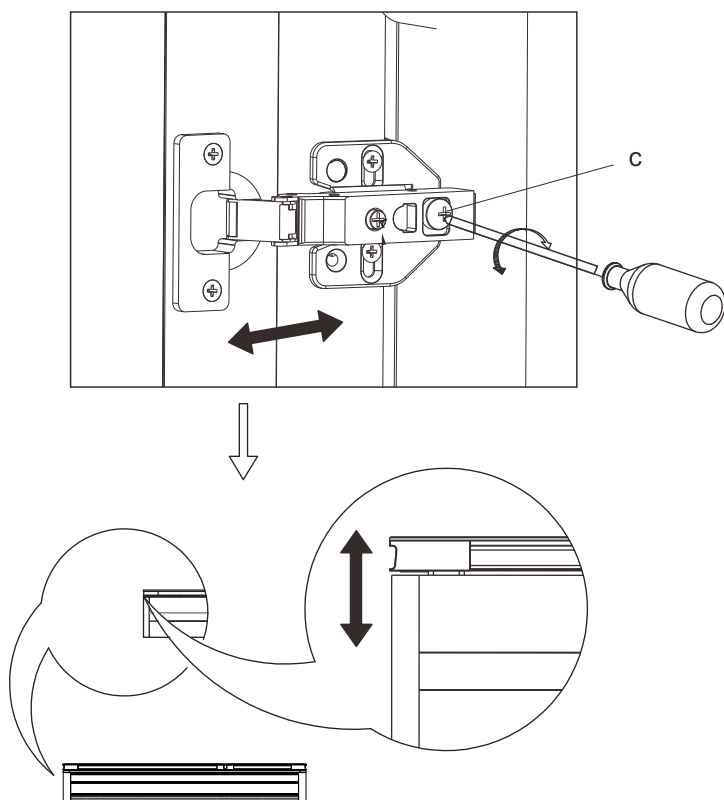
Fig.20

1. 2 If the cabinet door isn't flat (Fig.21), adjust the distance between the door and the cabinet by adjusting the screw (c) to make the door flat. (Fig.22)

⚠ Warning: The distance between the door and the cabinet should not be too small, otherwise the door can't be opened and may lead to the door rupture.



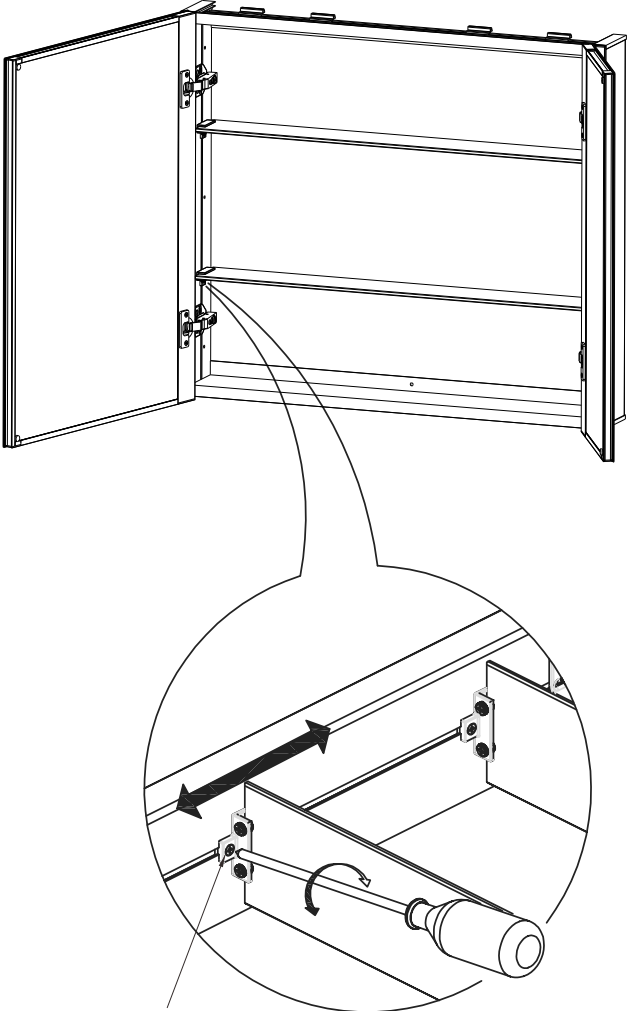
Fig.21



Rotate CW: Distance between door and cabinet reduces
Rotate CCW: Distance between door and cabinet increases

Fig.22

1. 3 Loosen the snap screw (d) of the shelf to adjust the shelf position.
(Fig.23)



Safety Warning

Fig.23

- Do not disassemble the door unless necessary

MISENO

Care and Cleaning

Clean the mirror with a soft, damp cloth and dry thoroughly with a soft towel. Do NOT allow the edges of the mirror to get or remain wet over a period of time. Please do NOT use glass cleaner that contains ammonia or vinegar. Never spray any cleaner directly onto a mirror.

Instead apply the cleaner to a soft cloth and then wipe the mirror. Make sure no commercial cleaner comes in contact with the edge or backing.

Warranty

DEFECTIVE GOODS CONSUMER WARRANTY

MISENO inspects all of its products prior to shipment. We offer a 1-year Limited warranty on our mirror products. Defective products should be returned to place of purchase for replacement. However, if this is not possible, we accept returns on defective product with our written authorization. Returns will be handled by product replacement. Defects or damage caused to product by the consumer are not accepted.