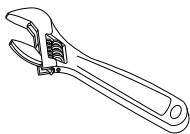
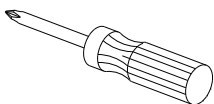


MNO301CP/BNP

Tools You Will Need



Adjustable wrench



Phillips screwdriver



Pipe tape

SAFETY TIPS

- Cover your drain to avoid losing parts.
- The fittings should be installed by a licensed plumber of the State.
- When installing flexible hose, do not fold into a V or L shape. There should be no torsion or deformation. Do not install if there is a crack or deformation.

Questions, problems, missing parts?

Before returning to your retailer, please contact Customer Service at 1-855-480-2915 or infoservice@miseno.com

BEFORE INSTALLATION:

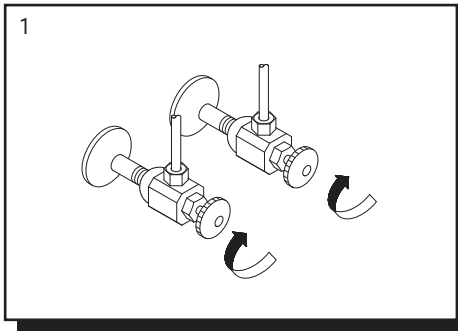
If you contact Customer Service, you will need the proof of purchase, model number, serial number, and date of purchase. Please locate the Product ID tag and serial number tag.

Please record the serial number and date of purchase here BEFORE YOU INSTALL:

Serial Number _____

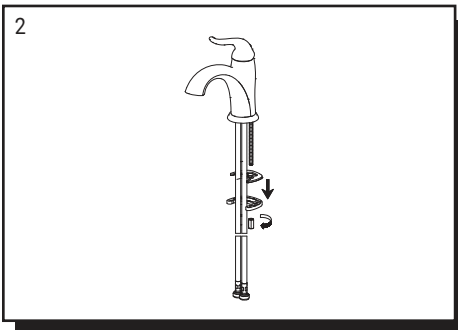
Date of Purchase _____

Please attach your receipt for proof of purchase.



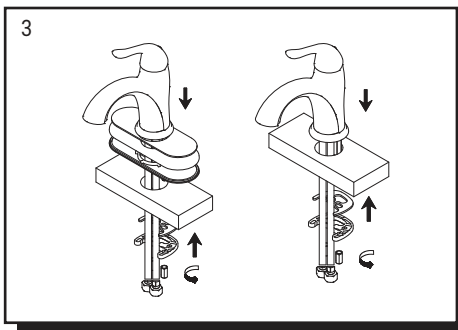
Step 1.

Shut off water supplies and unscrew supply lines. Remove old faucet and then clean the area around the old faucet in preparation for the new faucet installation.



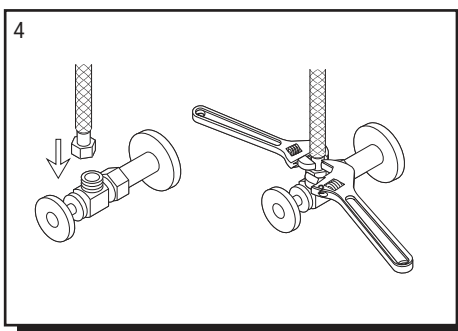
Step 2.

Remove the faucet mount from the faucet body by unscrewing locknuts and check faucet for general operation. Open and close the handle and make sure the valve moves freely without binding. Also check for defects in the finish and inspect the supply lines for kinks or damage. Check threaded rods for tightness and tighten if necessary using a screwdriver.



Step 3.

If using the escutcheon, first place it on the faucet body. Insert supply lines through hole in counter and place faucet in position. Slide rubber bumper and metal mount onto threaded rod and attach locknuts. Tighten locknuts until faucet is snug, reposition faucet until it's in the desired position and tighten locknuts down fully.



Step 4.

Thread supply lines onto stop valves. Tighten supply lines by holding the hose with one wrench and tightening the nut with the other to prevent twisting or kinking.

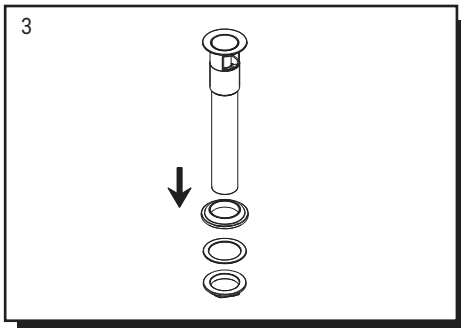
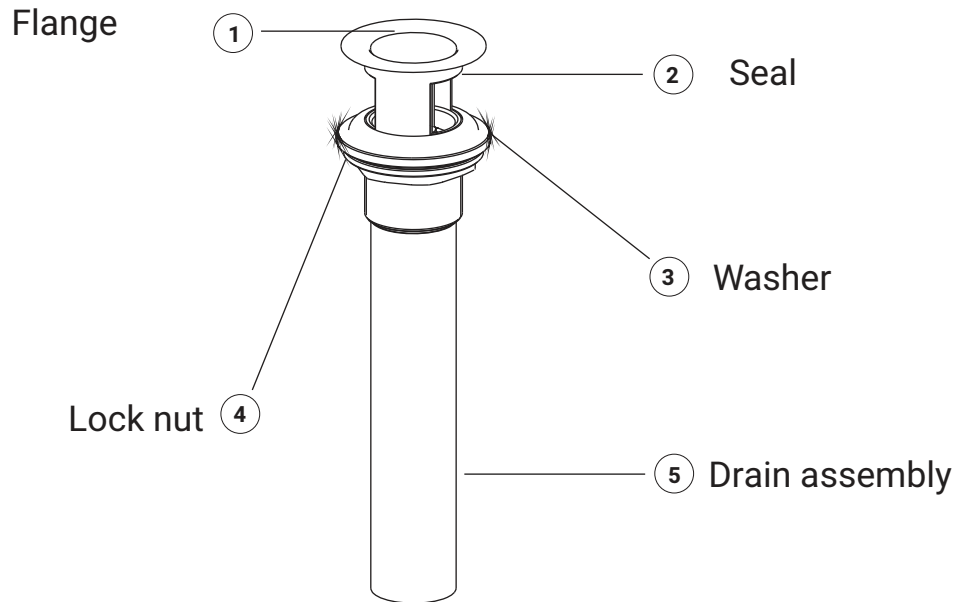


Step 5.

Once faucet is installed, turn on stop valves fully then back off 1/4 turn. Remove faucet aerator with provided aerator tool. Turn on faucet to remove any debris and air that may be in the lines. Move the faucet handle through both hot and cold positions to clear both lines.

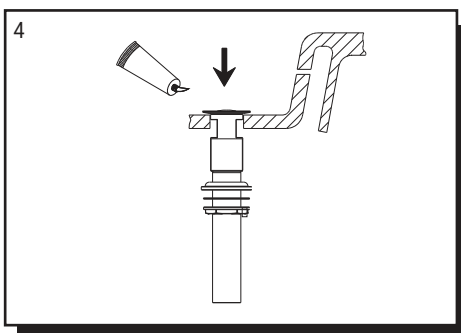
Re-assemble aerator.

Drain Installation



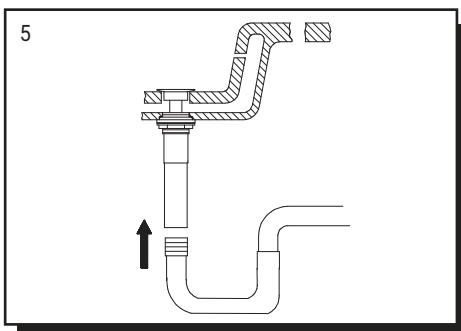
Step 1.

Remove locknut, washer and rubber seal from the drain body. Check tailpiece for tightness where it threads into main drain assembly and tighten if necessary.



Step 2.

Apply a bead of silicone around the drain hole in sink and insert drain. Make sure overflow cutout in drain faces overflow channel in sink. Place rubber seal, washer and locknut onto drain assembly and tighten fully. Do not overtighten as sink damage can occur.



Step 3.

Connect tailpiece to P-trap (not included) and tighten. Allow silicone to cure fully before use. Once silicone is cured, close drain and fill sink with water. Allow water to sit for 10 minutes and check for leaks around rubber seal. Drain sink and check for leaks in P-trap and waste drain.

Troubleshooting

If you've followed the instructions carefully and your faucet still does not work properly, take these corrective steps.

Problem	Cause	Action
Leaks underneath handle.	Locking nut has come loose. O-ring on cartridge is dirty or damaged.	Tighten the locking nut. Clean or replace O-ring.
Aerator leaks or has an inconsistent water flow pattern.	Aerator is dirty or misfitted.	Unscrew the aerator to check rubber packing of the aerator.

WARNING!

This product is engineered to meet the EPA WaterSense flow requirement. The flow rate is governed by the aerator or flow controller. If replacement is ever required, be sure to replace it with a WaterSense compliant aerator or flow controller to retain the water conserving flow rate of this product.

Maintenance Your new faucet is designed for years of trouble-free performance. Keep it looking new by cleaning it periodically with a soft cloth. Avoid abrasive cleaners, steel wool, and harsh chemicals as these will dull the finish and **void your warranty**.

Replacement Parts

