

# MISENO

## Forever Collection

### 1/4" FRAMELESS SLIDING DOOR FOR TUB OR SHOWER

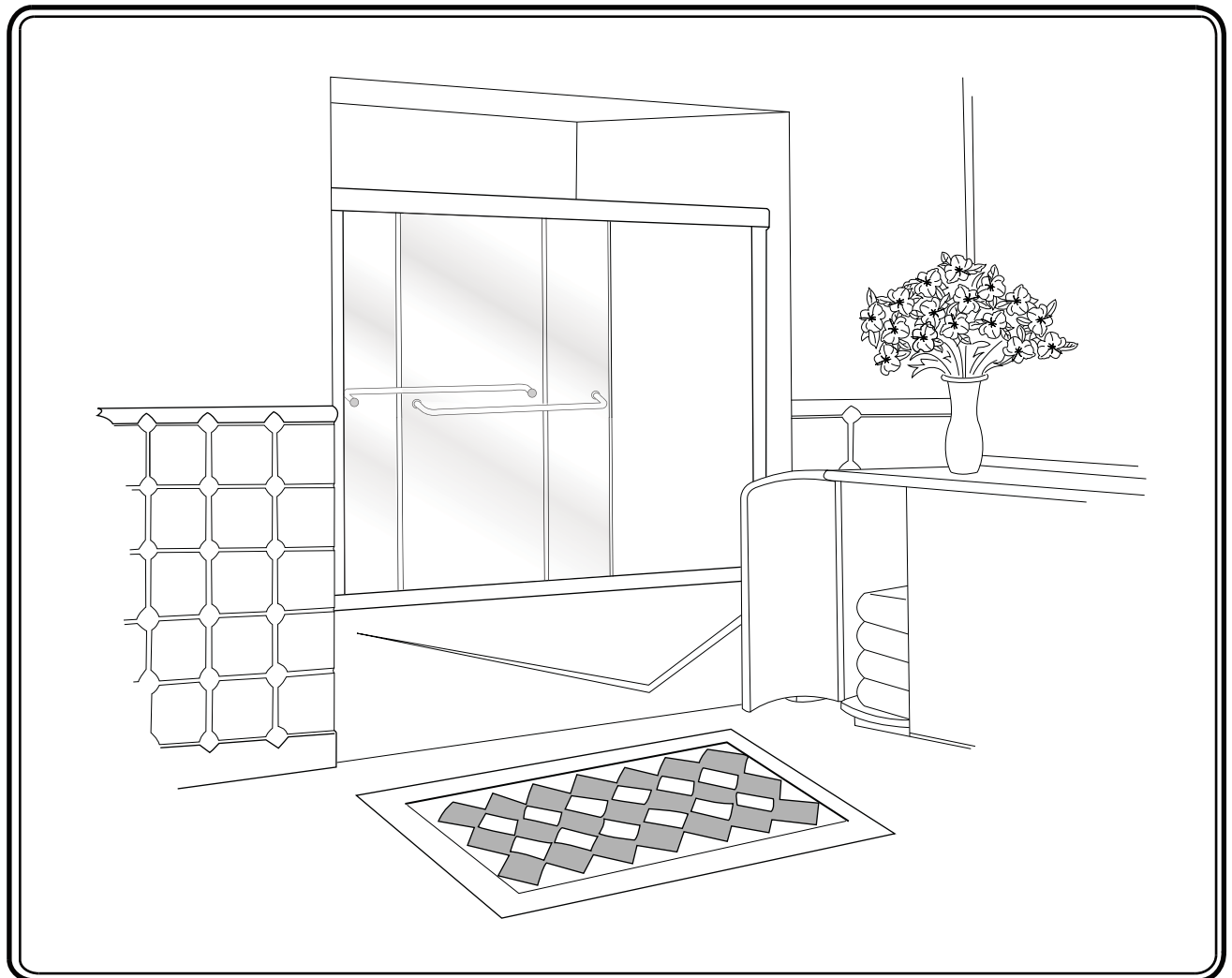
**Models:**

MSDFVR5412581257 / MSDFVR5412581256

MSDFVR43476512 / MSDFVR5412581270

MSDFVR48526512

### INSTALLATION INSTRUCTIONS



**MAINTENANCE:** Two primary materials are used to manufacture your new shower enclosure: tempered glass and anodized aluminum. To assure a long-lasting finish on the enclosure, wipe it down with a towel after each use. Never use a scouring agent to clean the aluminum.

For occasional, more concentrated cleaning efforts, we find that Lysol Bathroom Cleaner works extremely well. Be sure that any overspray falling on the aluminum frame is rinsed thoroughly and dried. Many over-the-counter cleaners, if applied to the aluminum and left applied, will harm the metal finish and cause permanent damage, even though their directions indicate they are safe to use on shower doors.

**INSTALLATION NOTES:** Unpack your unit carefully and inspect for freight damage. Layout and identify all parts using the instruction sheet as reference. Before discarding the carton, check to see that no small hardware parts have fallen to the bottom of the box. If any parts are damaged or missing, refer to the descriptions noted in the instructions when contacting your dealer for replacements.

Handle the glass panels carefully and protect the edges. Safety tempered glass is very resistant to breakage, but the sharp corners of the panels can damage tile and floor surfaces.

Please wear safety glasses whenever drilling or cutting. When drilling holes in the ceramic tile or marble, use a center punch and hammer to carefully break the surface glaze so the drill can start without skidding.

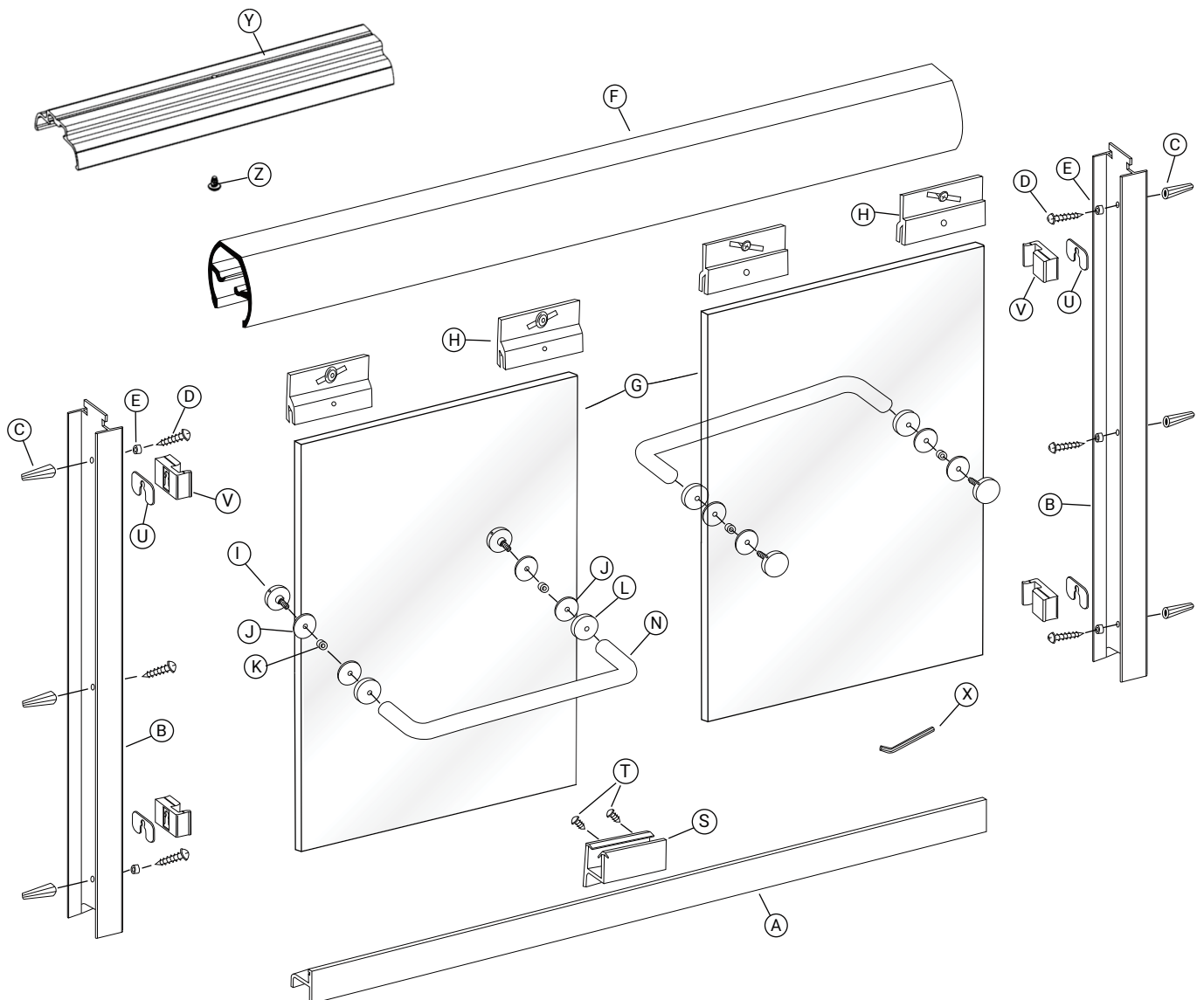
To install your new shower door, you will need the following: tape measure, level, #2 Phillips screwdriver, 3/16" wrench, drill, 7/64", 1/8" and 1/4" drill bits, hacksaw, pencil, and caulking (clear silicone recommended). Optional tools include a miter box for cutting parts to length, files, center punch, and masking tape.

**NOTE: Tempered glass cannot be cut.**

**Although safety tempered glass is very resistant to breakage, the glass can still break if unequal pressure is placed on it during installation. Use caution. In addition, the sharp corners of the panels can damage tile and floor surfaces, so it is best to handle the glass panels carefully and protect the edges.**

## PARTS LIST

- |    |   |                                 |    |   |  |
|----|---|---------------------------------|----|---|--|
| A. | 1 | Tub Track with Vinyl            | K. | 4 | Glass Hole Sleeves                     |
| B. | 2 | Wall Jamb                       | L. | 4 | Front Plates                           |
| C. | 6 | #8 x 2" Truss Head Screws       | N. | 2 | Towel Bar                              |
| D. | 6 | Plastic Wall Anchors            | S. | 1 | Nylon Bottom Guide                     |
| E. | 4 | Nylon Spacers                   | T. | 2 | #6 x 3/8" Pan Head Screw               |
| F. | 1 | Header                          | U. | 4 | Stainless Bumper Inserts               |
| G. | 2 | Glass Panels                    | V. | 4 | Vinyl Jump Bumpers                     |
| H. | 4 | Hanger Brackets (Pre-assembled) | X. | 1 | Allen Wrench                           |
| I. | 4 | Back Plates                     | Y. | 3 | Anti-Jump Inserts (1 Shown) SCR4340-45 |
| J. | 8 | Clear Plastic Discs             | Z. | 3 | Anti-Jump Screws (1 Shown) SCR11       |



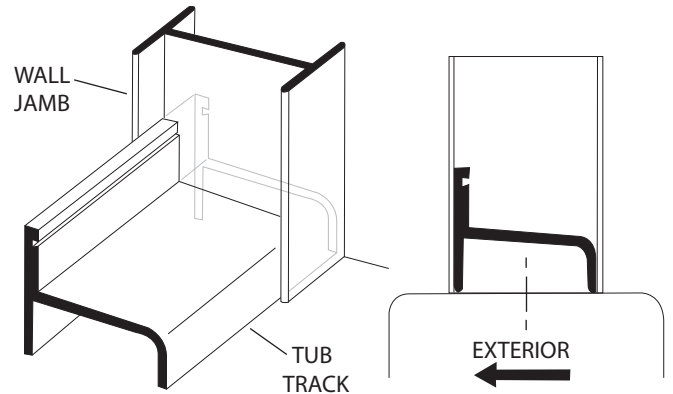
**\*\*If installing on a fiberglass unit you may need to snip outside corner to match corners on wall jamba and tub tracks to match radius on fiberglass unit\*\***

## Step 1

Measure the wall-to-wall opening at the center of the tub rim. Cut the tub track **[A]** 1/16" short of this dimension. An inexpensive miter box available at your local hardware store will help you get clean square cuts.

Position the tub track in the center of the tub rim with the tall leg to the exterior. It may be necessary to file a radius on the ends of the tub track and wall jambs to match the corners of the tub.

Press both wall jambs **[B]** into position over the tub track. Masking tape can be used to hold the parts in place temporarily.



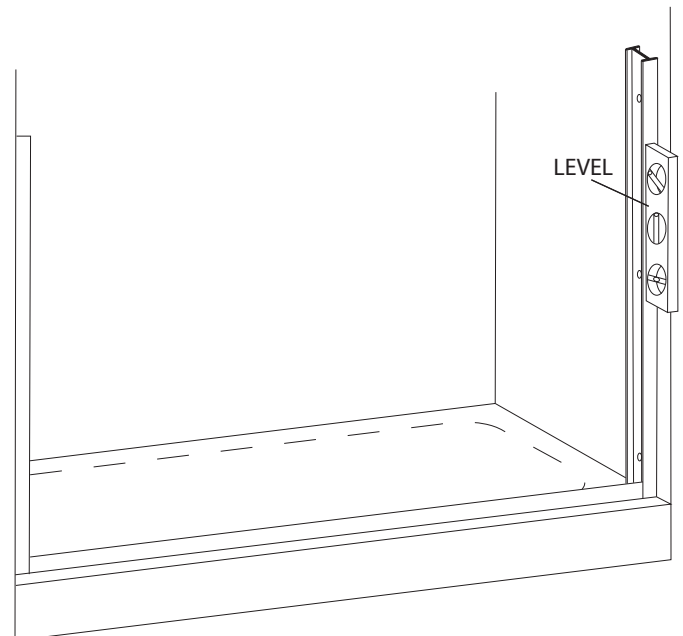
## Step 2

Use a level to plumb both wall jambs **[B]**, then mark the pre-drilled hole locations on the wall. Lightly mark along both sides of the tub track **[A]** with a pencil, then remove all parts.

For tile or marble walls, drill six 1/4" diameter holes and insert the plastic wall anchors **[C]**. A center punch helps locate the holes accurately.

Attachments to fiberglass or acrylic units can be made in two ways. If a reinforcement is built into the wall of the unit, drill six 1/8" diameter holes and install the screws directly into the reinforcement. If the walls are not reinforced, drill 1/4" holes and install plastic wall anchors or molly bolts (molly bolts not supplied).

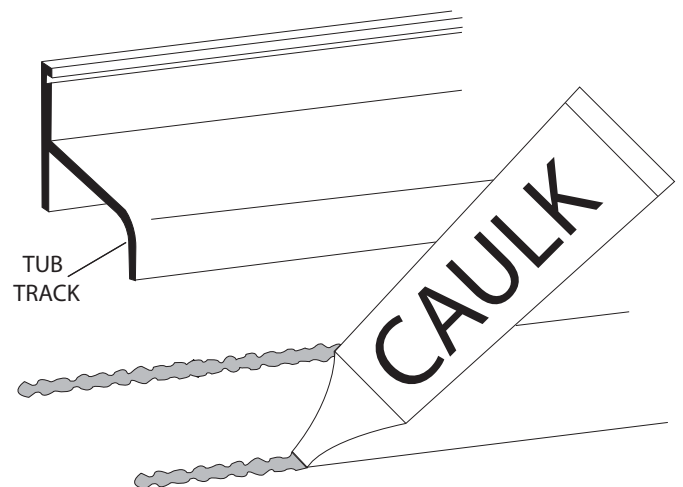
**CAUTION: The track should never be screwed to the tub. This will damage the tub and cause leakage.**



## Step 3

Before replacing the tub track **[A]**, force a slight downward bow in the extrusion. This will ensure the track fits tight to the tub. Run two beads of caulk inside the penciled marks on the tub rim. Place the tub track in the exact position marked in **Step #2** and seat it firmly in the caulking.

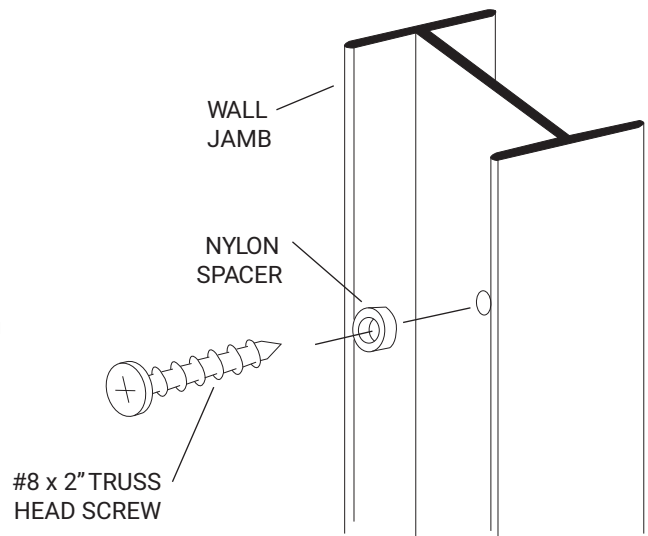
**NOTE: Improper caulking will result in leaks.**



## Step 4

Replace one wall jamb [B] and attach to the wall with a #8 x 2" truss head screw [D] inserted through the center hole. Slip a nylon spacer [E] over a #8 x 2" truss head screw and install in the top hole of the wall jamb. Repeat for the bottom jamb. Check jamb for plumb and tighten screws.

**NOTE: Do not overtighten the jamb screws.**



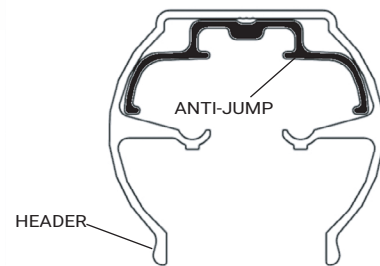
## Step 5

**NOTE: Header shown cut away for clarity.**



If not already present, slide the anti-jump inserts into the center of the header.

Measure the wall-to-wall opening at the top of the wall jambs [B] and cut the header [F] 1/16" short of this dimension. Check the header for fit.

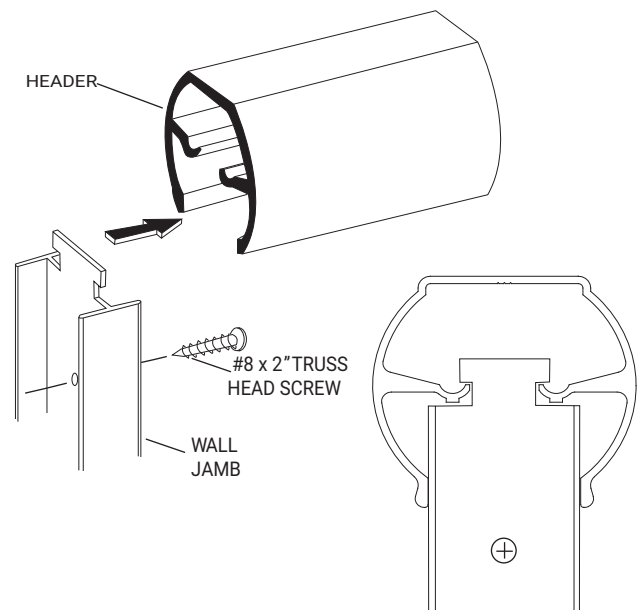


## Step 6

This bath enclosure is equipped with safety tee-lock wall jambs. When installed properly, the header is permanently locked to the wall jambs and cannot be accidentally dislodged.

Slide the safety tee-lock of the unmounted wall jamb into the header.

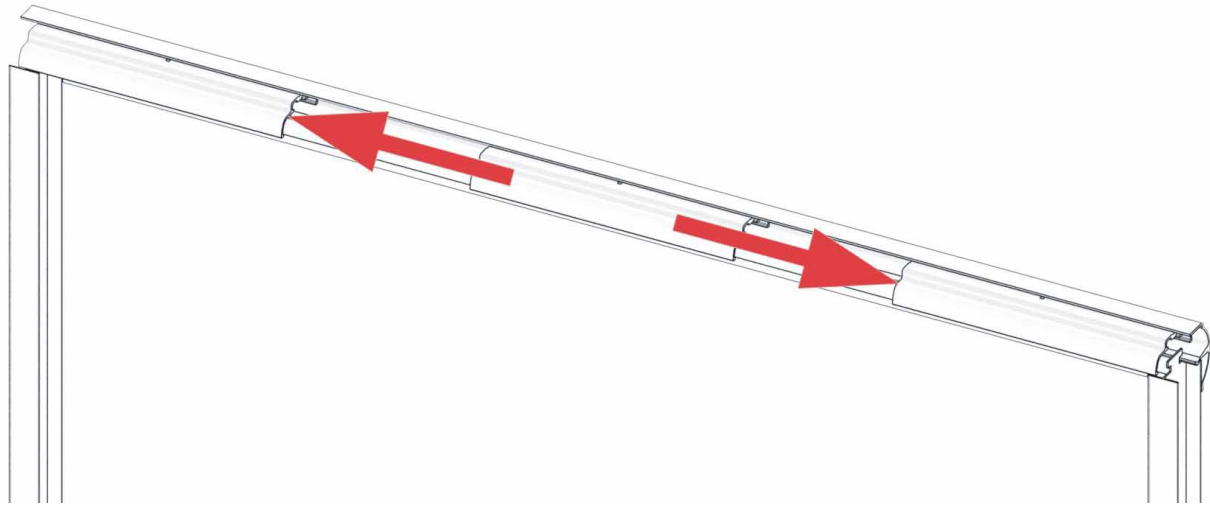
Holding the header at an angle, engage the end onto the mounted wall jamb. Pivot the header into place, then slide the loose wall jamb to the wall and press into position on the tub track. Attach to the wall per instructions in **Step 4**.



## Step 7

Slide anti-jump stops into position:

- 1) at left wall jamb
- 2) at right wall jamb
- 3) centered in opening

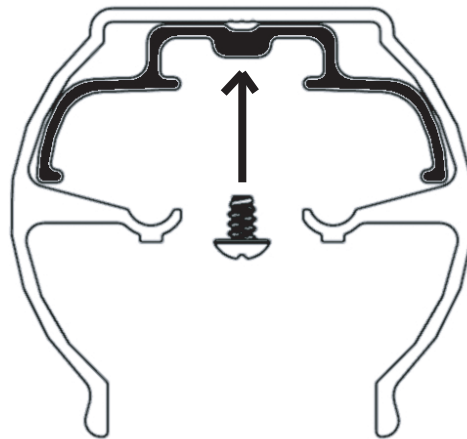


Insert **SCR11** screw into the pre-drilled hole of each insert. The screws will just press against the header. **DO NOT** use power tools to insert these screws. **DO NOT** drill the header for these holes.

## PRO TIP!

If the rollers contact the anti-jump during normal operation, back the screw out of the insert 1/4 of a turn at a time until less contact is made.

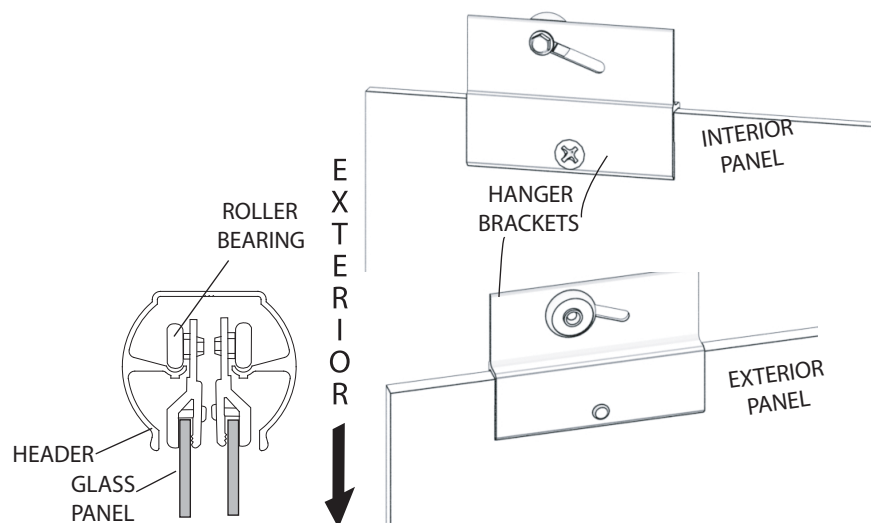
If the rollers are able to jump from the track slowly tighten the screw 1/4 of a turn until the roller is unable to jump from the track.



## Step 8

Textured glass lites **[G]** should be installed with the textured surface to the exterior of the unit. Clear glass does not have a preferred side to face out, unless glass has been treated with ClearShield, then that side will face inward.

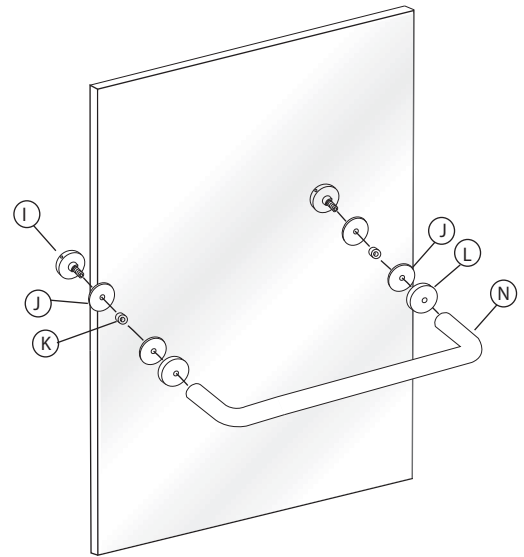
If not installed from the factory, install the hanger brackets onto the glass. On the outside panel, the roller is installed to the outside. On the inside panel, the roller is installed to the inside.



## Step 9

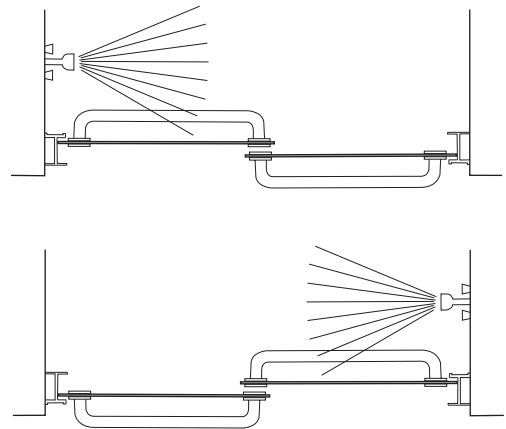
Slide one of the clear plastic discs [J], then a glass hole sleeve [K] onto the back plate [I]. Push the assembly through the hole in the glass panel, so that the glass hole sleeve is flush with the other side of the panel. Slide the other clear plastic disc onto the protruding end of the back plate, and then slide on the front plate [L]. Repeat this for the second hole on the panel. While holding the towel bar [N] in place, and screw the back plates into the towel bar.

**NOTE: Outer panel has towel bar facing out. Inner panel has towel bar facing in. Failure to install handles properly will inhibit door operation.**



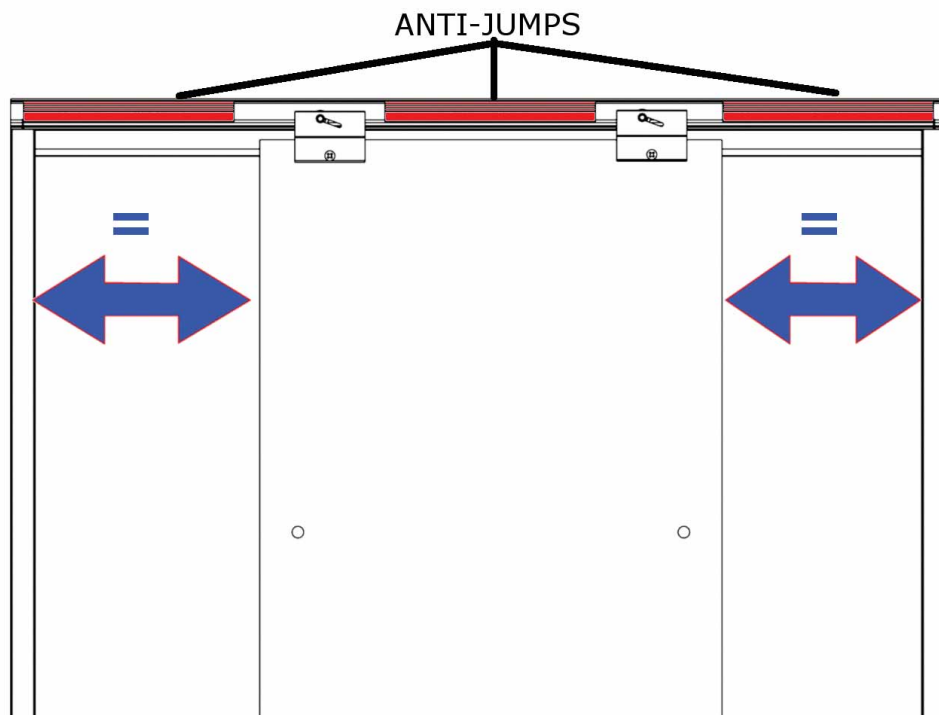
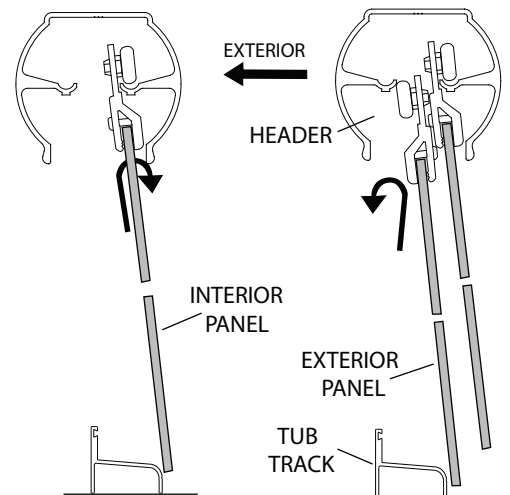
## Step 10

Before installing the door panels, the proper orientation should be determined. For maximum waterproofing, the interior panel should always be positioned closest to the shower head, as shown in the illustration.



## Step 11

Lift the interior glass panel into position with the rollers engaging the groove in the header **[F]**. Repeat for the exterior panel. If panels are not parallel to the respective wall jambs, and adjust the rollers up or down in their slots are compensate.

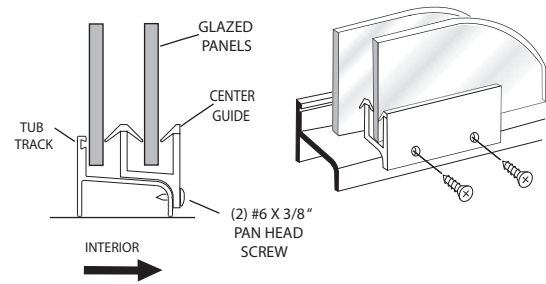


**Please Note: Panels will need to be very close to the center of the opening in order to be installed. If there is ever reason to remove the panel, the panel will again need to be centered in the opening.**



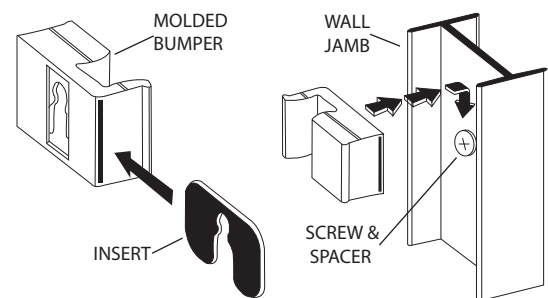
## Step 12

Locate the nylon bottom guide [S] in the middle of the tub track [A] with the glass panels in the position shown. With the 7/64" bit, drill two holes into the V-groove through the mounting holes in the guide. Install the bottom guide with two #6 x 3/8" pan head screws [T] through the drilled holes as shown.



## Step 13

Slide the stainless steel bumper inserts [U] into the four soft vinyl jamb bumpers [V]. Align the slots in the bumpers with the glass panels and snap the bumpers downward over the top and bottom wall jamb screws [D] with the spacers [E].



## Step 14

Neatly caulk each end of the tub track [A] where it meets the wall jambs [B] and the interior edge of the wall jambs as shown. Run a bead of caulking the interior edge of the tub track.

**NOTE: The caulking should be allowed to cure for twenty-four (24) hours before using your new bath enclosure.**

