

START WITH THIS INSTALLATION MANUAL

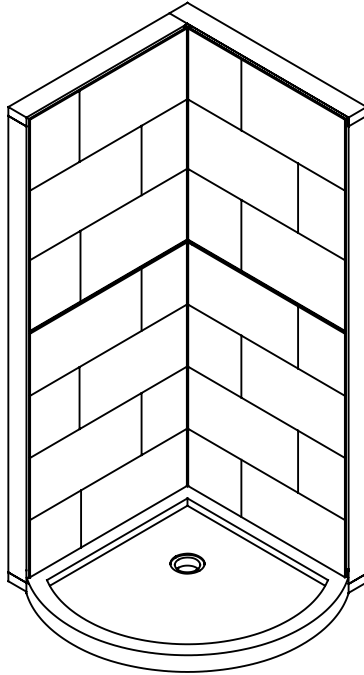
STEP 1: INSTALL YOUR SHOWER BASE (USING THIS MANUAL).

STEP 2: INSTALL YOUR SHOWER WALL BASED ON OPTION (A) OR OPTION (B).

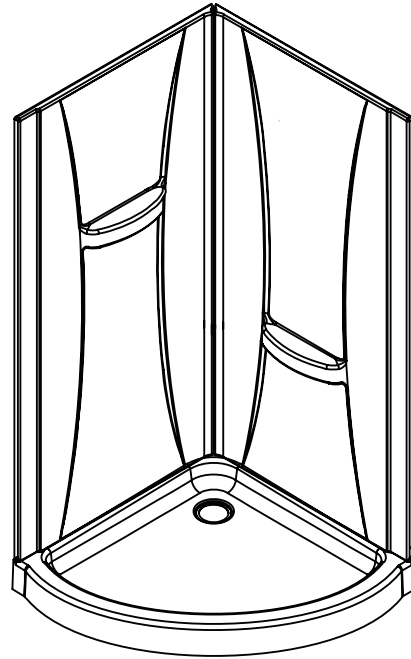
OPTION (A): INSTALLATION WITH TILES OR COMPOSITE WALL PANELS (NOT SUPPLIED)

OPTION (B): INSTALLATION WITH OVE ACRYLIC PANELS (IF PURCHASED AS A KIT)

A



B



STEP 3: INSTALL YOUR SHOWER DOOR.

An installation video (V06) guide can be found on our Youtube channel:



<https://tinyurl.com/y95nqcmv>



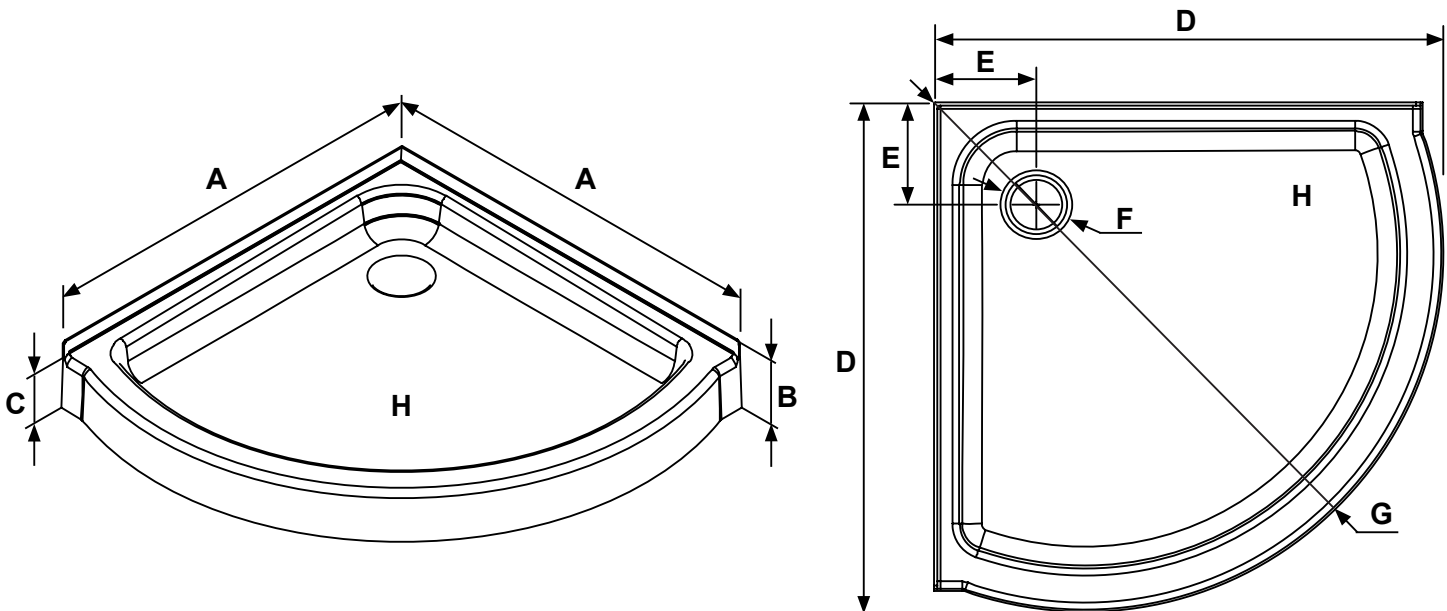
Questions, problems, need help?
 Call our customer service department at
 1-866-839-2888, 9 a.m. - 5 p.m., EST, Monday - Friday

TABLE OF CONTENTS

SHOWER BASE DIMENSIONS	3
SHOWER WALL DIMENSIONS	4
OVERALL SHOWER DIMENSIONS	5
PACKAGE CONTENTS (SHOWER DOOR)	6
PARTS LIST (SHOWER DOOR)	8
PARTS LIST (SHOWER BASE)	11
PARTS LIST (SHOWER WALL)	12
SAFETY INFORMATION	13
BEFORE INSTALLATION	14
BASE INSTALLATION (OPTION A)	15
BASE INSTALLATION (OPTION B)	25
ACRYLIC WALL PANELS INSTALLATION	32
SHOWER DOOR INSTALLATION	35
MAINTENANCE AND CARE, WARRANTY	47

SHOWER BASE DIMENSIONS

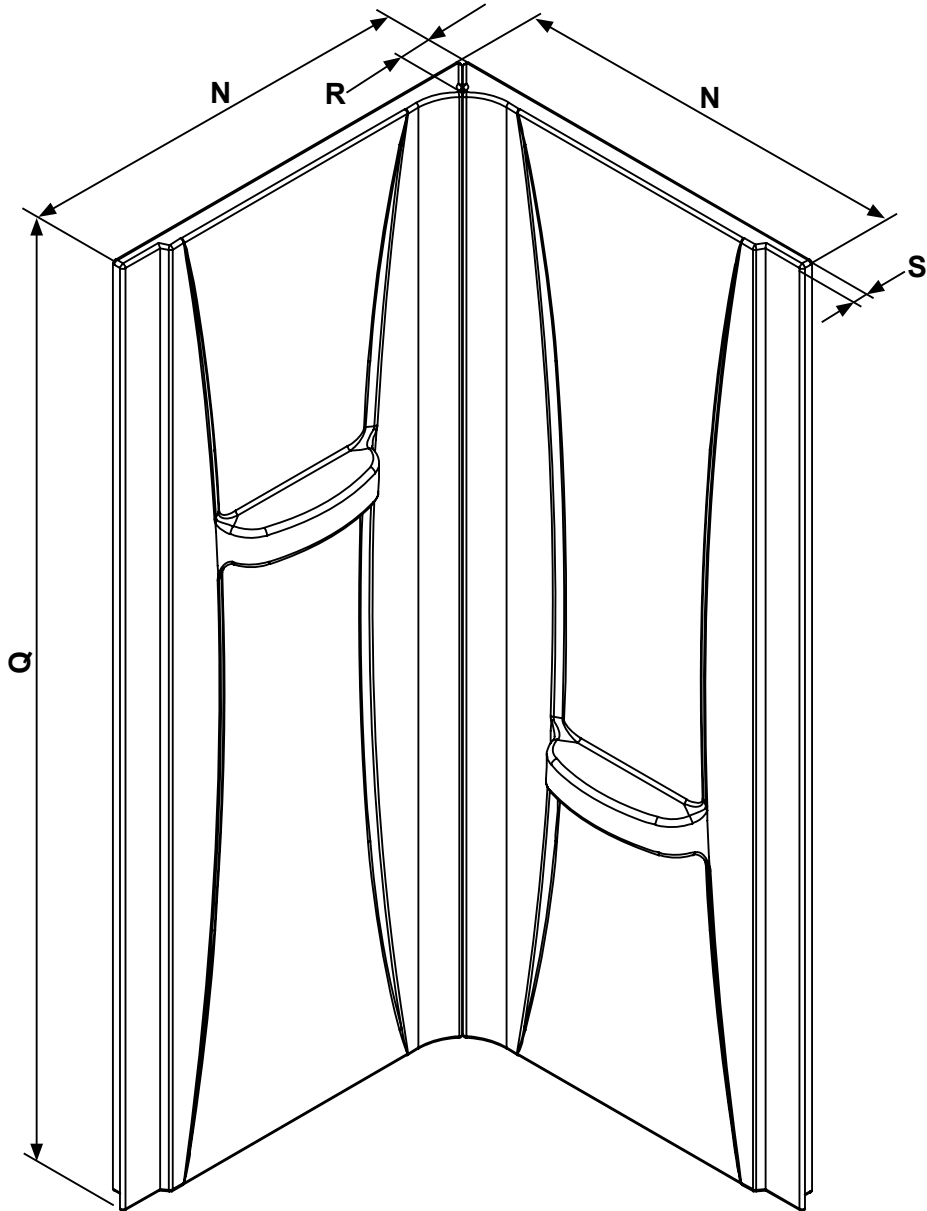
	Measurements	32"	34"	36"	38"
A	Flange width	31 7/8" 810mm	33 7/8" 860mm	35 15/16" 913mm	37 13/16" 960mm
B	Shower base height (With flange)	5 1/8" 130mm	5 1/8" 130mm	5 1/8" 130mm	5 1/8" 130mm
C	Threshold height (Without flange)	4 1/8" 105mm	4 1/8" 105mm	4 1/8" 105mm	4 1/8" 105mm
D	Overall shower base width	32 11/16" 830mm	34 15/16" 887mm	40 1/16" 1018mm	44 5/16" 1125mm
E	Drain distance from corner	7 7/16" 189mm	7 1/4" 184mm	12 3/8" 314mm	11 5/8" 296mm
F	Drain opening diameter	3 3/8" 85mm	3 3/8" 85mm	3 3/8" 85mm	3 3/8" 85mm
G	Base edge length (maximum)	36 1/8" 918mm	39 1/4" 996mm	46 7/8" 1187mm	51 7/8" 1318mm
H	Finished surface area	911 in ² 0.588 m ²	1051 in ² 0.678 m ²	1407 in ² 0.908 m ²	1708 in ² 1.102m ²



Measures: INCH (mm)

SHOWER WALL DIMENSIONS (IF PURCHASED AS A KIT)

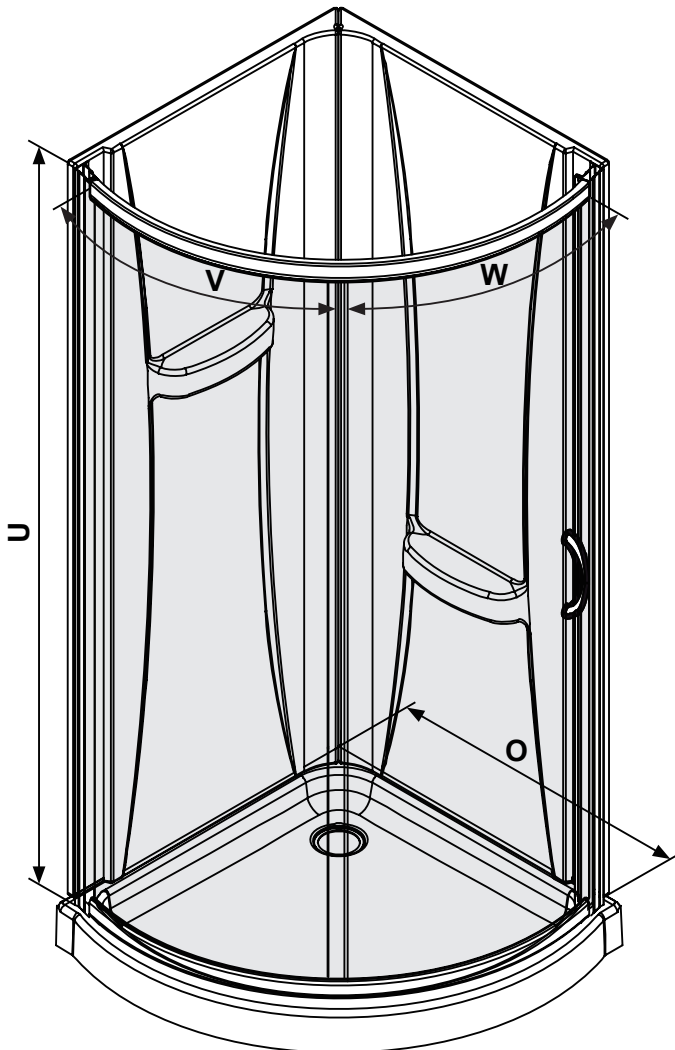
	Measurements	32"	34"	36"	38"
N	Wall width	30 3/4" 781mm	32 7/8" 835mm	34 13/16" 884mm	36 13/16" 935mm
Q	Wall height	73 1/4" 1860mm	73 1/4" 1860mm	73 1/4" 1860mm	73 1/4" 1860mm
R	Overall wall thickness	2 13/16" 71mm	2 13/16" 71mm	2 13/16" 71mm	2 13/16" 71mm
S	Wall thickness	15/16" 23mm	15/16" 23mm	15/16" 23mm	15/16" 23mm



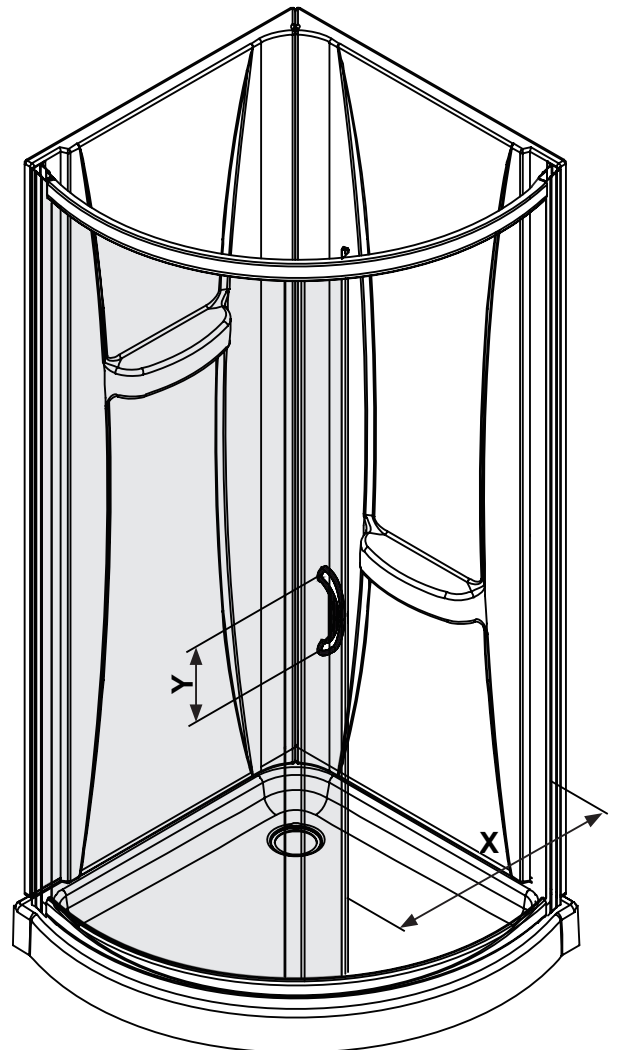
Measures: INCH (mm)

OVERALL SHOWER DIMENSIONS

	Measurements	32"	34"	36"	38"
O	Shower width (wall track to wall track)	29 13/16" 758mm	31 1/4" 793mm	33 7/16" 850mm	35 7/8" 911mm
U	Shower height	72 13/16" 1850mm	72 13/16" 1850mm	72 13/16" 1850mm	72 13/16" 1850mm
V	Fixed panel width	22 3/4" R23" 578 R584mm	25 1/16" R23" 637 R584mm	30 15/16" R23" 786 R584mm	39 3/16" R24 1/2" 995 R622mm
W	Door panel width	23 15/16" R22 1/16" 608 R560mm	26 3/16" R22 1/16" 665 R560mm	32 1/4" R22 1/16" 819 R560mm	32 5/8" R23 9/16" 829 R598mm
X	Door opening	19 15/16" 506mm	21 13/16" 554mm	25 11/16" 652mm	26 1/8" 664mm
Y	Distance between handle holes	5 11/16" 145mm	5 11/16" 145mm	5 11/16" 145mm	5 11/16" 145mm



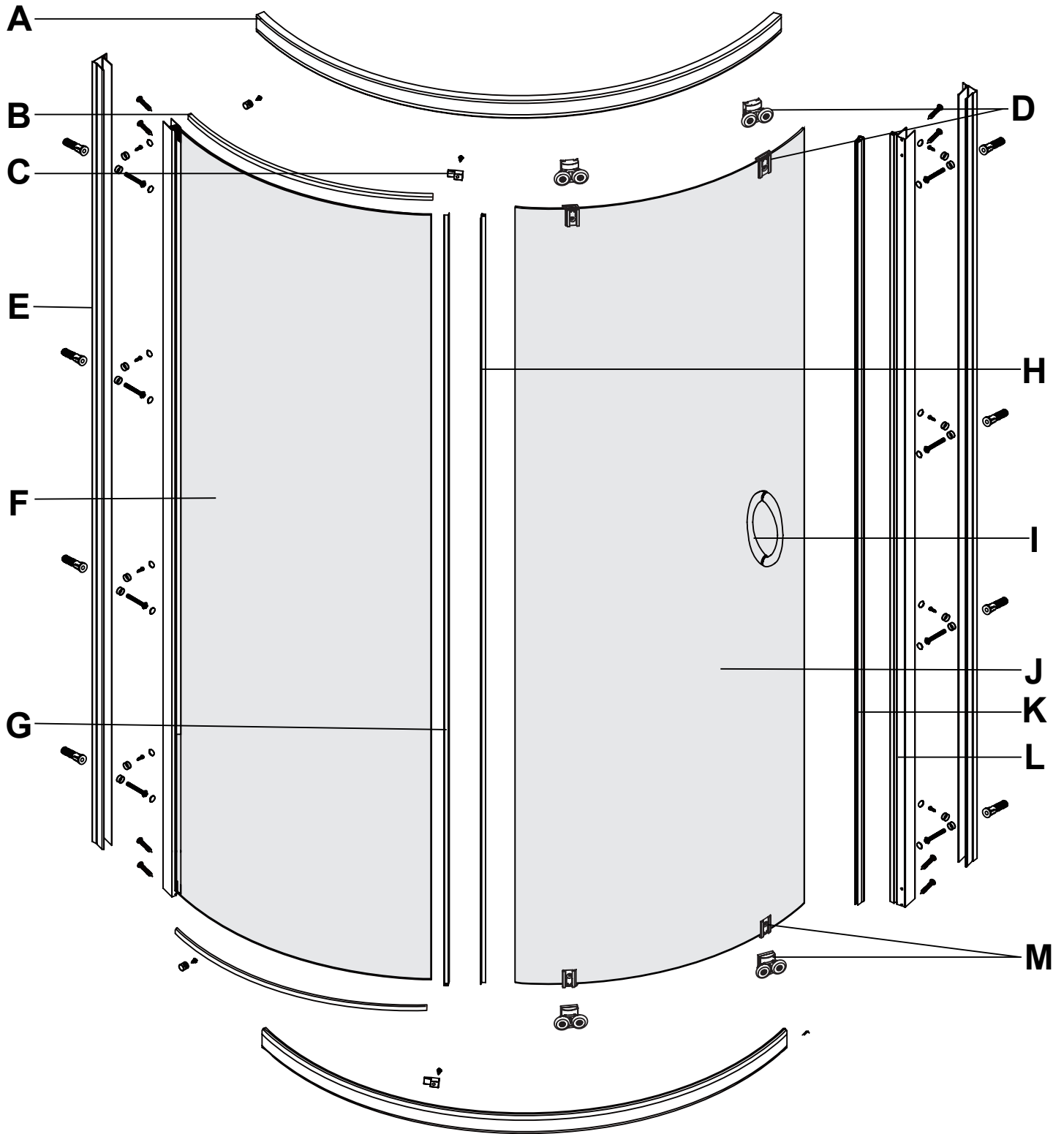
OVERALL SHOWER DIMENSION



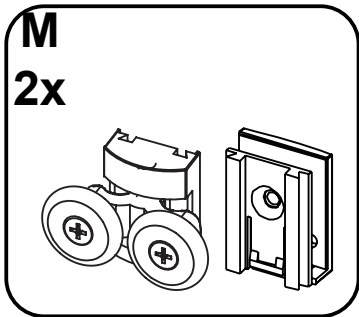
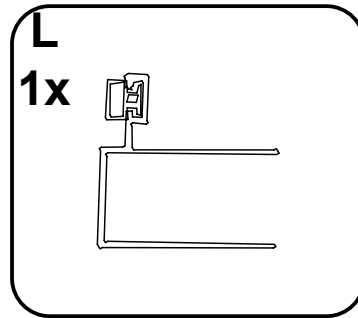
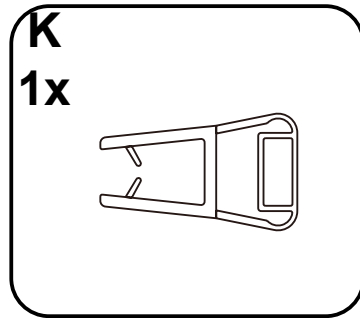
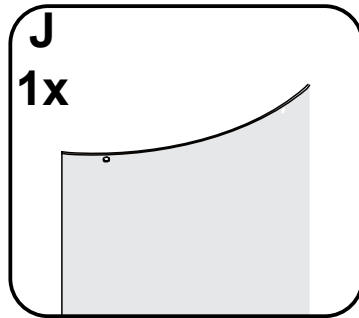
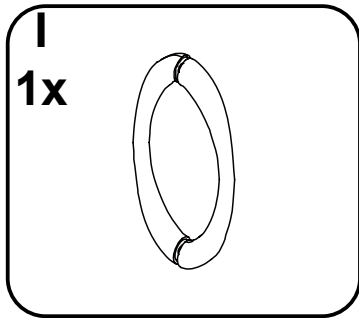
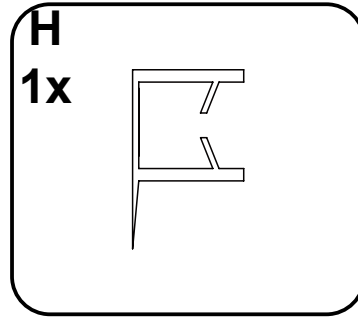
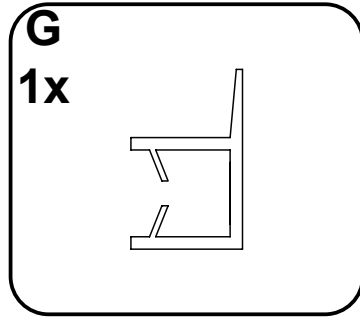
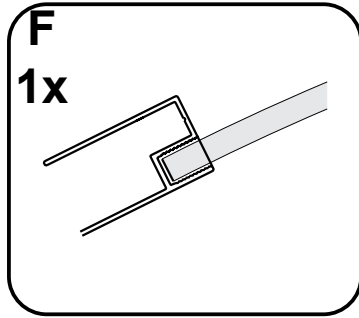
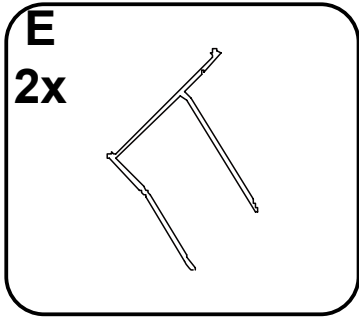
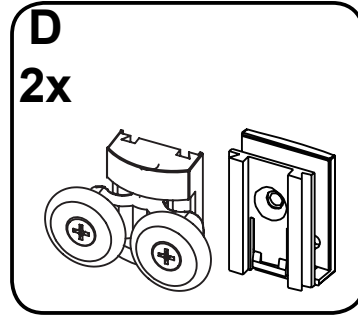
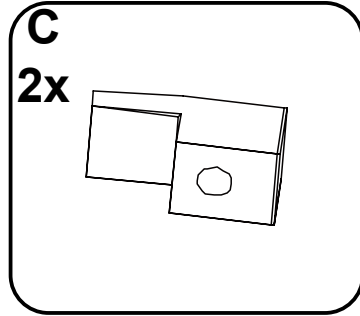
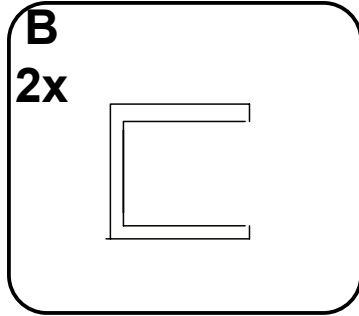
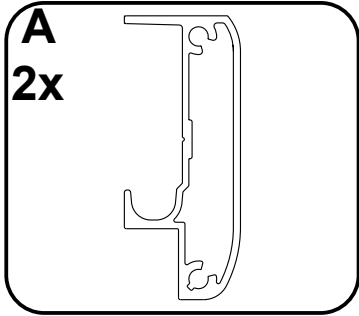
SHOWER DOOR OPENING DIMENSION

Measures: INCH [mm]

PACKAGE CONTENTS (SHOWER DOOR)



PACKAGE CONTENTS (SHOWER DOOR)



PARTS LIST (SHOWER DOOR)

PART #	DESCRIPTION	QUANTITY	CODE
A	Frame track (top and bottom)	2	32" Chrome: 99STR1033
			34" Chrome: 99STR1034
			36" Chrome: 99STR1035
			38" Chrome: 99STR1036
			32" Satin Nickel: 99STR3766-AC
			34" Satin Nickel: 99STR3767-AC
			36" Satin Nickel: 99STR3768-AC
			38" Satin Nickel: 99STR3769-AC
			32" Matt Black: 99STR3770-AC
			34" Matt Black: 99STR3771-AC
			36" Matt Black: 99STR3772-AC
			38" Matt Black: 99STR3773-AC
B	Fixed panel seal strip (top and bottom)	2	32" Chrome and Satin Nickel: 99SRU3633-AC
			34" Chrome and Satin Nickel: 99SRU3634-AC
			36" Chrome and Satin Nickel: 99SRU3635-AC
			38" Chrome and Satin Nickel : 99SRU3636-AC
			32" Matt Black: 99SRU3703-AC
			34" Matt Black: 99SRU3704-AC
			36" Matt Black: 99SRU3705-AC
			38" Matt Black: 99SRU3706-AC
C	Fixed panel clamp	2	Chrome: 99SGC1030
			Satin Nickel: 99SGC4053-AC
			Matt Black: 99SGC4054-AC
D	Top wheels and holder (holder pre-installed)	2	Chrome: 99SWE0067-AC
			Satin Nickel: 99SWE3644-AC
			Matt Black: 99SWE3645-AC
E	Wall track	2	32" Chrome: 99STR3835-AC
			32" Satin Nickel: 99STR3837-AC
			32" Matt Black: 99STR3836-AC
			34" Chrome: 99STR3838-AC
			34" Satin Nickel: 99STR3840-AC
			34" Matt Black: 99STR3839-AC
			36" Chrome: 99STR3841-AC
			36" Satin Nickel: 99STR3843-AC
			36" Matt Black: 99STR3842-AC
			38" Chrome: 99STR1043-AC
			38" Satin Nickel: 99STR3774-AC
			38" Matt Black: 99STR3775-AC

PARTS LIST (SHOWER DOOR)

PART #	DESCRIPTION	QUANTITY	CODE	
F	Fixed panel	1	Transparent glass	32" Chrome: 99SG10018-AC
				34" Chrome: 99SG10327-AC
				36" Chrome: 99SG10328-AC
				38" Chrome: 99SG10329-AC
				32" Satin Nickel: 99SG3754-AC
				34" Satin Nickel: 99SG3755-AC
				36" Satin Nickel: 99SG3756-AC
				38" Satin Nickel: 99SG3757-AC
				32" Matt Black: 99SG3758-AC
				34" Matt Black: 99SG3759-AC
			36" Matt Black: 99SG3760-AC	
			38" Matt Black: 99SG3761-AC	
			Rough messy frosted glass	32" Chrome: 99SGP-7S5N5VN8-AC
				34" Chrome: 99SGP-739GKCQU-AC
				36" Chrome: 99SGP-7Q9K943L-AC
				38" Chrome: 99SGP-59G50X35-AC
				32" Satin Nickel: 99SG3762-AC
				34" Satin Nickel: 99SG3763-AC
				36" Satin Nickel: 99SG3764-AC
				32" Matt Black: 99SG3766-AC
34" Matt Black: 99SG3767-AC				
36" Matt Black: 99SG3768-AC				
G	Fixed panel seal strip	1	Chrome and Satin Nickel: 99SRU0057	
			Matt Black: 99SRU3707-AC	
H	Door panel seal strip	1	Chrome and Satin Nickel: 99SRU0058	
			Matt Black: 99SRU3708-AC	
I	Door handle	1	Chrome: 99SHA1022	
			Satin Nickel: 99SHA3639-AC	
			Matt Black: 99SHA3640-AC	

PARTS LIST (SHOWER DOOR)

PART #	DESCRIPTION	QUANTITY	CODE	
J	Door panel	1	Transparent glass	32" : 99SGD0021-AC
				34" : 99SGD0041-AC
				36" : 99SGD0040-AC
				38" : 99SGD0042-AC
			Rough messy frosted glass	32" : 99SGD3661-AC
				34" : 99SGD3662-AC
				36" : 99SGD3663-AC
				38" : 99SGD3664-AC
			Small squares frosted glass	32" : 99SGD4958-AC
				34" : 99SGD4959-AC
				35" : 99SGD4960-AC
				36" : 99SGD4961-AC
K	Door magnetic seal strip	1	Chrome and Satin Nickel: 99SRU0059	
			Matt Black: 99SRU3709-AC	
L	Magnetic door track	1	Chrome: 99STR1037	
			Satin Nickel: 99STR3776-AC	
			Matt Black: 99STR3777-AC	
M	Bottom wheels and holder (holder pre-installed)	2	Chrome: 99SWE0068-AC	
			Satin Nickel: 99SWE3646-AC	
			Matt Black: 99SWE3647-AC	
***	Complete hardware kit	N/A	Chrome: 99SHW0040-AC	
			Satin Nickel: 99SHW6076-AC	
			Matt Black: 99SHW6077-AC	

SUPPLIED HARDWARE LIST (SHOWER DOOR)

AA



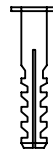
Screw
ST4x45
12+2

BB



Screw
ST3.5x25
8+1

CC



Wall Anchor
ø6x30
x8

DD



Screw
ST4x14
2+1

EE



Screw
ST4x13
6+1

FF



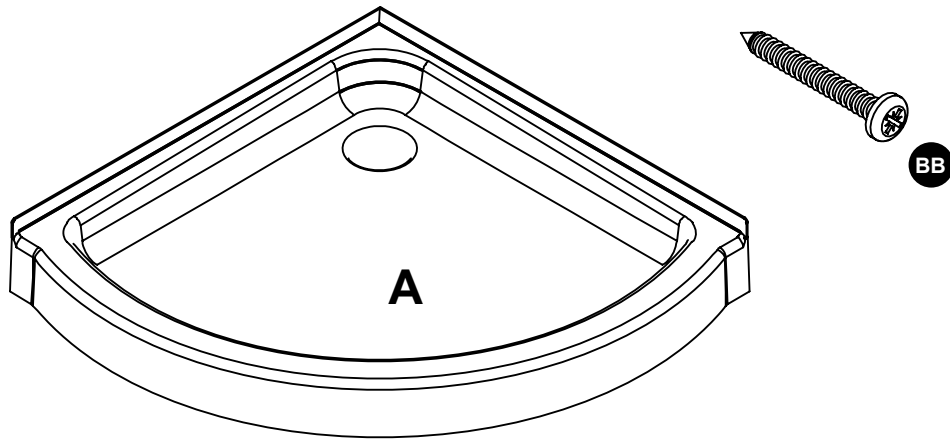
Screw cap
x14

GG



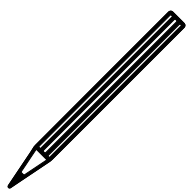
Washer
x14

PARTS LIST (SHOWER BASE)

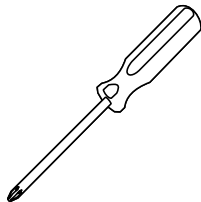


PART #	DESCRIPTION	QUANTITY	CODE
A	Shower base	1	
BB	Screw (ST4x30mm)	8+1	

TOOLS REQUIRED (NOT SUPPLIED)



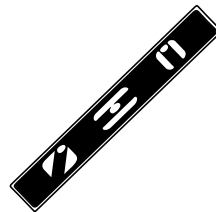
Pencil



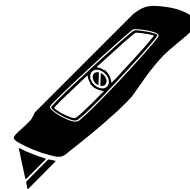
Screwdriver



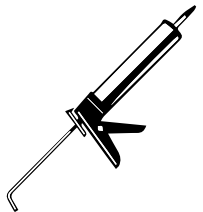
Measuring tape



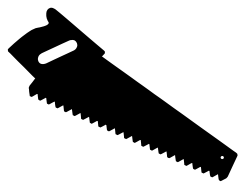
Level



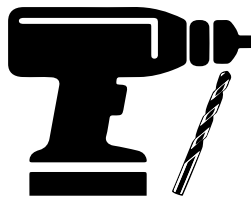
Box cutter



Silicone



Saw



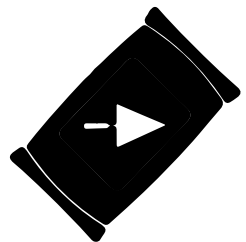
Drill and drill bits
 $\varnothing 1/8"$ (3mm)
 $\varnothing 3/16"$ (5mm)
 $\varnothing 1/4"$ (6mm)



Hole saw drill bit



Wood shims



Cement



Trowel



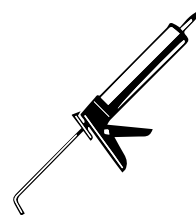
Safety glasses



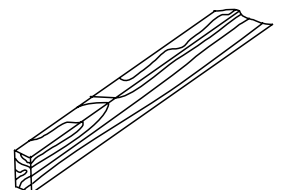
Rubber mallet



Ratchet
5mm Bit socket

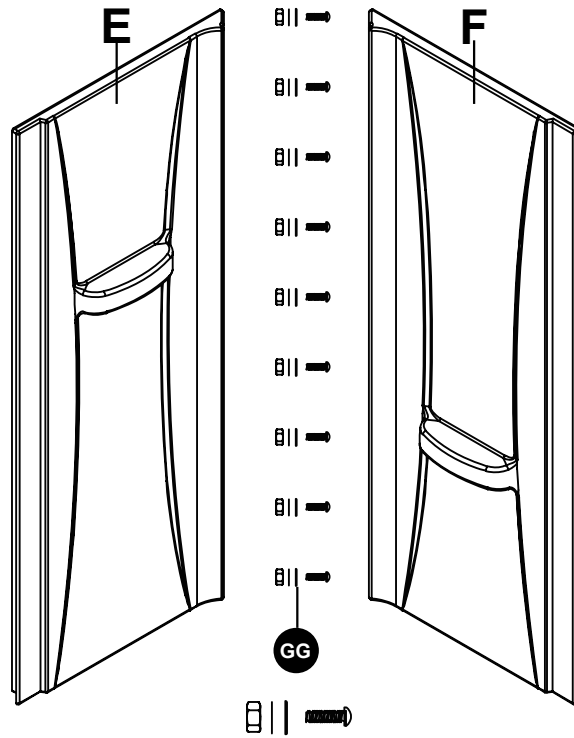


Construction Adhesive



1x3 Battens

PARTS LIST SHOWER WALL (IF PURCHASED AS A KIT)



PART #	DESCRIPTION	QUANTITY	CODE
E	Wall panel (left)	1	32" : 99SAP0044-AC
			34" : 99SAP0046-AC
			36" : 99SAP0048-AC
			38" : 99SAP0050-AC
F	Wall panel (right)	1	32" : 99SAP0045-AC
			34" : 99SAP0047-AC
			36" : 99SAP0049-AC
			38" : 99SAP0051-AC
GG	Bolt and nut	9	99SHW0353-AC



SAFETY INFORMATION



CAUTION

Please carefully read the following important safety information before handling or installing this shower. There is a risk of serious injury while handling this product. To minimize these risks, please note:

- Always wear safety glasses and gloves while handling.
- Always read and follow all the steps in the installation instructions.
- Inspect all contents and glass for damage before installation.
- Extreme caution should be taken while handling the glass during installation as the tempered glass may shatter if in contact with a hard surface.
- Handle the tempered glass with caution! Improperly handling the glass can cause it to break suddenly in small pieces (never in pointed fragments).
- Always take all precautions not to touch the tempered glass with any tools during the installation, or after installed.
- Do not cut or modify the tempered glass as it will shatter if cut.
- Carefully remove product from packaging and keep packaging until installation is complete.
- Inspect all parts for damage; if there is damage to the unit prior to installation, please contact customer service at the number provided in this guide.
- Install the shower on a floor that is level and able to accommodate the weight of the unit and an occupant.
- Consult local building codes and compliance standards prior to installation and ensure conformity.
- After installation, and from time to time, check the glass for fit and finish to ensure that nothing has come loose since installation.
- Keep this installation manual for future reference.

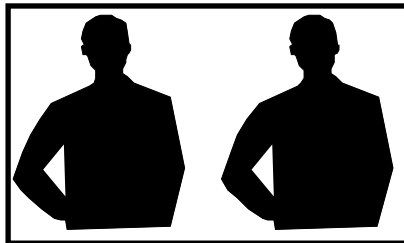
NOTICE

Any modification or alteration from what is specified in this instruction manual will void any and all warranty on this product.

The distributor is not responsible for any damage to the unit or personal property caused by improper installation. If you disregard instructional warnings, you will void your warranty and possibly deal with water damage.

Consult the distributor's website for any additional information or question on this product's installation.

PREPARATION



You will need at least two people to install this unit properly.



BEFORE INSTALLTION

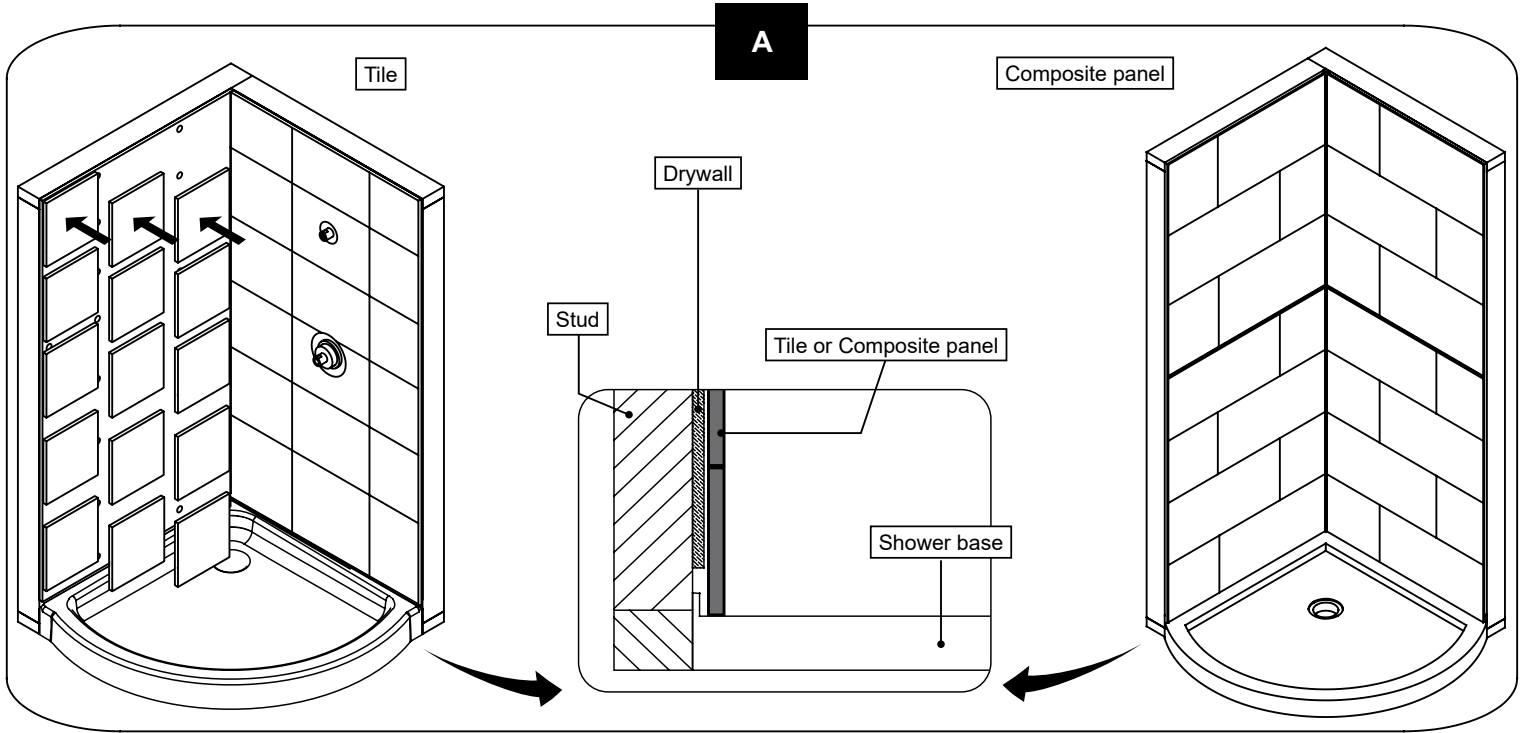


For the easy installation of this product please read the following important points:

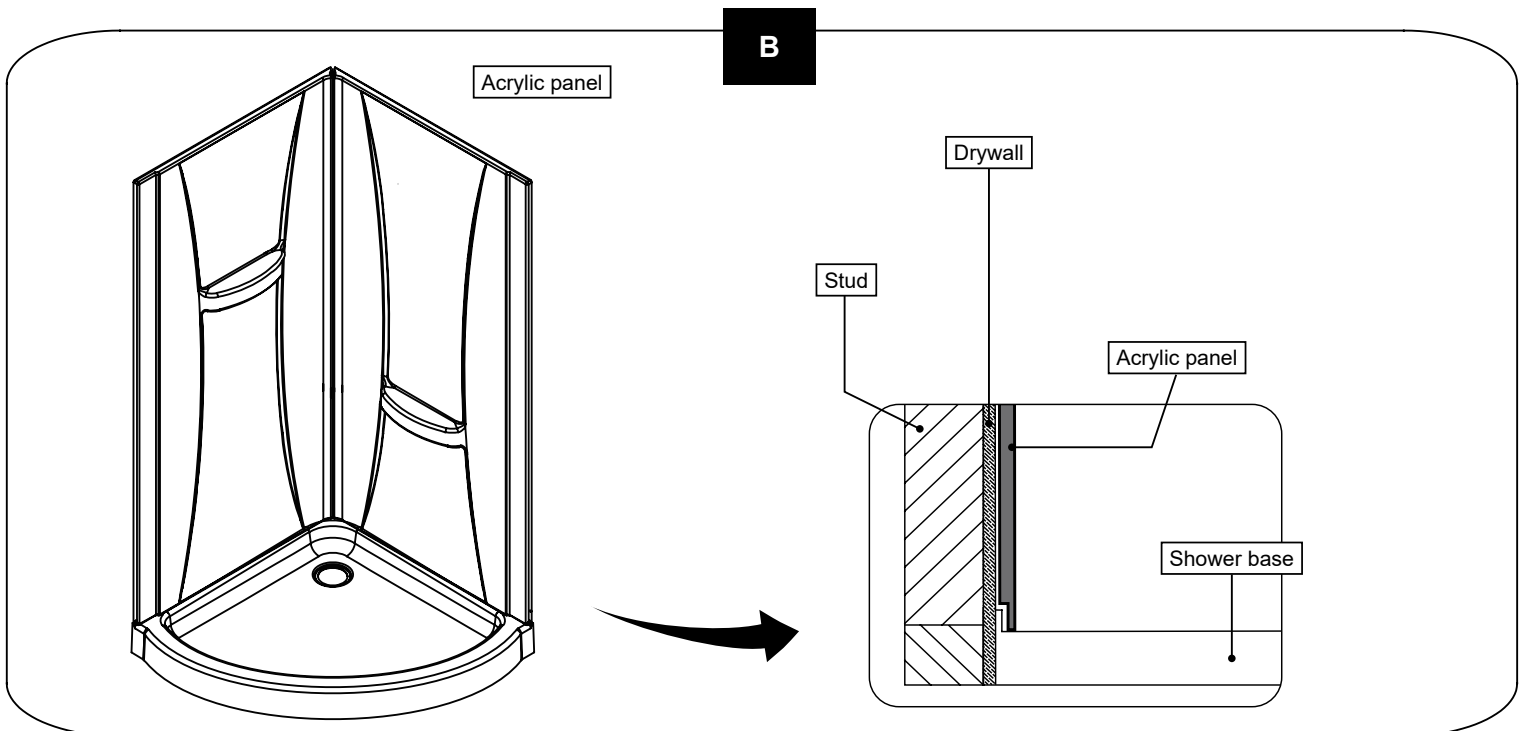
- **READ ALL the instructions completely before beginning.**
- **ENSURE you find all parts listed in the part list of each package: Shower Door, Shower Base, Shower Wall (if purchased as a kit).** Contact customer service immediately if any part is missing at 1-866-839-2888 or customerservice@ovedecors.com.
- If your walls are of tile or composite panels (**Option A**) continue to page 15. If you are using the provided Acrylic Panels, continue to (**Option B**) on page 25.

Please see the images below for **OPTION (A), OPTION (B).**

Shower Kit: Shower Door + Shower Base



Shower Kit: Shower Door + Shower Base + Shower Wall

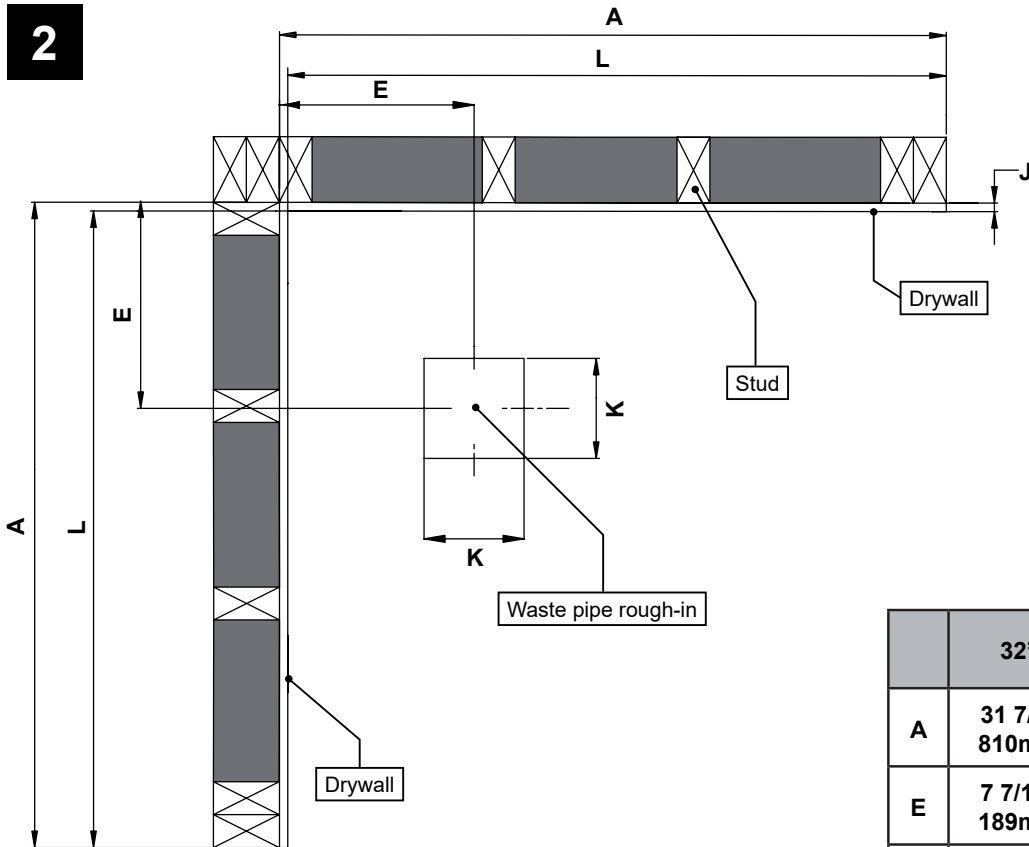
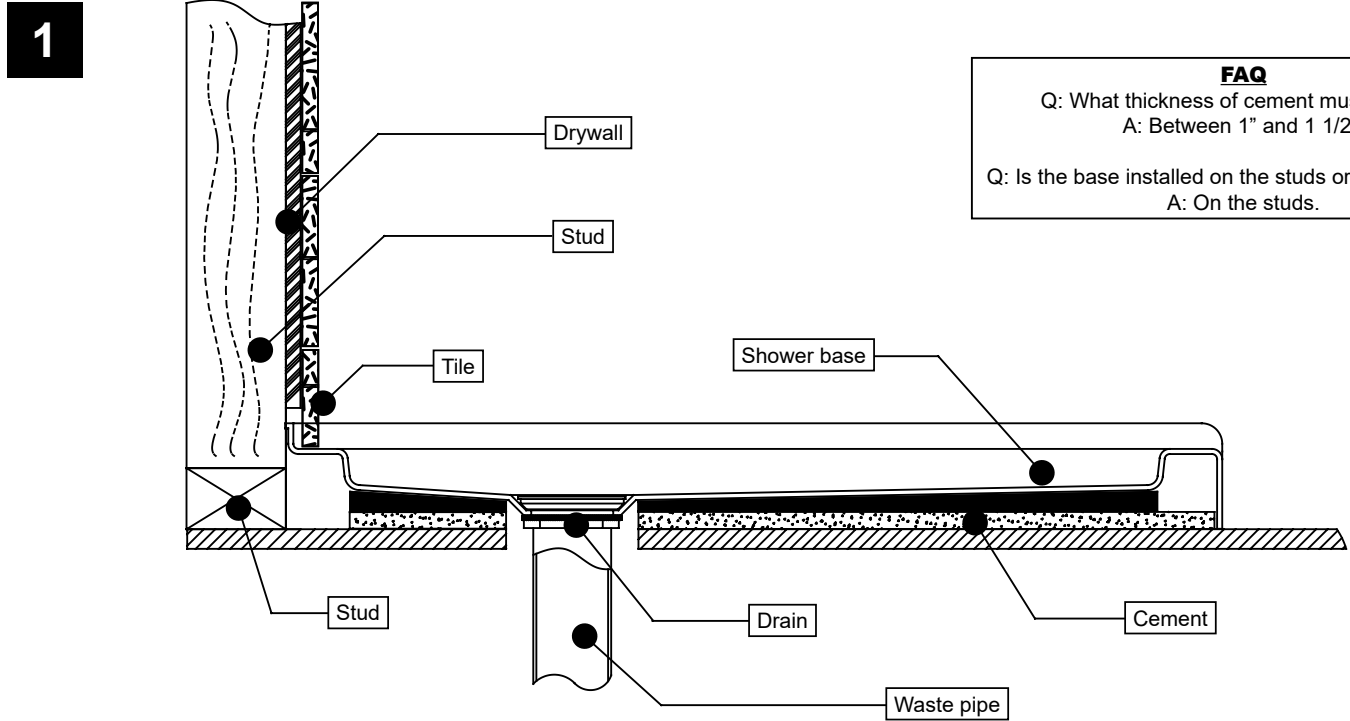


A

BASE INSTALLATION OVERVIEW (OPTION A)

1. Before you start the installation of your product consult the illustration 1 below showing a side-view of the completed installation.
2. Illustration 2 shows the recommended wall structure and measurements for the product installation.

NOTE: Customer must follow and comply with the local and national building and plumbing codes. All illustrations in this manual are for reference only and do not take precedent on any code or regulation. It's recommended that this product be installed by a professional.



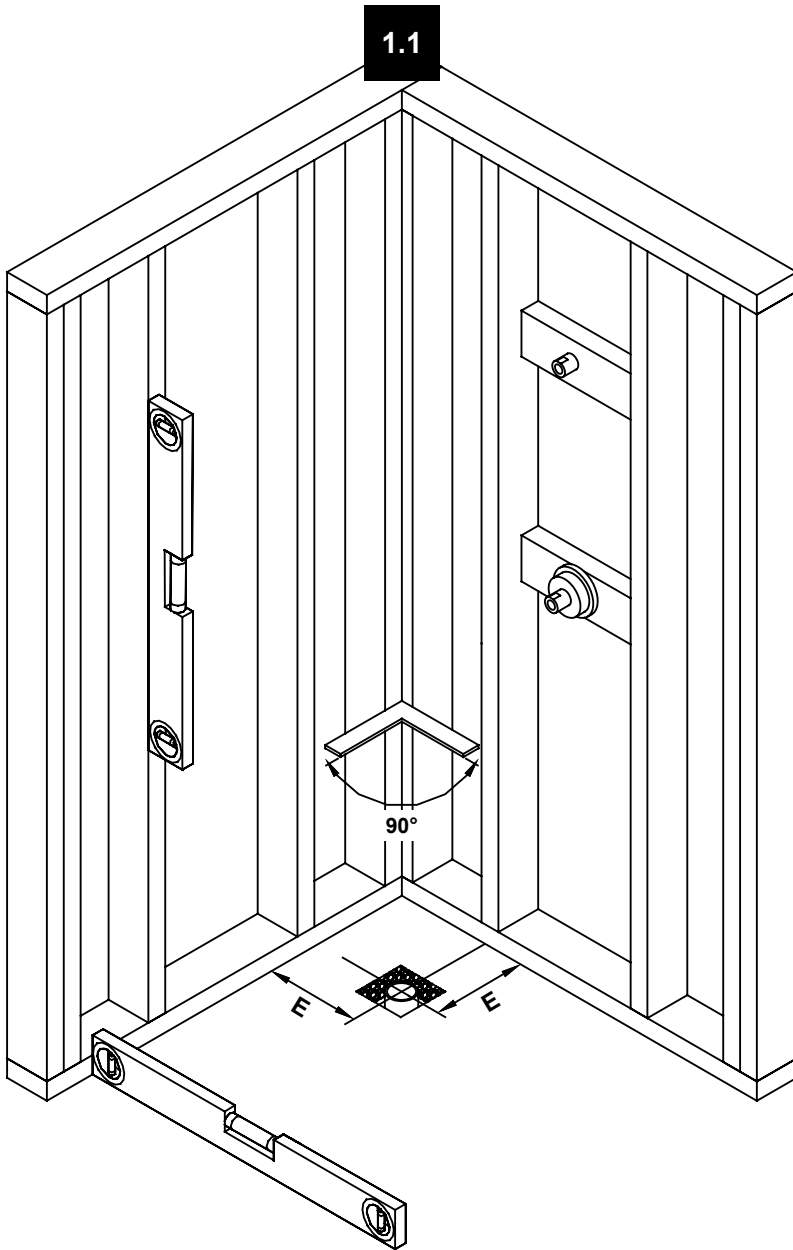
	32"	34"	36"	38"
A	31 7/8" 810mm	33 7/8" 860mm	35 15/16" 913mm	37 13/16" 960mm
E	7 7/16" 189mm	7 1/4" 184mm	12 3/8" 314mm	11 5/8" 296mm
J	1/2" 13mm	1/2" 13mm	1/2" 13mm	1/2" 13mm
K	6" 152mm	6" 152mm	6" 152mm	6" 152mm
L	31 9/16" 802mm	33 9/16" 852mm	35 1/2" 902mm	37 1/2" 952mm

1.1. Ensure that the wall structure is leveled.

1.2. Place the shower base (A) on the floor and mark the outline using a pencil.

*This section is only for tile wall installation, for composite wall panel installation please refer to your composite wall panel instruction manual.

1.1

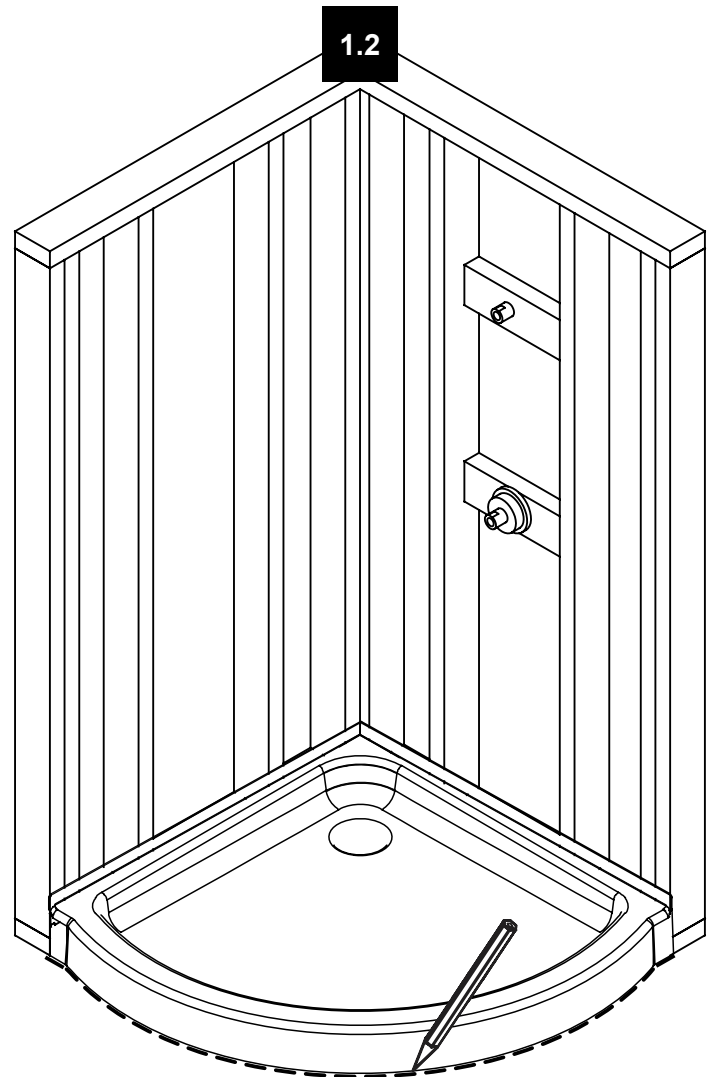


	32"	34"	36"	38"
E	7 7/16" 189mm	7 1/4" 184mm	12 3/8" 314mm	11 5/8" 296mm

NOT SUPPLIED!

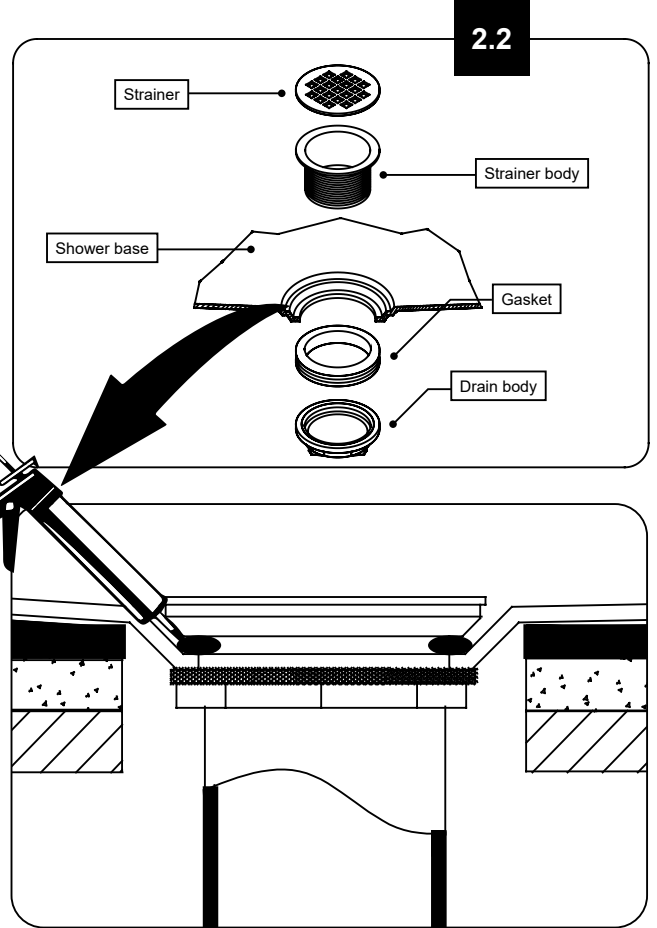
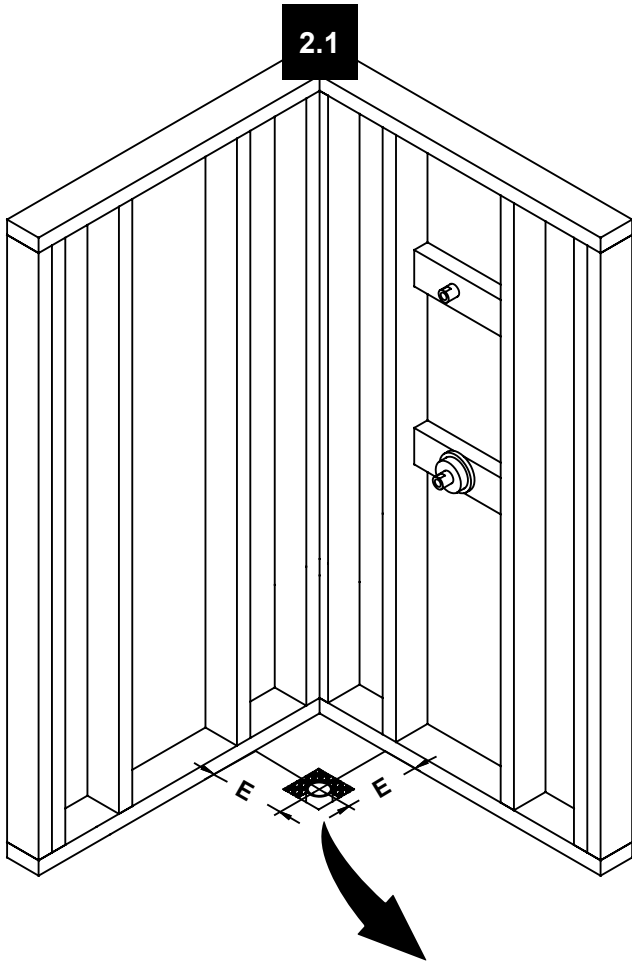
The studs, the drywalls and the drywall screws are not supplied.

1.2

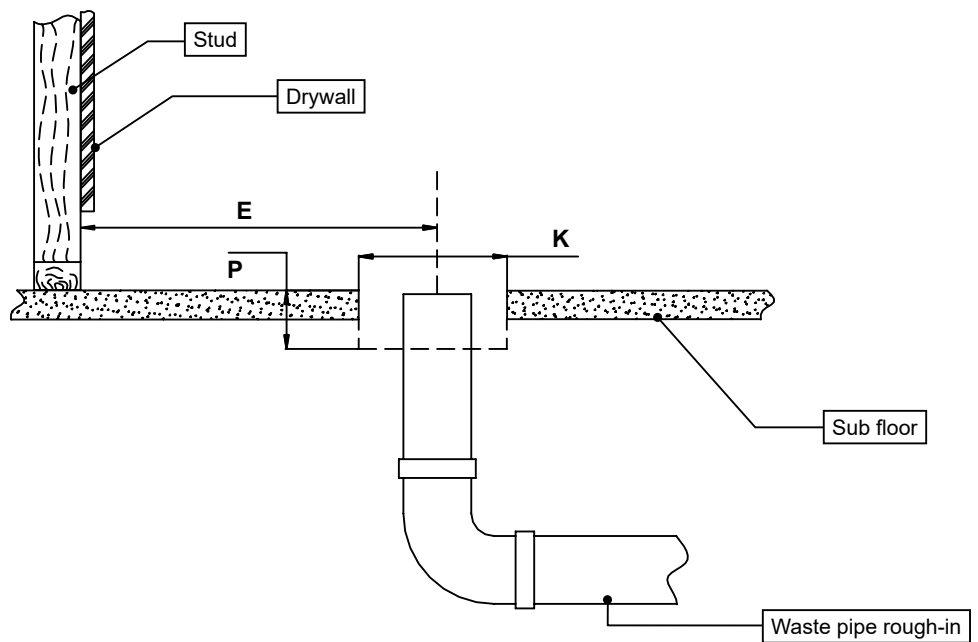


2.1. Ensure that the waste pipe plumbing is completed.

2.2. The shower drain is not supplied, these illustrations are for reference only. It is recommended that you review the drain installation from the manufacturer before continuing. Usually, the drain body must be sealed onto the waste pipe before continuing the base installation. Once the base installation is completed, the strainer body is screwed into the drain body. Apply silicone under the strainer body to reduce the risks of leakage.



	32"	34"	36"	38"
E	7 7/16" 189mm	7 1/4" 184mm	12 3/8" 314mm	11 5/8" 296mm
K	6" 152mm	6" 152mm	6" 152mm	6" 152mm
P	2 1/4" 57mm	2 1/4" 57mm	2 1/4" 57mm	2 1/4" 57mm



NOT SUPPLIED!
The shower drain and the waste pipe are not supplied.

3.1. Apply cement (1 in to 1 1/2 in [2.5 to 3.8cm] thick) within the traced contour of the shower base. This will help level the base in subsequent steps. The thickness of the cement layer varies depending on your floor.

3.2. Before setting the shower base onto the cement, it is recommended to cover the cement with a thin (2mm [1/16 in]) sheet of polyethylene. This will prevent the base from being permanently stuck to the cement, and allow for future adjustments if necessary.

3.3. Level the shower base.

NOT SUPPLIED!

The cement and the polyethylene sheet are not supplied.

FAQ

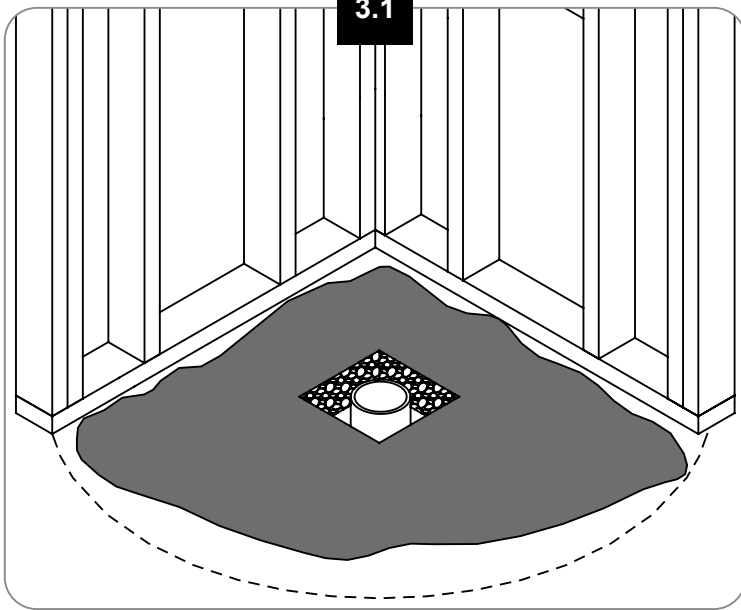
Q: What thickness of cement must I apply?

A: Between 1" and 1 1/2" (2.5 to 3.8cm).

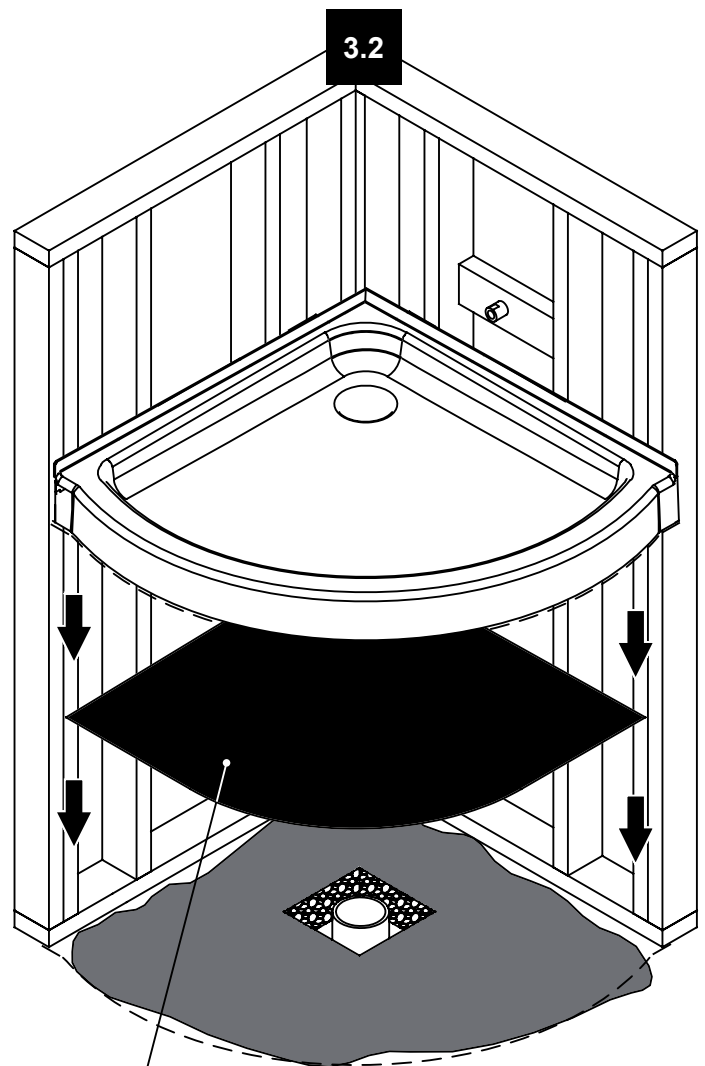
Q: Is the base installed on the studs or on the drywall?

A: On the studs.

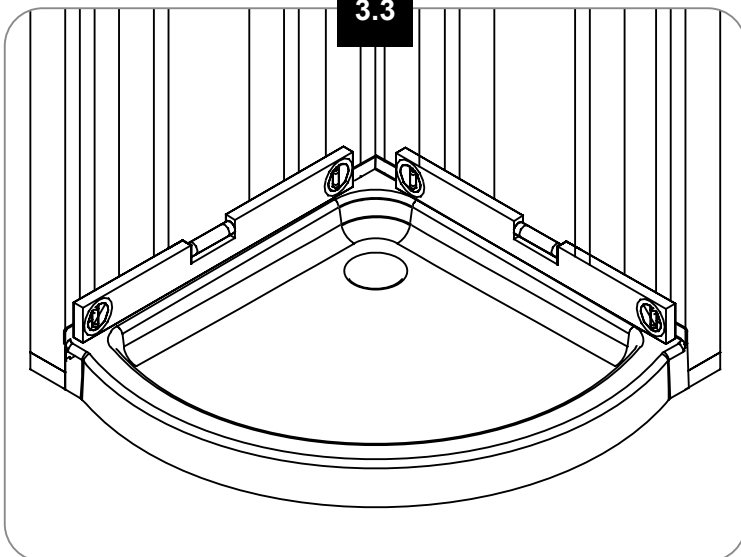
3.1



3.2



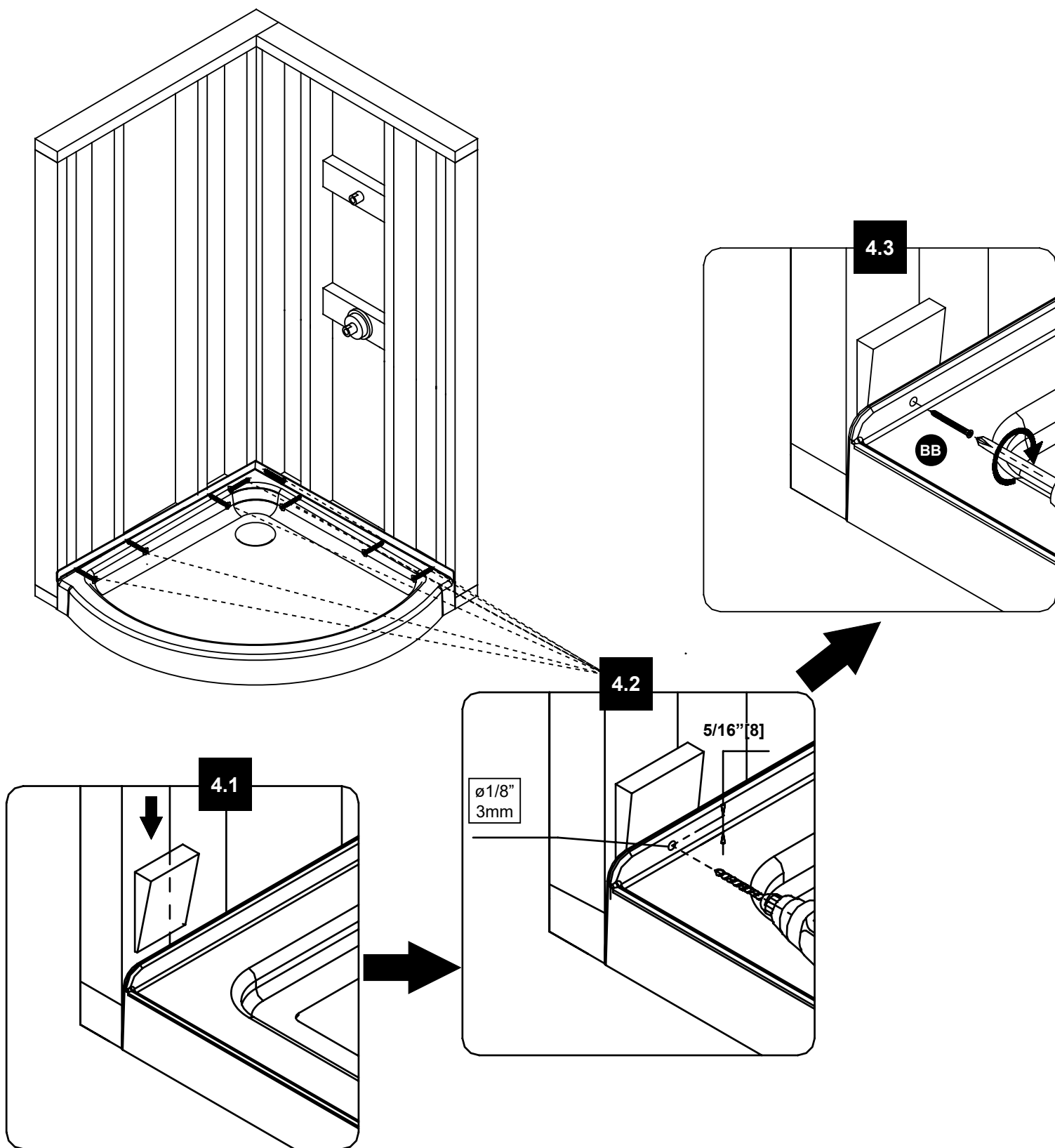
3.3



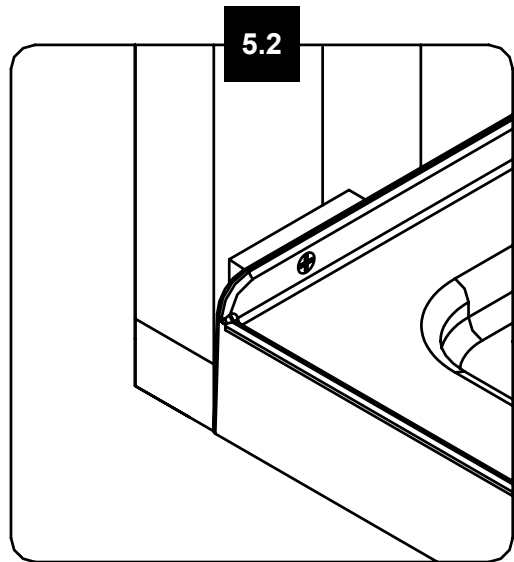
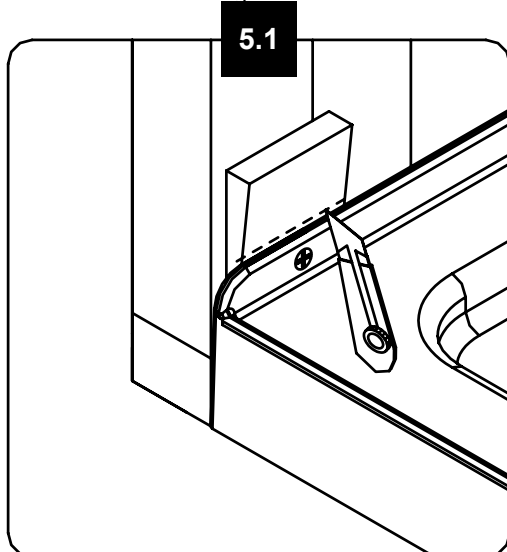
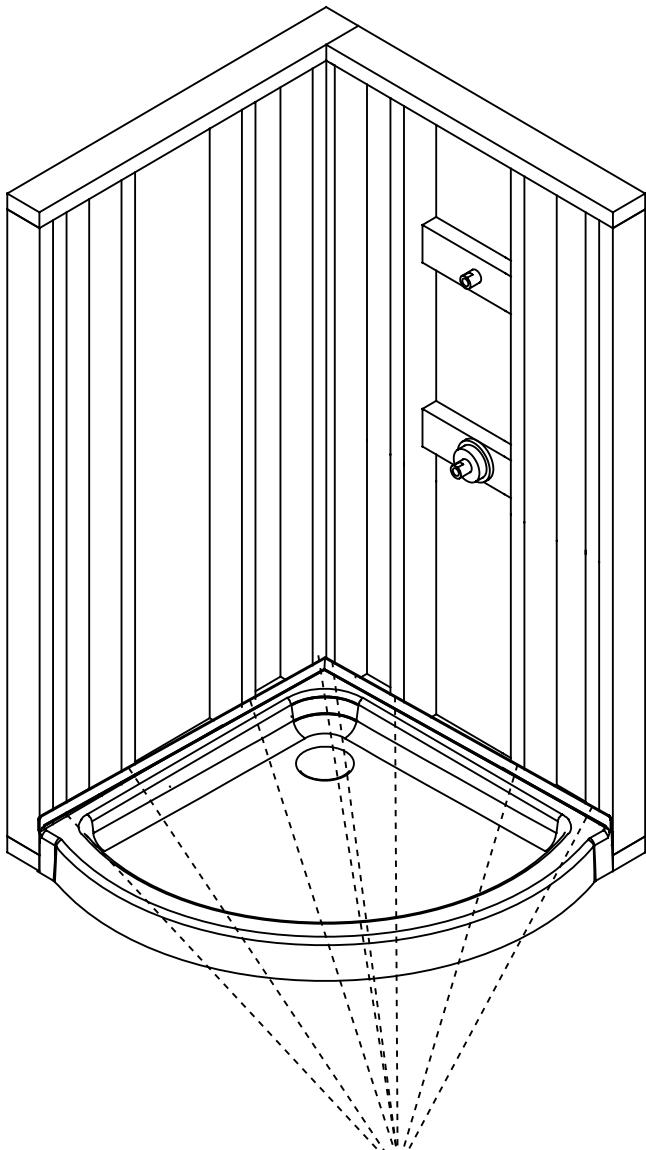
Polyethylene sheet 1/16" (2mm) thick

4.1. The shower base flange is slightly slopped by design. At the locations where you will screw the shower base to the studs, it is recommended that you use wood shims to fill the gap between the base flange and the studs.

4.2-4.3. Drill guide holes, and fix the shower base by screwing it to the studs. It is recommended that you screw 1 screw per stud, and aim for the center of the stud.



- 5.1. Cut the protruding part of the wood shims.
5.2. Let the cement dry for 24 hours before continuing.



BASE INSTALLATION (DRYWALLS)

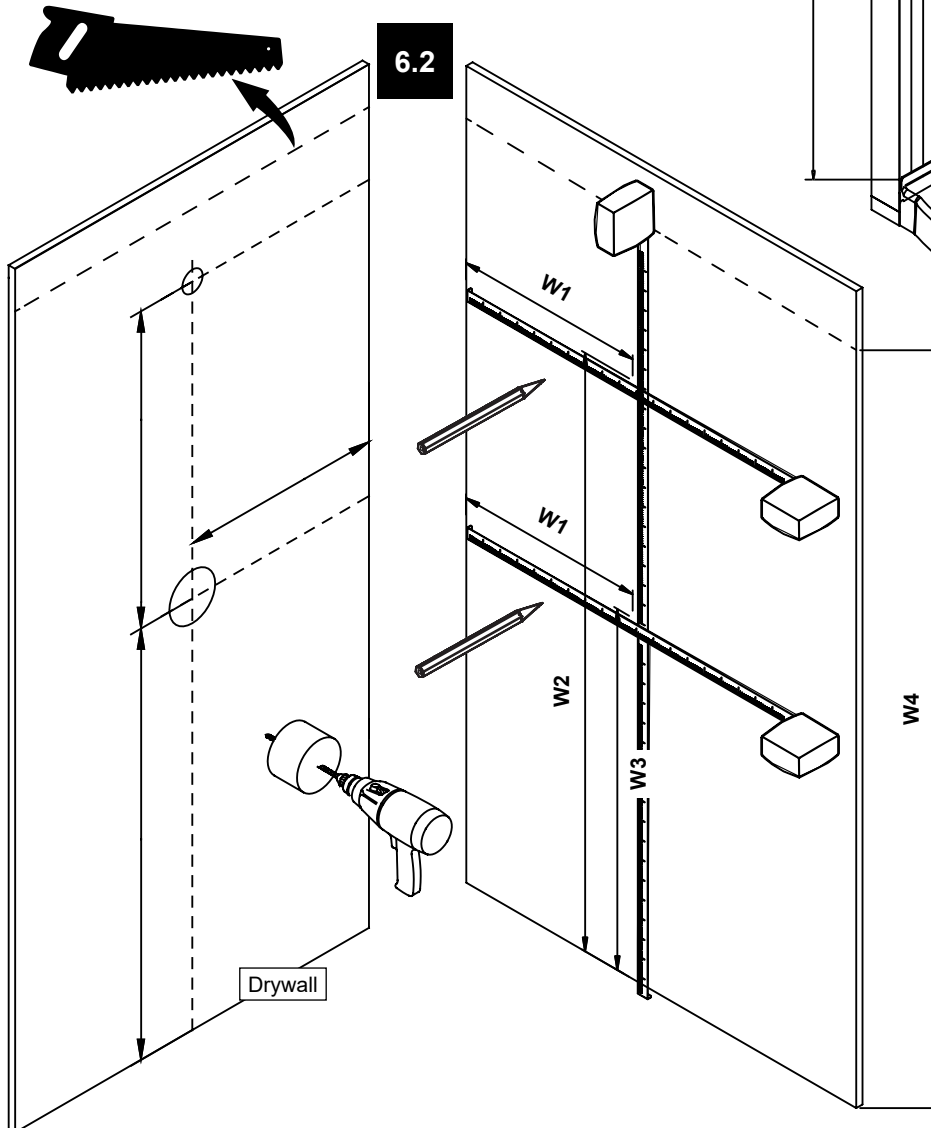
6.1. Measure the location of the existing shower valve and shower arm fitting in the wall, as illustrated by the measures W1, W2, W3 and W4 below.

6.2. Before installing your drywalls, drill holes at the measured locations for the existing plumbing on the wall. Use a hole saw drill bit to neatly cut through the drywall. Also cut the drywalls the to correct height.

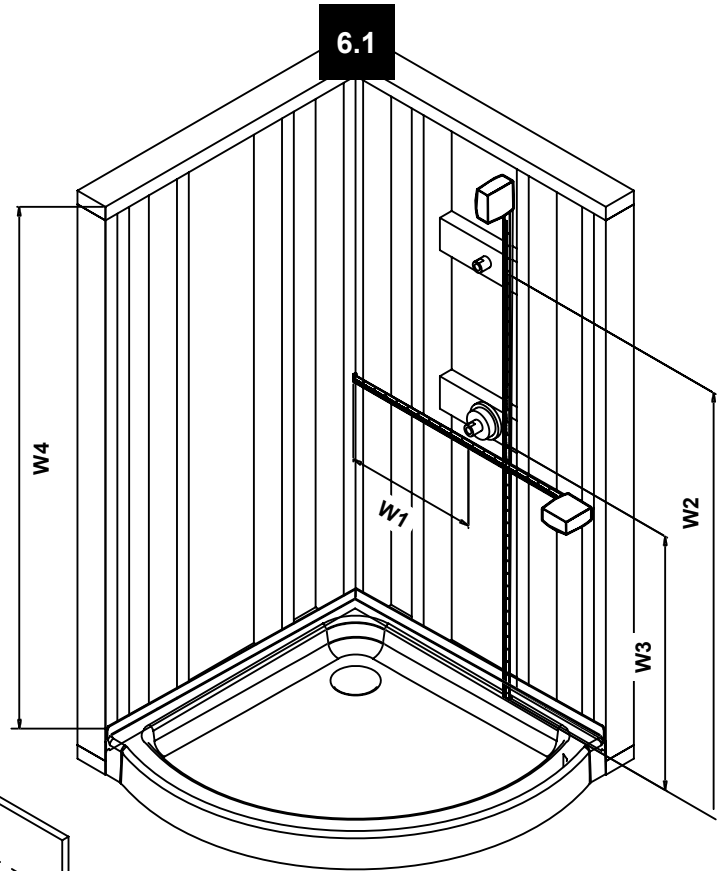
NOT SUPPLIED!

The studs, the drywalls and the drywall screws are not supplied.

6.2



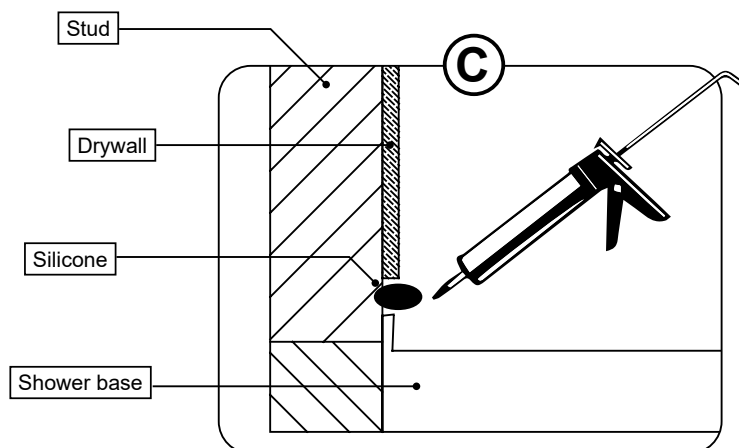
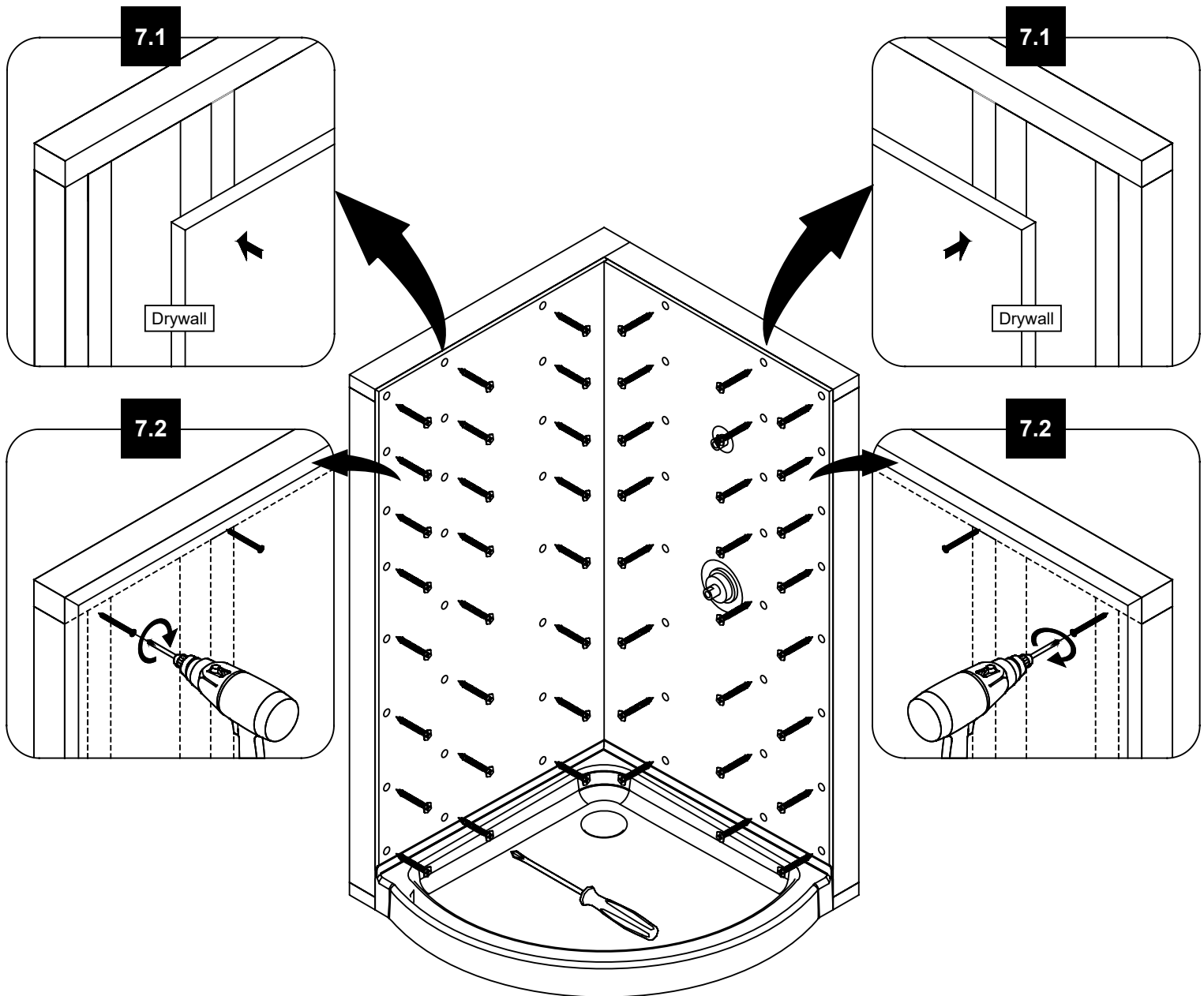
6.1

**HELPFUL HINT!**

A hole saw drill bit of the proper size can be rented at your local tool renting store.

7.1-7.2. Fix the drywalls to the studs using drywall screws. Follow the applicable building code requirements.

7.3. Note that the drywalls have to rest on top of the shower base flange, and sealed together with a bead of silicone.



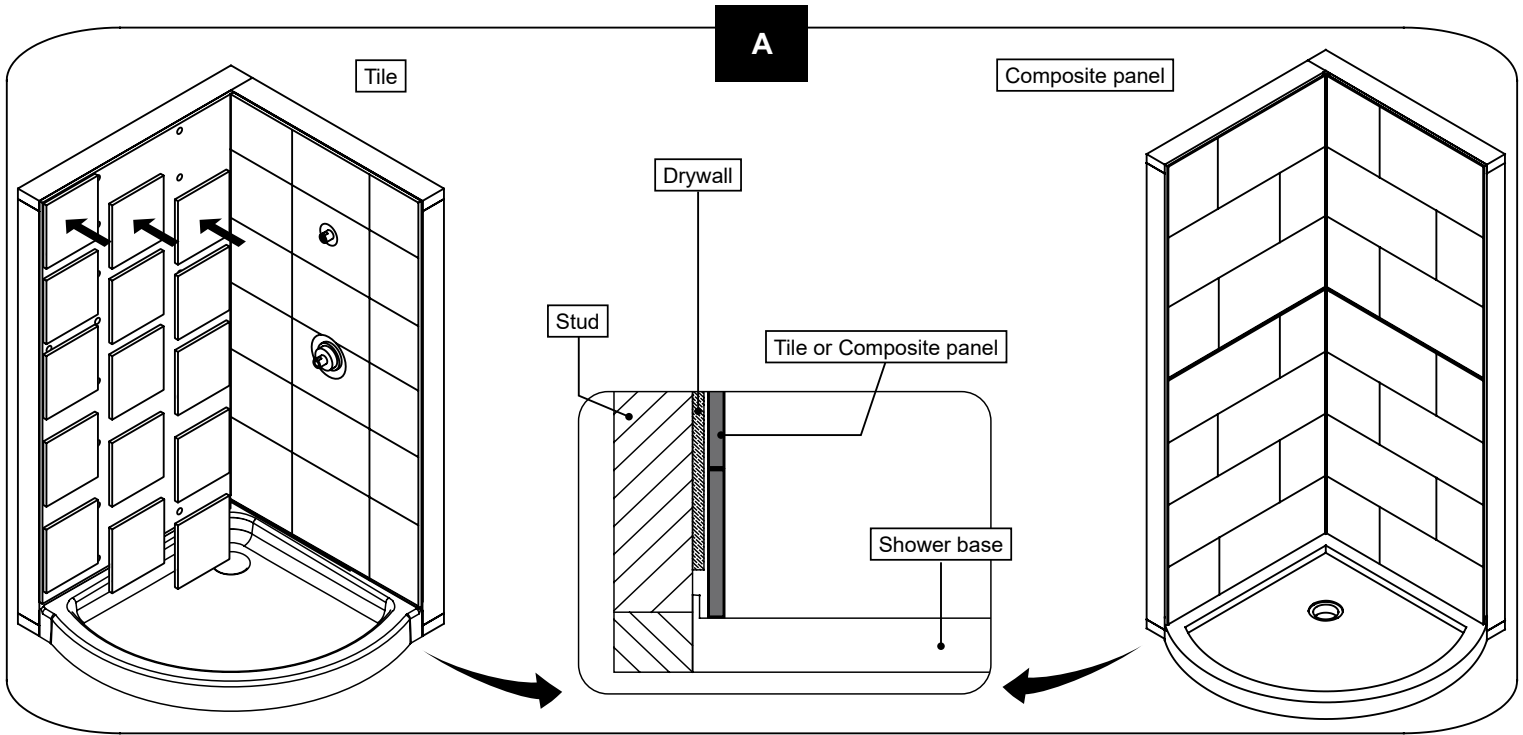


TILE OR SHOWER WALL INSTALLATION

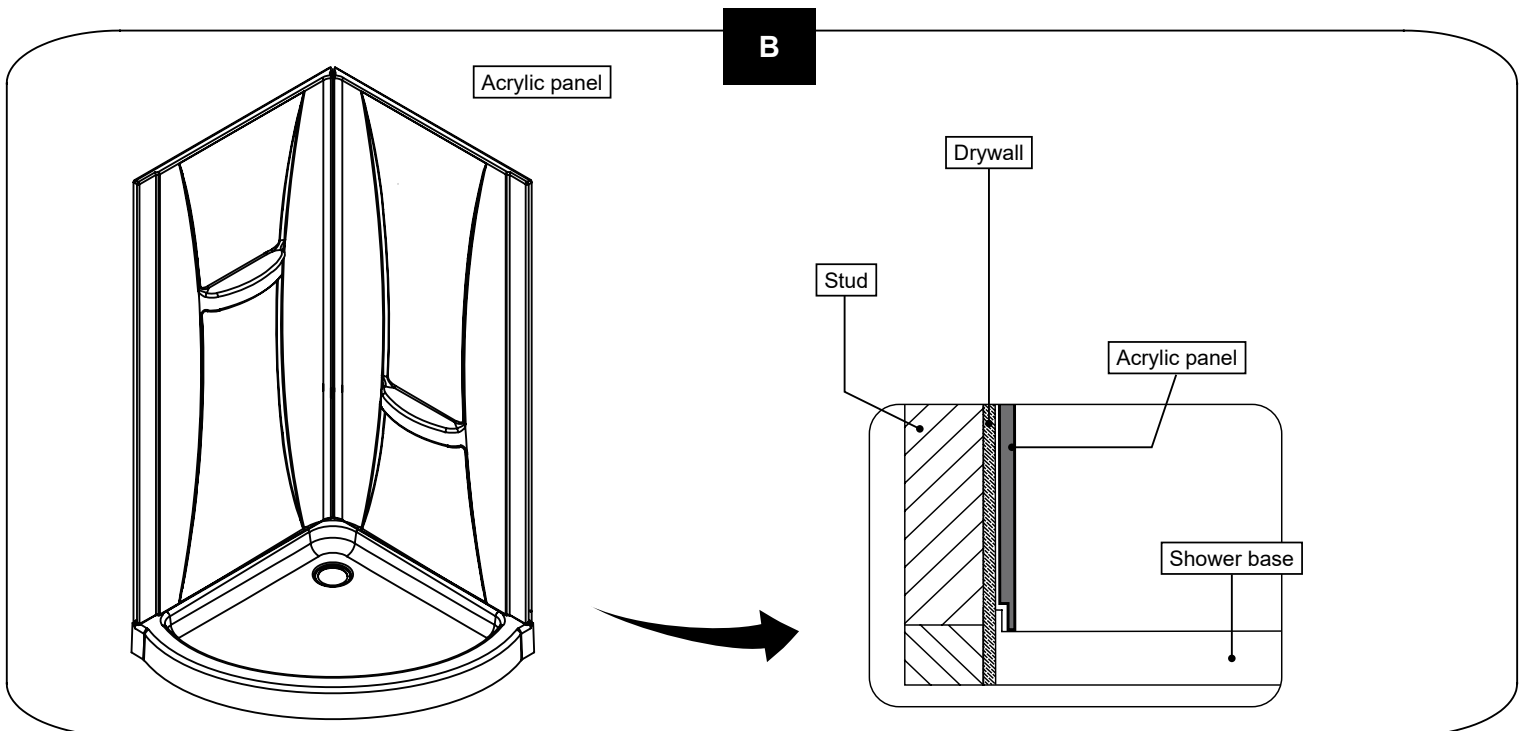


• If your walls are of tile or composite panels (**Option A**) continue to the next page. If you are using the provided Acrylic Panels, continue to (**Option B**) on page 25.
 Please see the images below for **OPTION (A)**, **OPTION (B)**.

Shower Kit: Shower Door + Shower Base



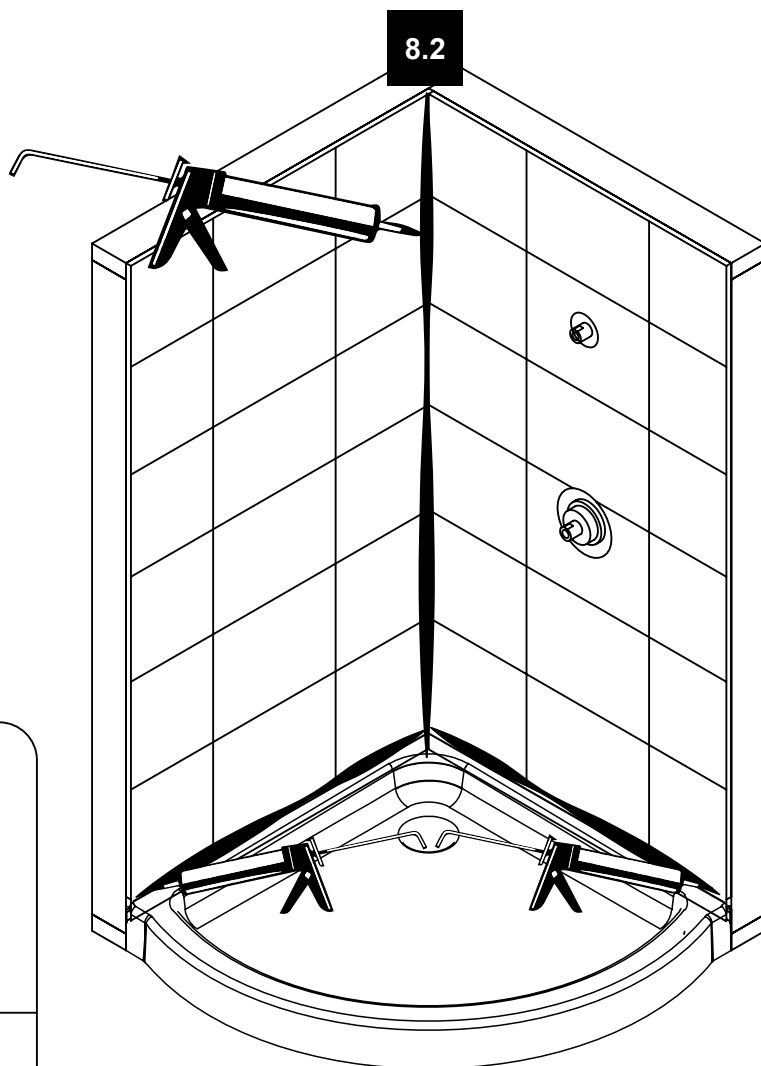
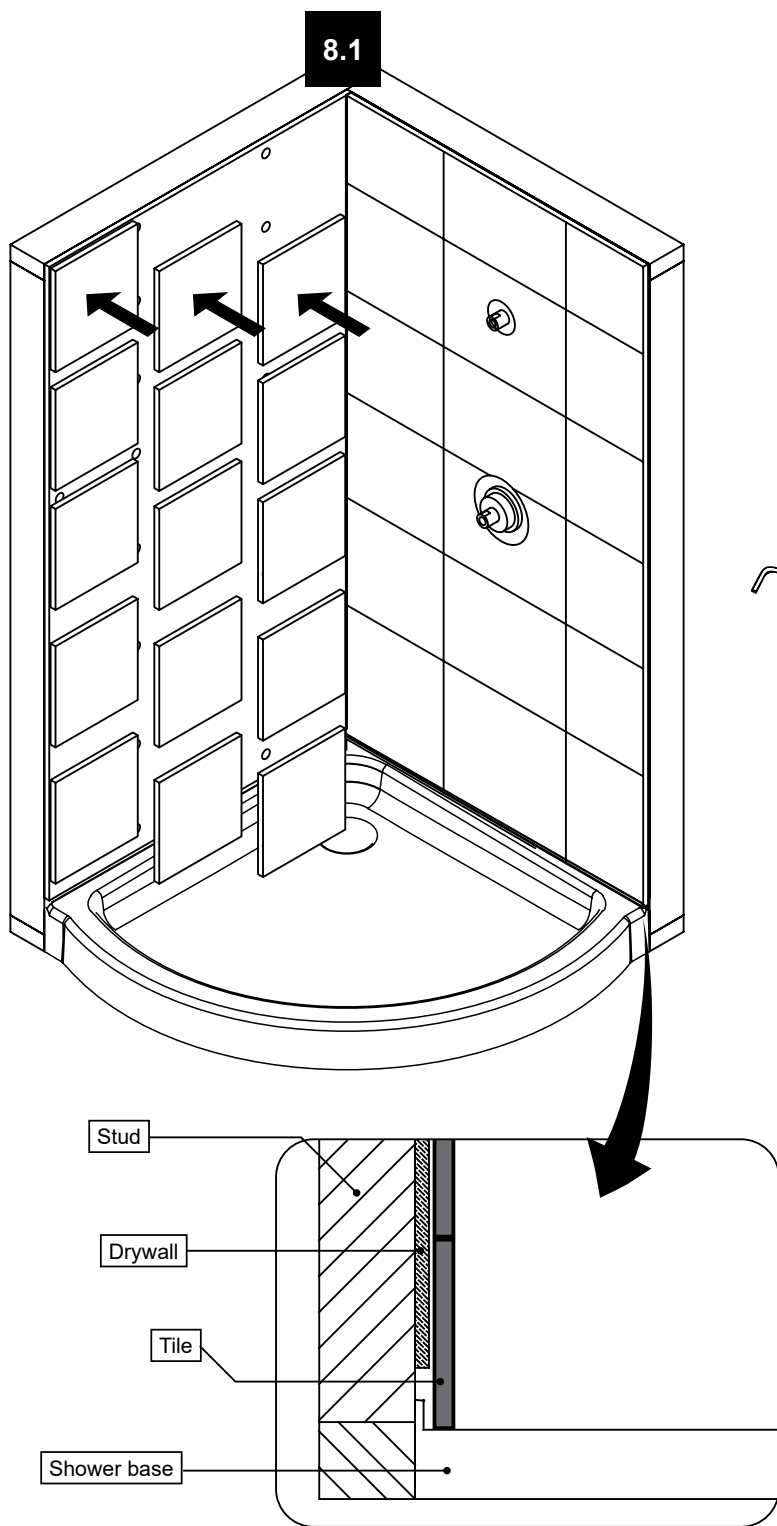
Shower Kit: Shower Door + Shower Base + Shower Wall



- 8.1. Install the tiles on your wall.
8.2. Seal all joints with silicone.



CONTINUE THIS INSTALLATION AT STEP#1 OF THE SHOWER ENCLOSURE INSTALLATION PAGE

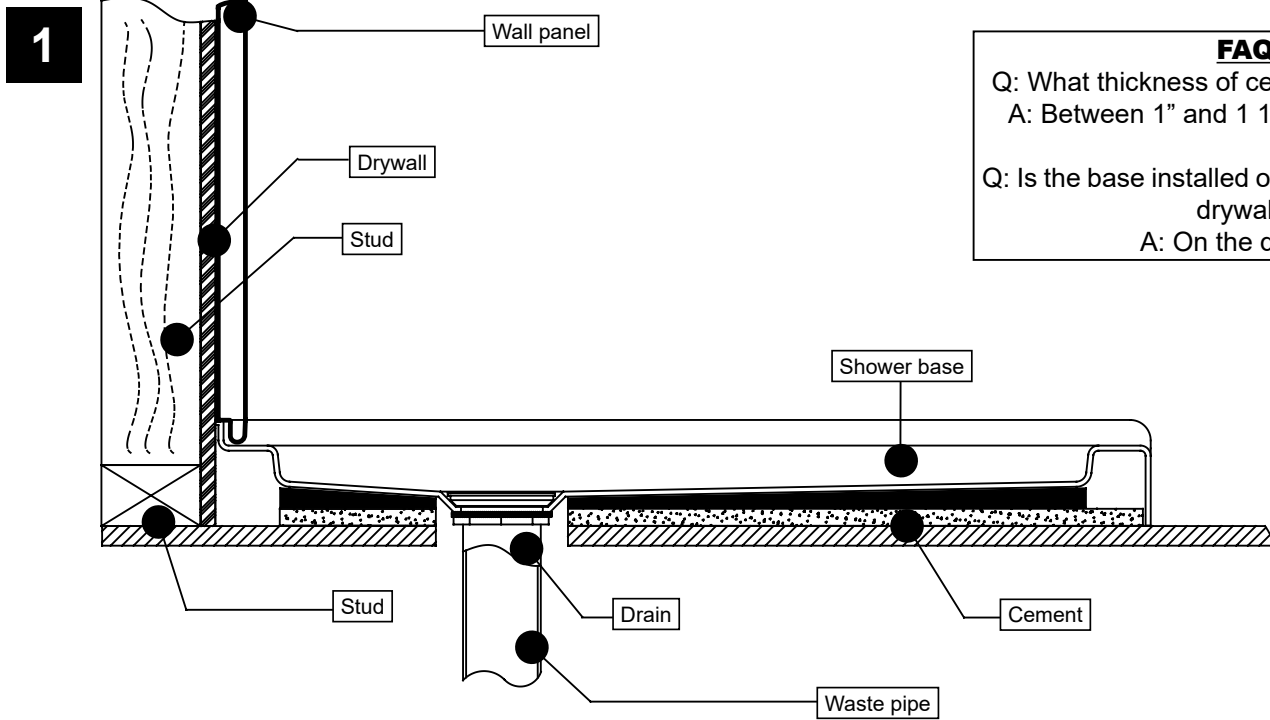


B

BASE INSTALLATION OVERVIEW (OPTION B)

1. Before you start the installation of your product consult the illustration 1 below showing a side-view of the completed installation.
2. Illustration 2 shows the recommended wall structure and measurements for the product installation.

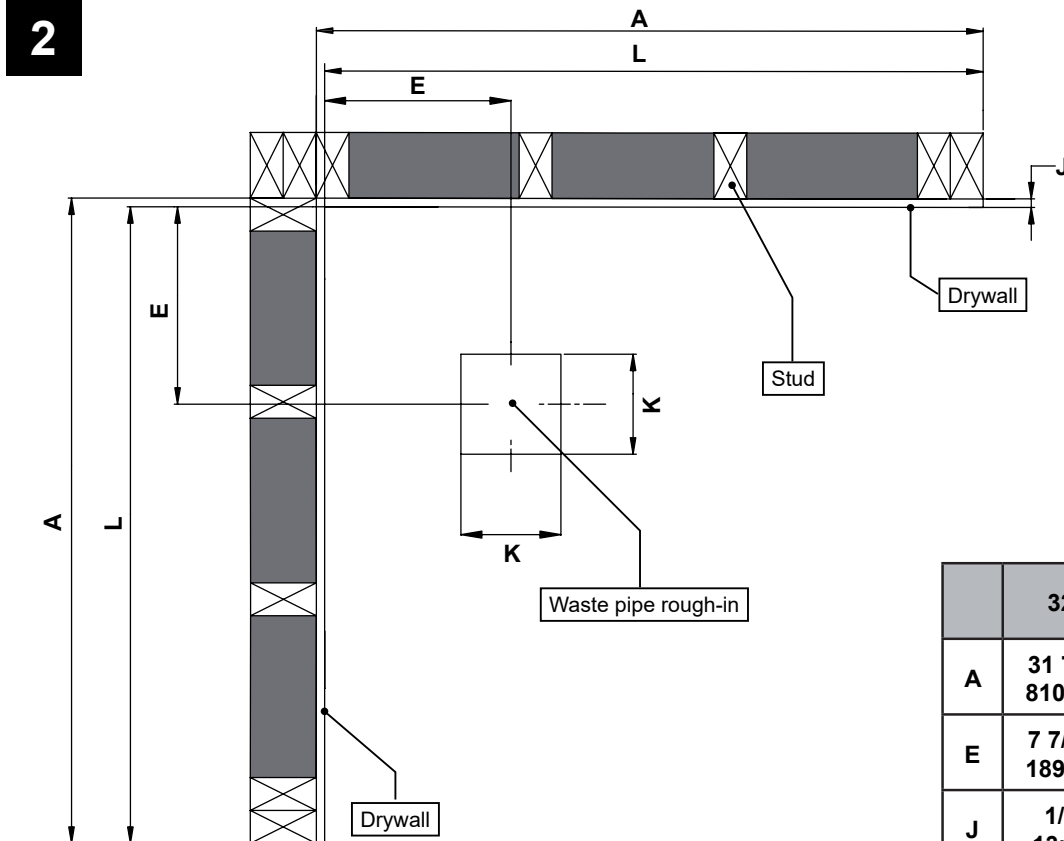
NOTE: Customer must follow and comply with the local and national building and plumbing codes. All illustrations in this manual are for reference only and do not take precedent on any code or regulation. It's recommended that this product be installed by a professional.



FAQ

Q: What thickness of cement must I apply?
A: Between 1" and 1 1/2" (2.5 to 3.8cm).

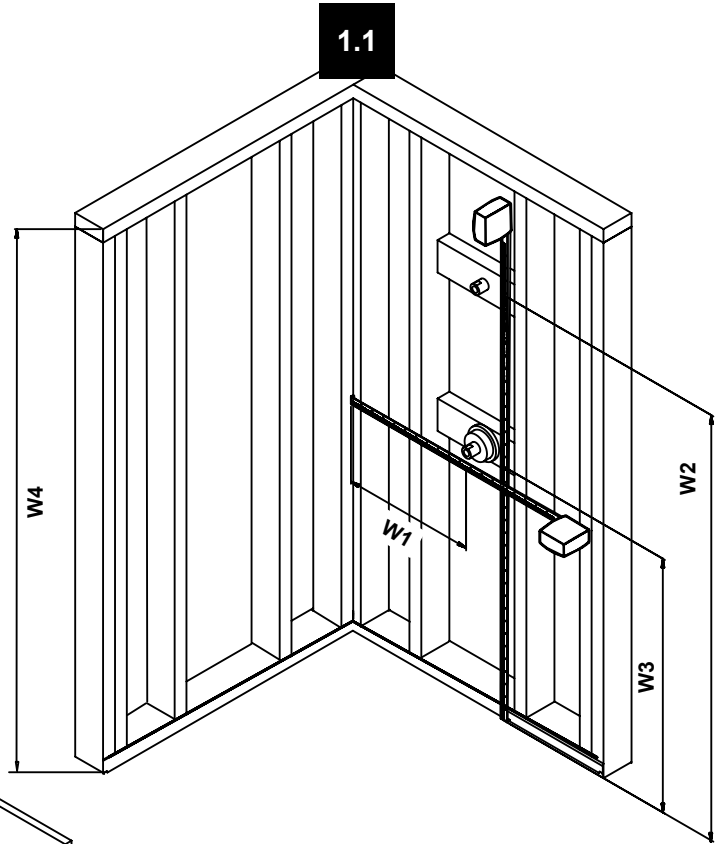
Q: Is the base installed on the studs or on the drywall?
A: On the drywall.



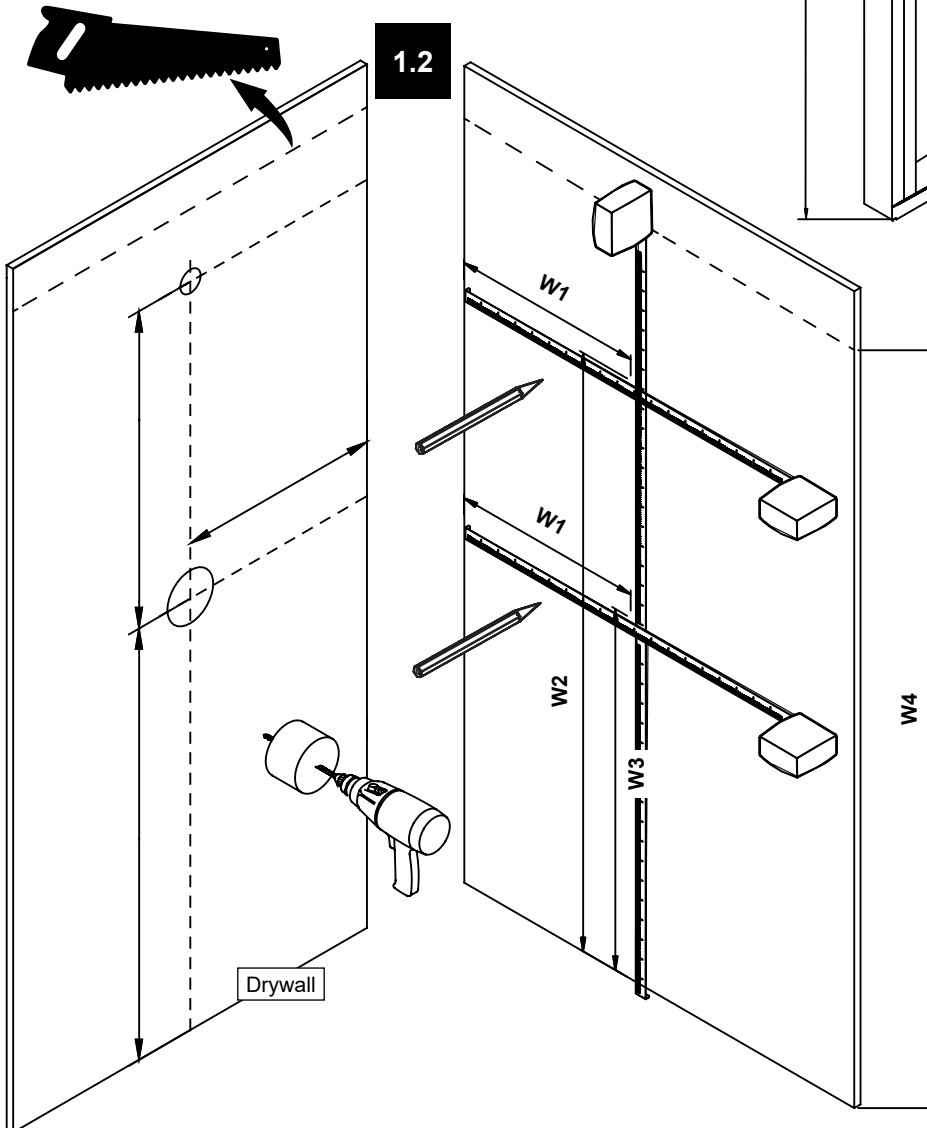
	32"	34"	36"	38"
A	31 7/8" 810mm	33 7/8" 860mm	35 15/16" 913mm	37 13/16" 960mm
E	7 7/16" 189mm	7 1/4" 184mm	12 3/8" 314mm	11 5/8" 296mm
J	1/2" 13mm	1/2" 13mm	1/2" 13mm	1/2" 13mm
K	6" 152mm	6" 152mm	6" 152mm	6" 152mm
L	31 9/16" 815mm	33 9/16" 865mm	35 1/2" 915mm	37 1/2" 965mm

BASE INSTALLATION (DRYWALLS)

- 1.1. Measure the location of the existing shower valve and shower arm fitting in the wall, as illustrated by the measures W1, W2, W3 and W4 below.
 1.2. Before installing your drywalls, drill holes at the measured locations for the existing plumbing on the wall. Use a hole saw drill bit to neatly cut through the drywall. Also cut the drywalls the to correct height.

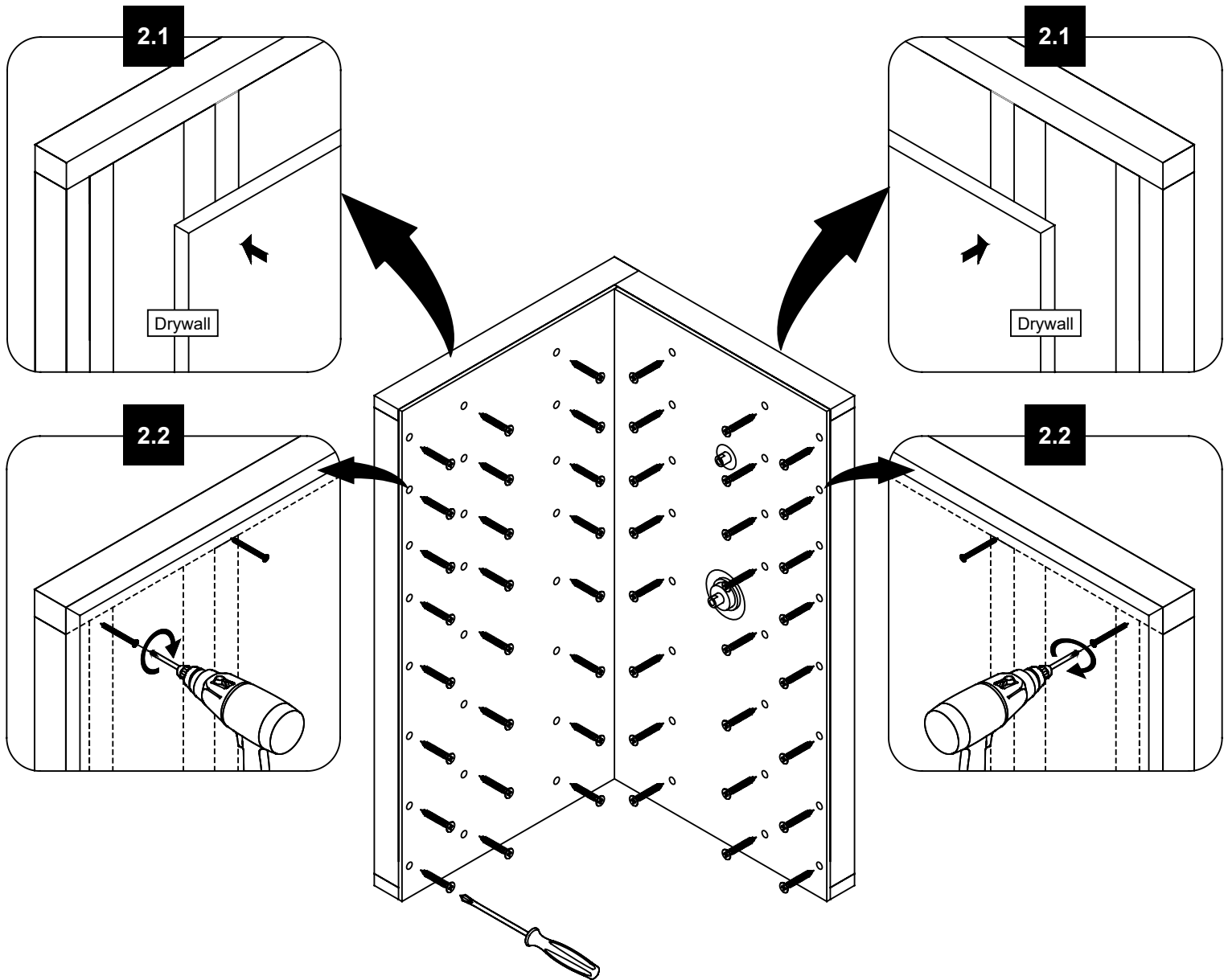
1.1

NOT SUPPLIED!
 The studs, the drywalls and the drywall screws are not supplied.

1.2**HELPFUL HINT!**

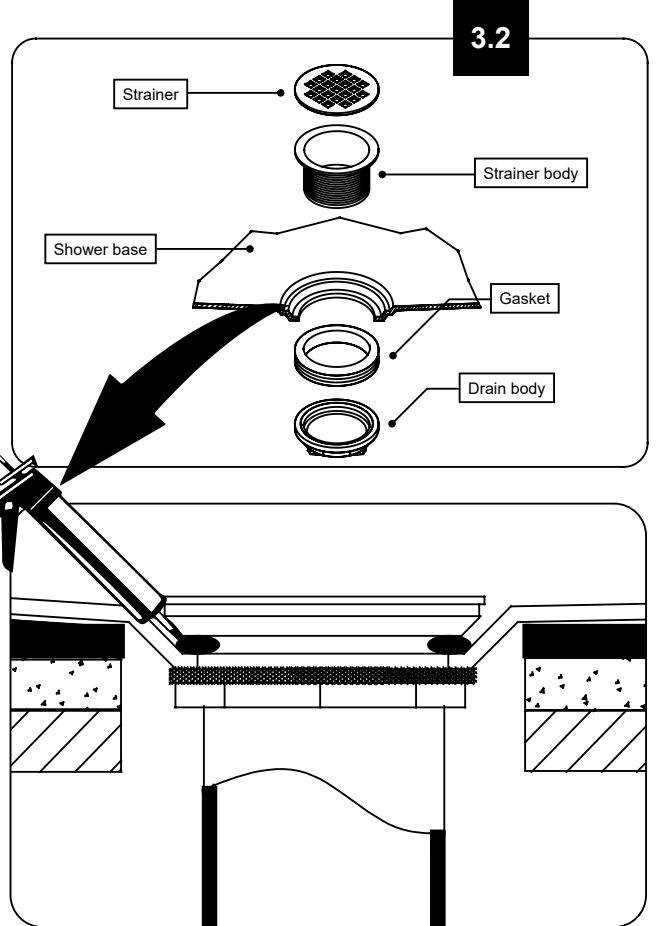
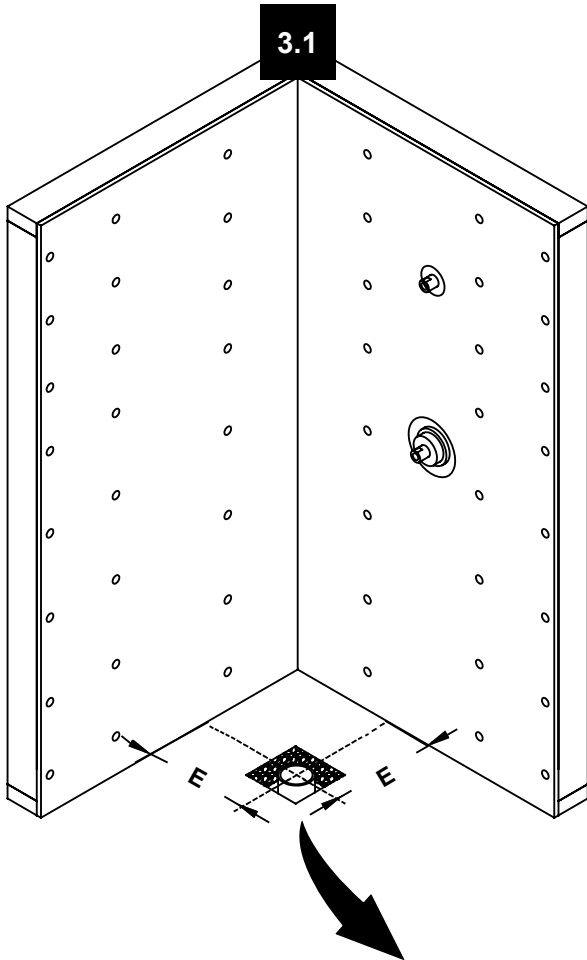
A hole saw drill bit of the proper size can be rented at your local tool renting store.

2.1-2.2. Fix the drywalls to the studs using drywall screws. Follow the applicable building code requirements.

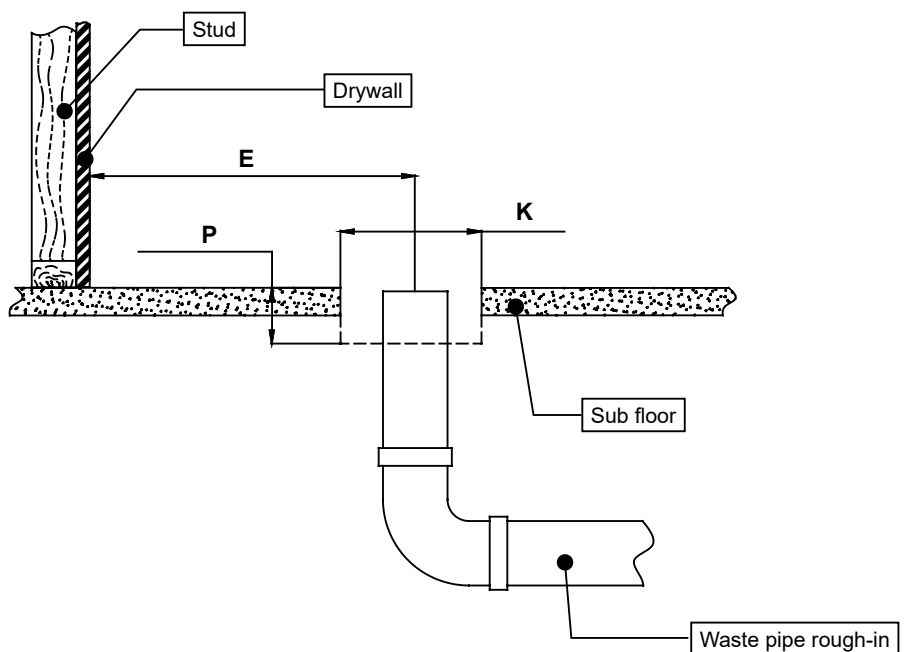


3.1. Ensure that the waste pipe plumbing is completed.

3.2. The shower drain is not supplied, these illustrations are for reference only. It is recommended that you review the drain installation from the manufacturer before continuing. Usually, the drain body must be sealed onto the waste pipe before continuing the base installation. Once the base installation is completed, the strainer body is screwed into the drain body. Apply silicone under the strainer body to reduce the risks of leakage.



	32"	34"	36"	38"
E	7 7/16" 189mm	7 1/4" 184mm	12 3/8" 314mm	11 5/8" 296mm
K	6" 152mm	6" 152mm	6" 152mm	6" 152mm
P	2 1/4" 57mm	2 1/4" 57mm	2 1/4" 57mm	2 1/4" 57mm



NOT SUPPLIED!
The shower drain and the waste pipe are not supplied.

4.1. Apply cement (1 in to 1 1/2 in [2.5 to 3.8cm] thick) within the traced contour of the shower base. This will help level the base in subsequent steps. The thickness of the cement layer varies depending on your floor.

4.2. Before setting the shower base onto the cement, it is recommended to cover the cement with a thin (2mm [1/16 in]) sheet of polyethylene. This will prevent the base from being permanently stuck to the cement, and allow for future adjustments if necessary.

4.3. Level the shower base.

NOT SUPPLIED!

The cement and the polyethylene sheet are not supplied.

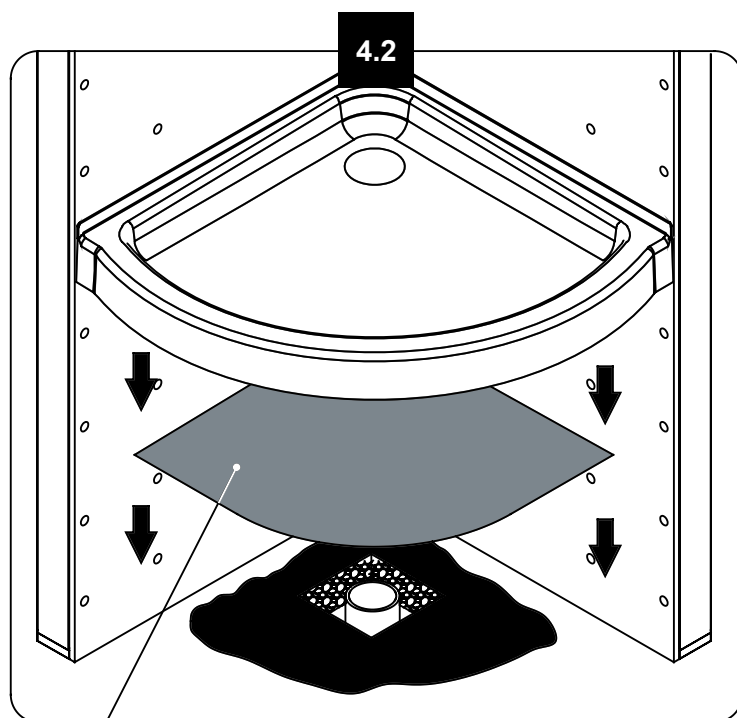
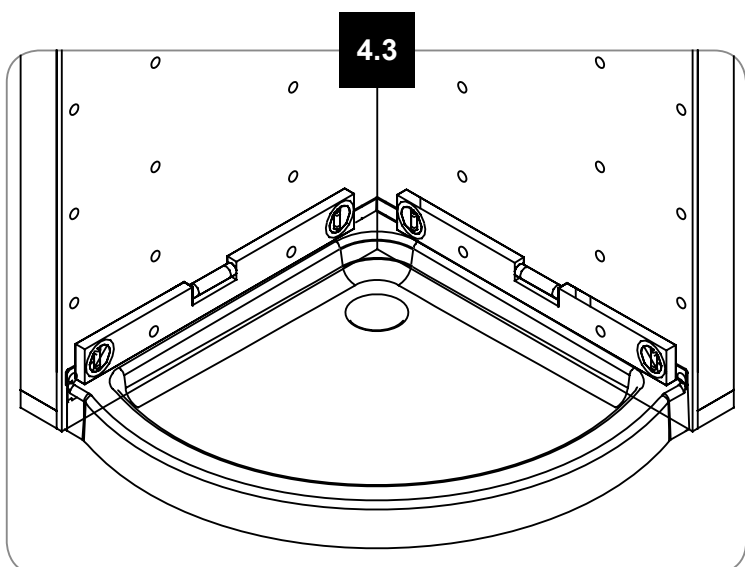
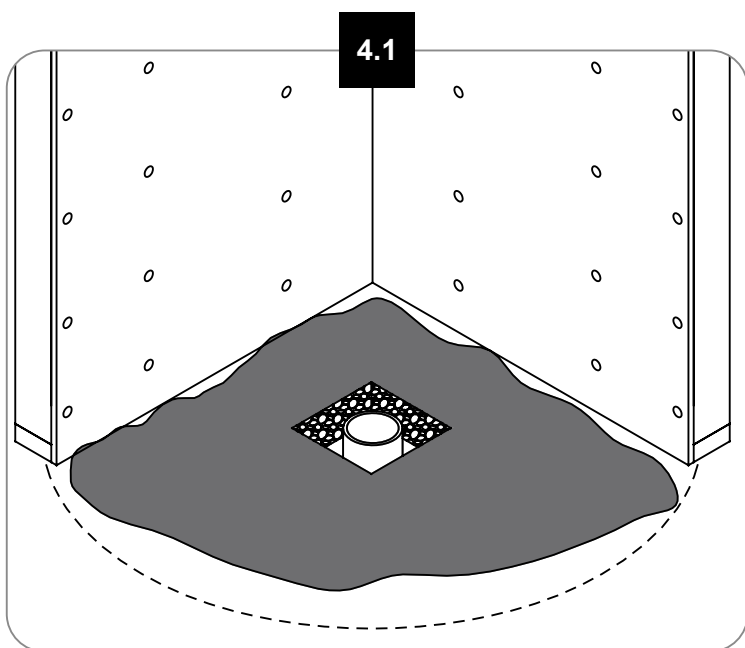
FAQ

Q: What thickness of cement must I apply?

A: Between 1" and 1 1/2" (2.5 to 3.8cm).

Q: Is the base installed on the studs or on the drywall?

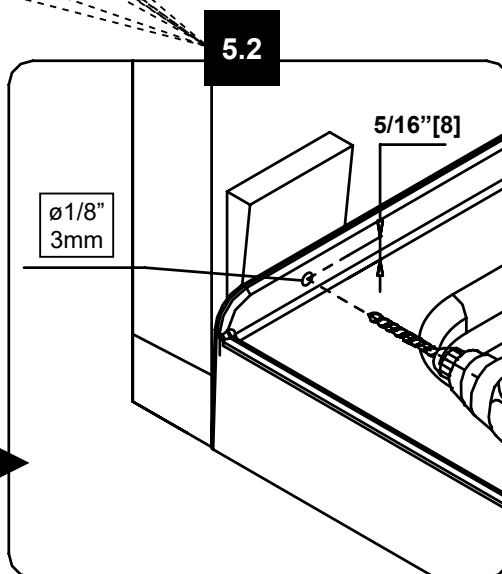
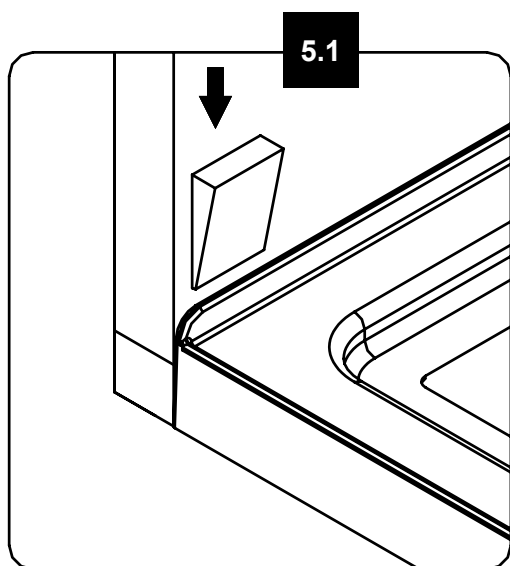
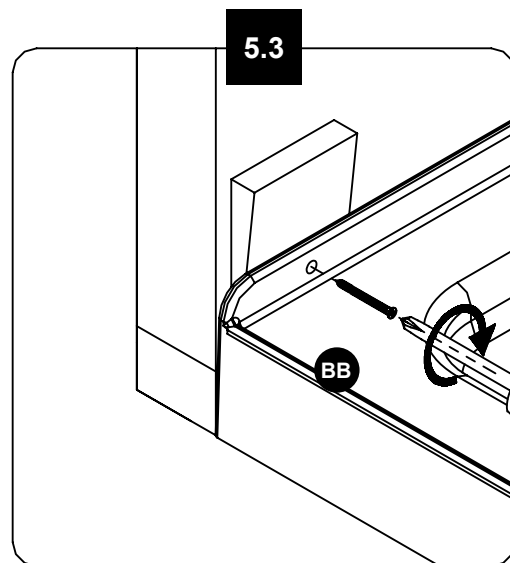
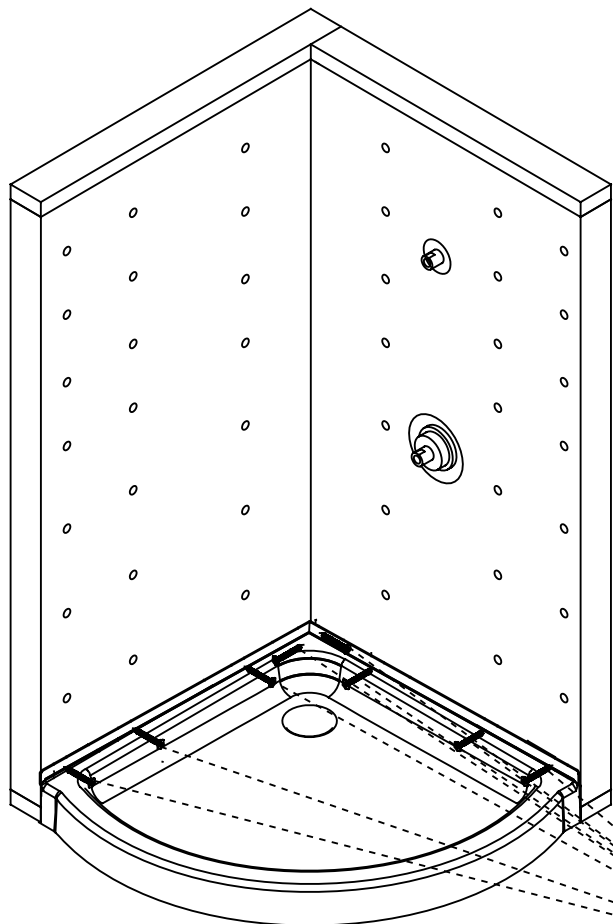
A: On the drywall.



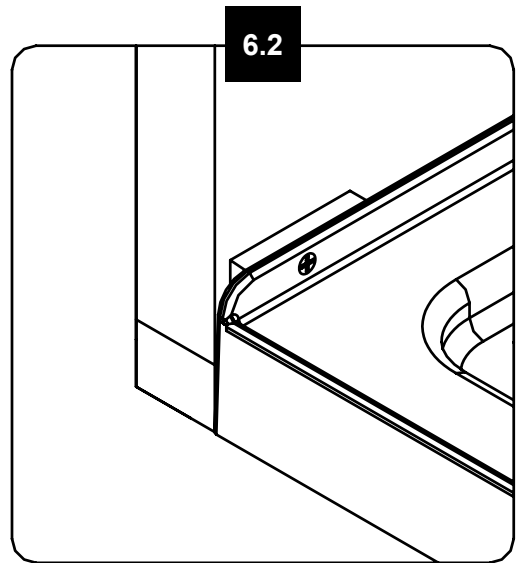
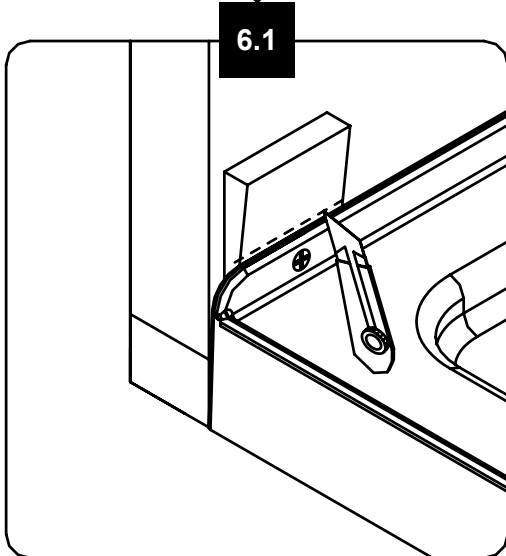
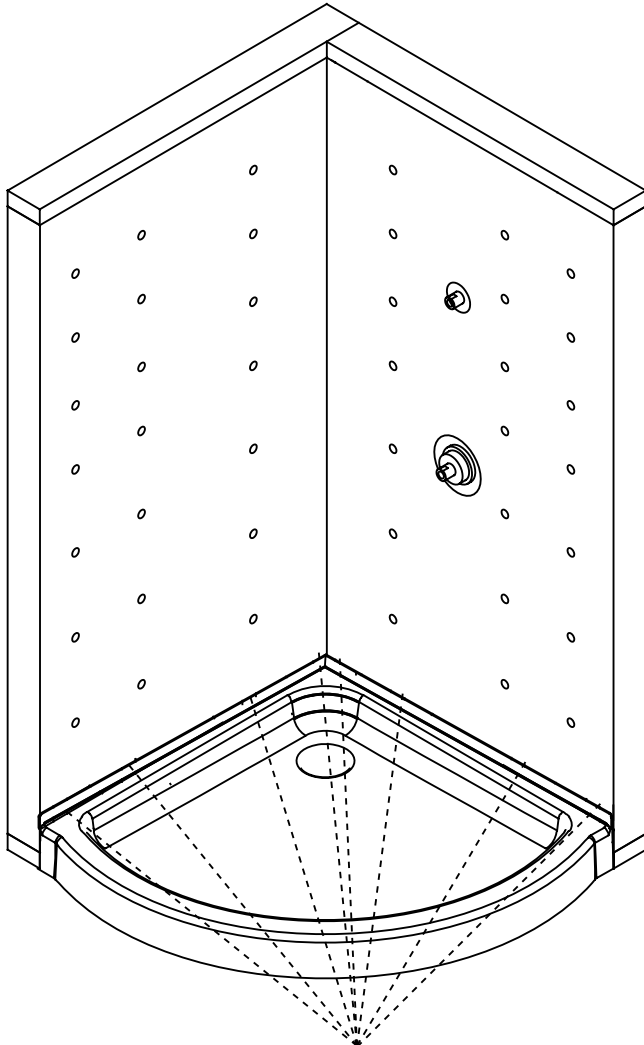
Polyethylene sheet 1/16" (2mm) thick

5.1. The shower base flange is slightly slopped by design. At the locations where you will screw the shower base to the studs, it is recommended that you use wood shims to fill the gap between the base flange and the studs.

5.2-5.3. Drill guide holes, and fix the shower base by screwing it to the studs. It is recommended that you screw 1 screw per stud, and aim for the center of the stud.



- 6.1. Cut the protruding part of the wood shims.
6.2. Let the cement dry for 24 hours before continuing.



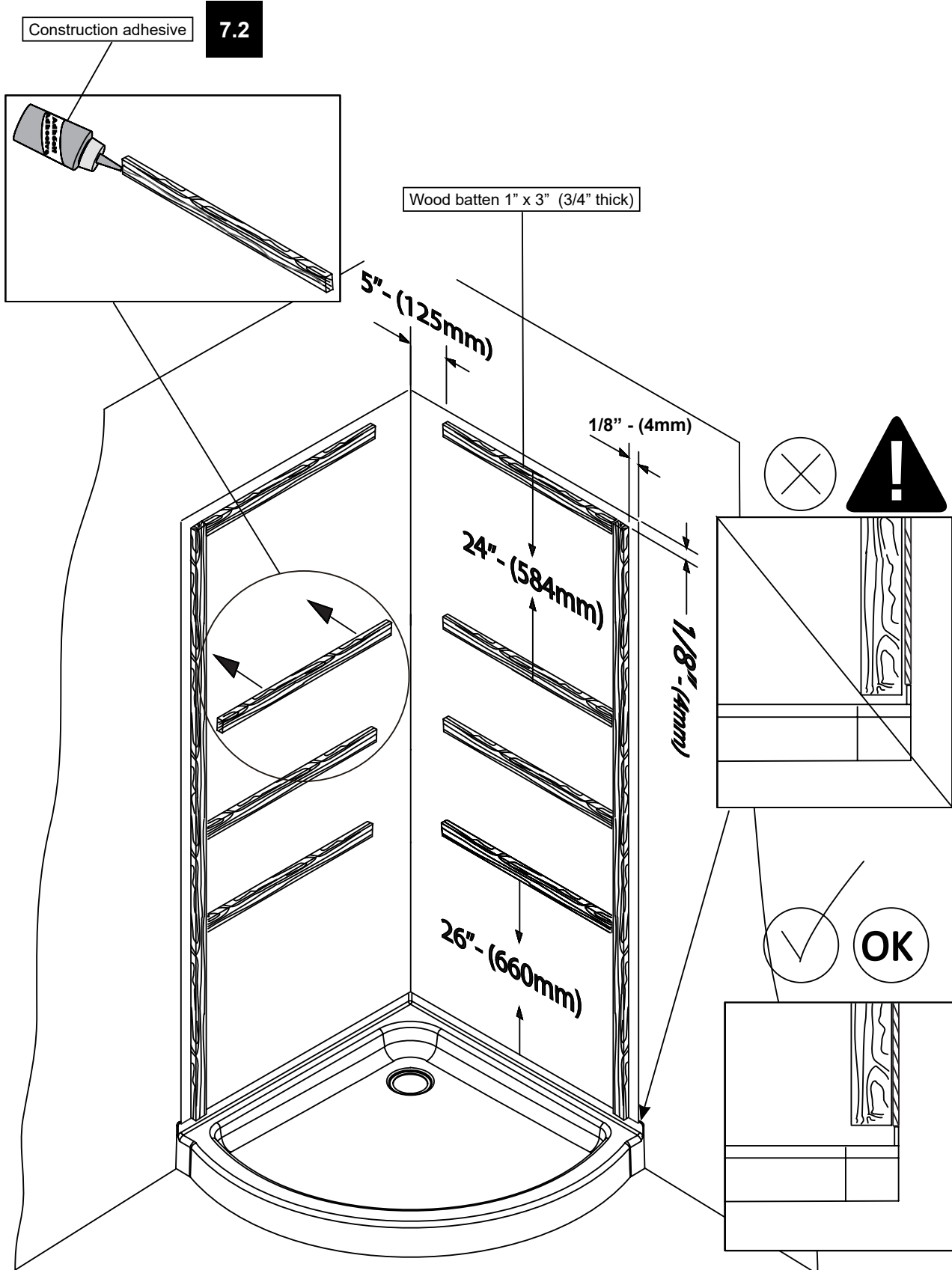
ACRYLIC WALL PANELS INSTALLATION

B

7

7.1 Prepare 1x3 wood batten following the design based on the shower base size.

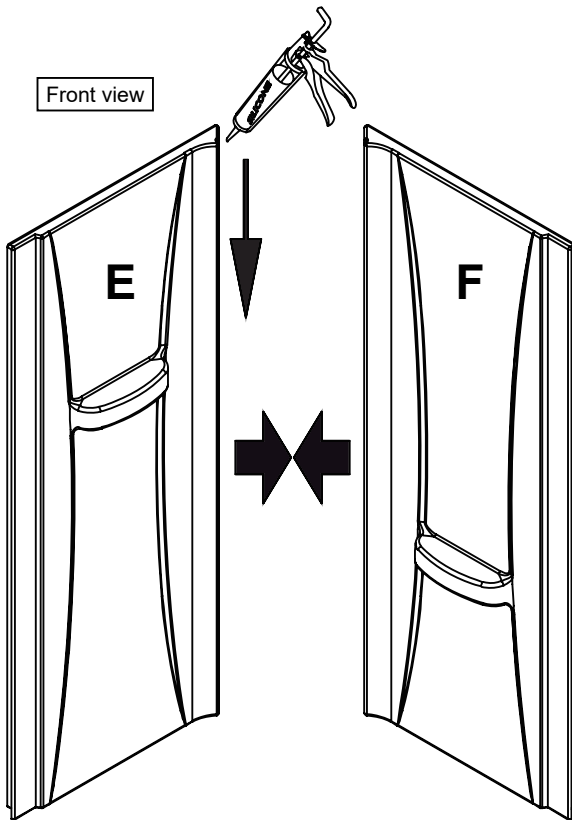
7.2 Install the wood batten as illustrated using construction adhesive; alternatively, using construction screws or nails to install the wood battens. Make sure the vertical piece is seating on top of the shower flange level.



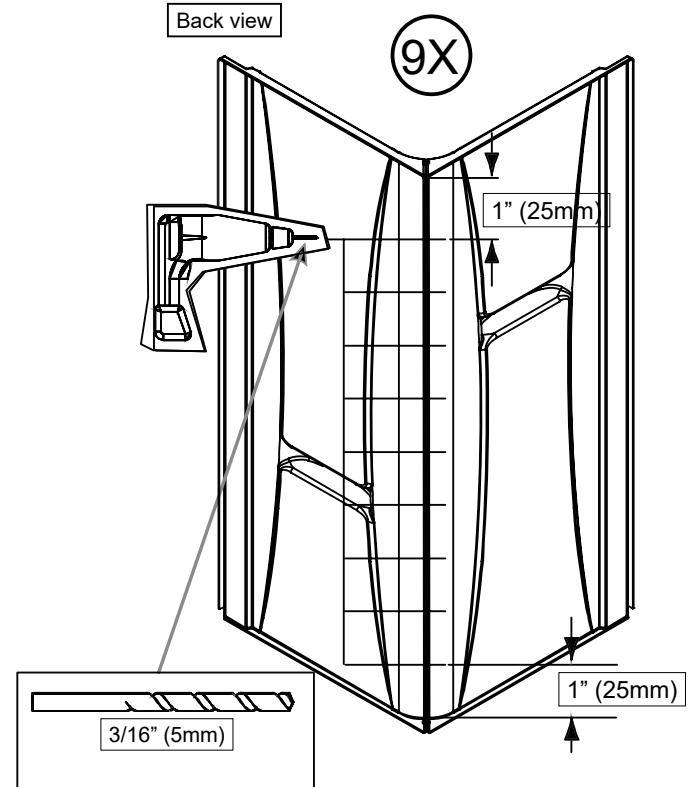
8.1 Apply a silicone bead along the groove of the left wall panel.

8.2 Behind the wall panels, leaving a 1" (25mm) clearance from the top and the bottom of the wall panels, drill 9 equidistant holes using a 3/16" (5mm) drill bit to join the two walls panels.

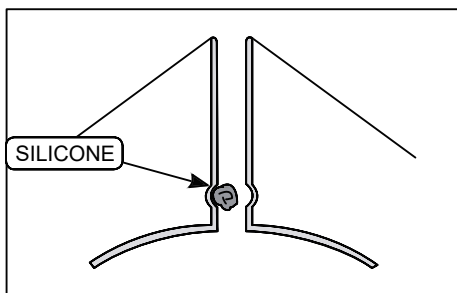
8.1



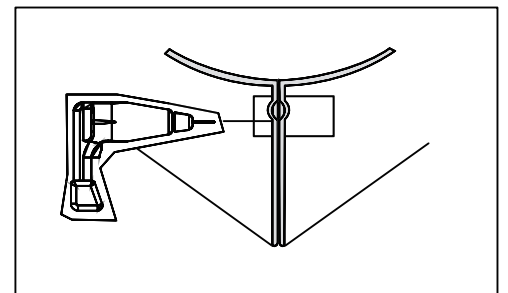
8.2



Top view



Top view



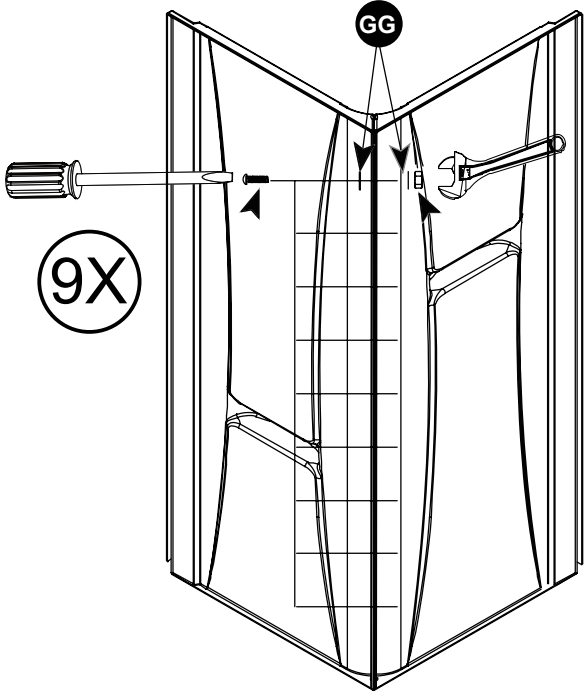
ACRYLIC WALL PANELS INSTALLATION

B 9

9.1. Tightly screw the wall panels together with the bolts, washers, and nuts (GG).

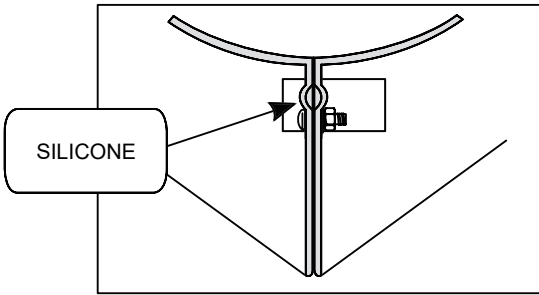
9.2. Firmly push the wall panels (E & F) onto the drywalls and wood batten support. Ensure that the wall panels are flush with the shower base edge. Apply silicone around the acrylic shower wall edges.

9.1



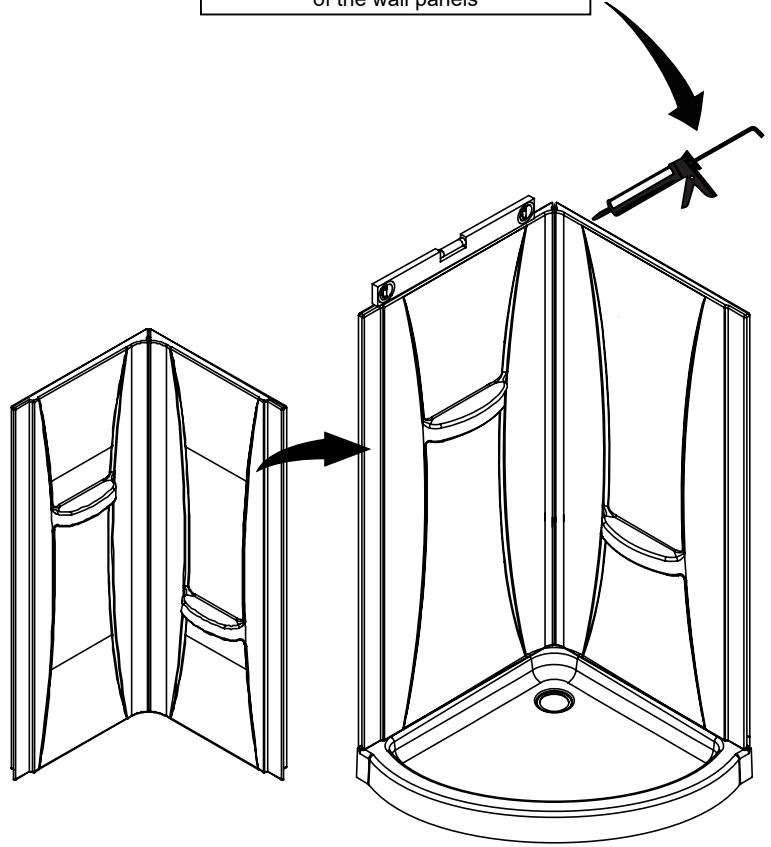
9X

Top view



9.2

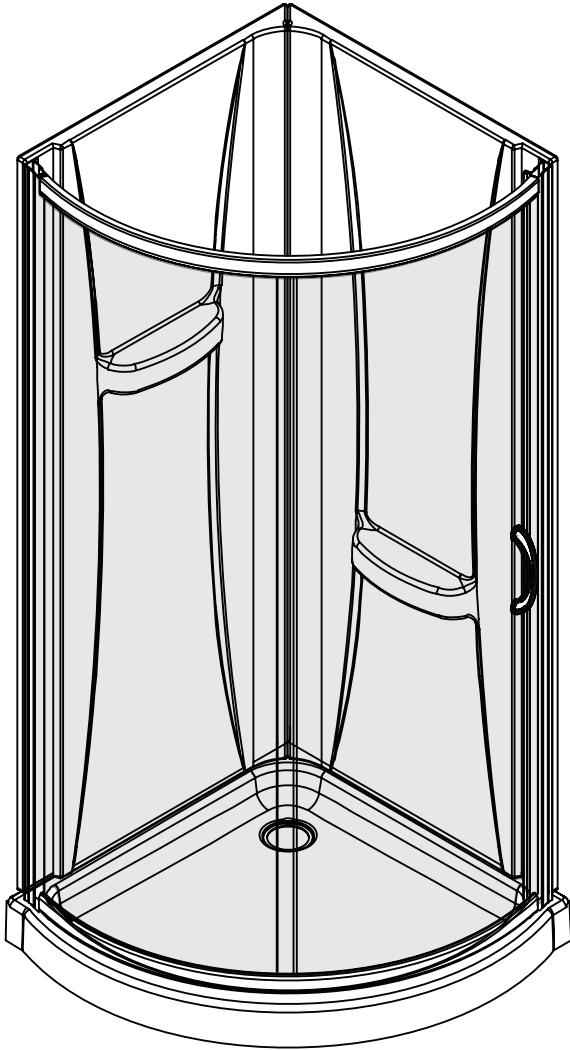
HELPFUL HINT!
Add silicone on the top and side edges of the wall panels



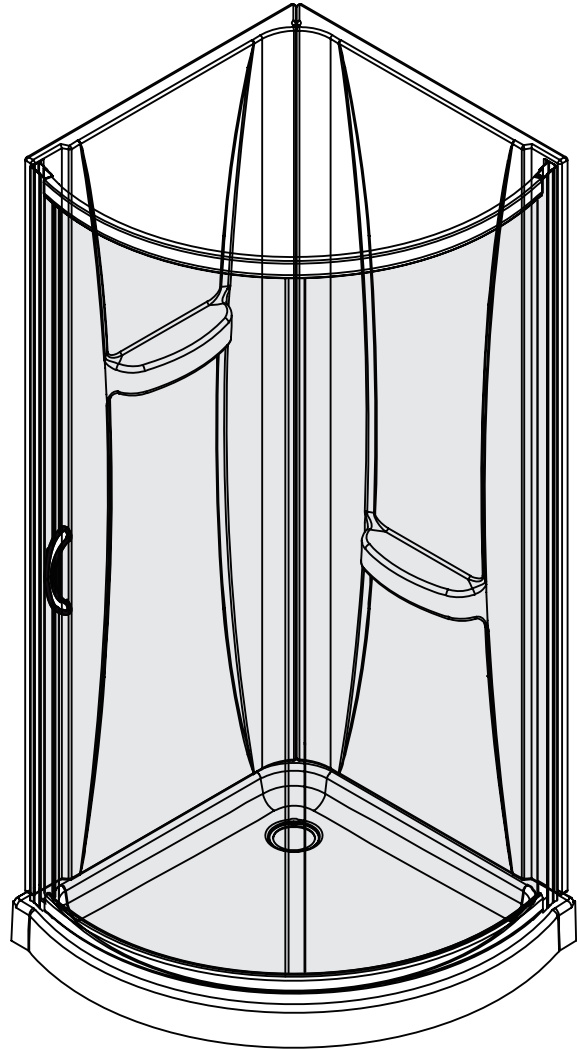
SHOWER DOOR INSTALLATION OVERVIEW



In this installation the acrylic wall panel (Option B) figure is only used for the installation reference



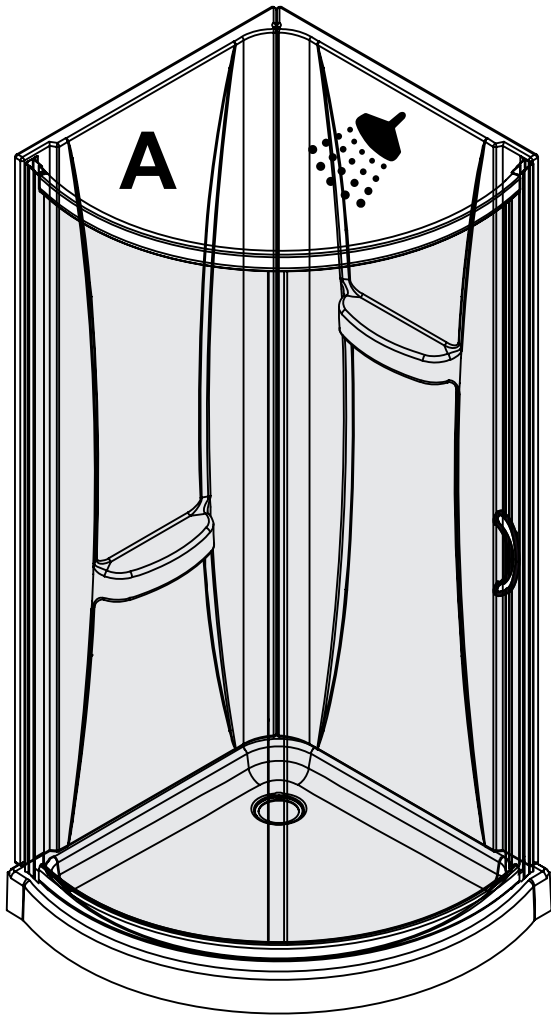
SHOWER DOOR INSTALLATION
FIXED PANEL ON THE LEFT HAND SIDE



SHOWER DOOR INSTALLATION
FIXED PANEL ON THE RIGHT HAND SIDE

PREPARATION

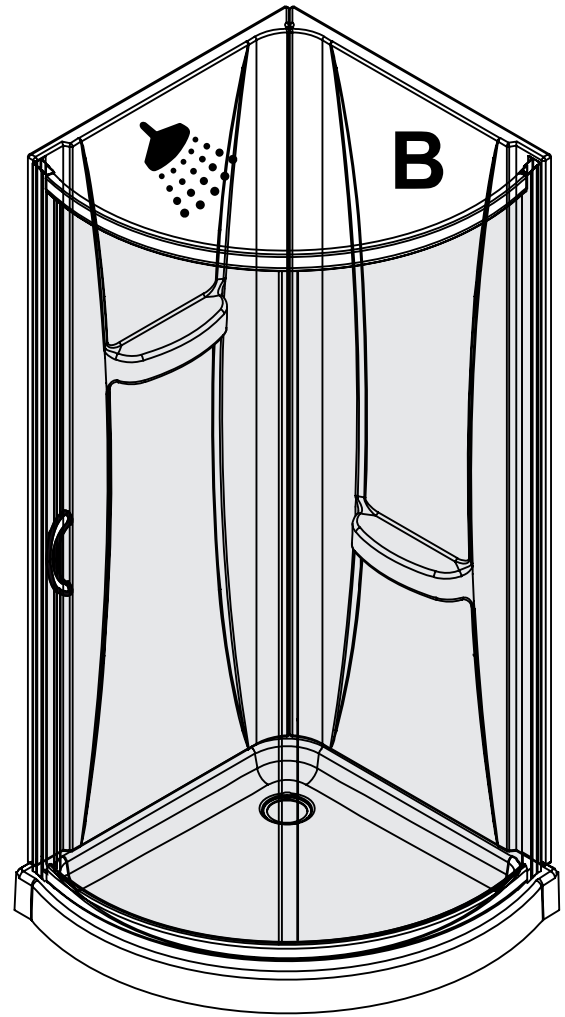
This instruction is drawn up for a door opening from right to left (**see illustration A**).
For an installation for a door opening from left to right (**see illustration B**), use the same instructions, but switch
around the panels: mirror effect.



FAQ

Q: If the shower head is installed on the other wall, will it leak?

A: It is possible to install your shower head on the other side, but we strongly recommend to install it as illustrated.

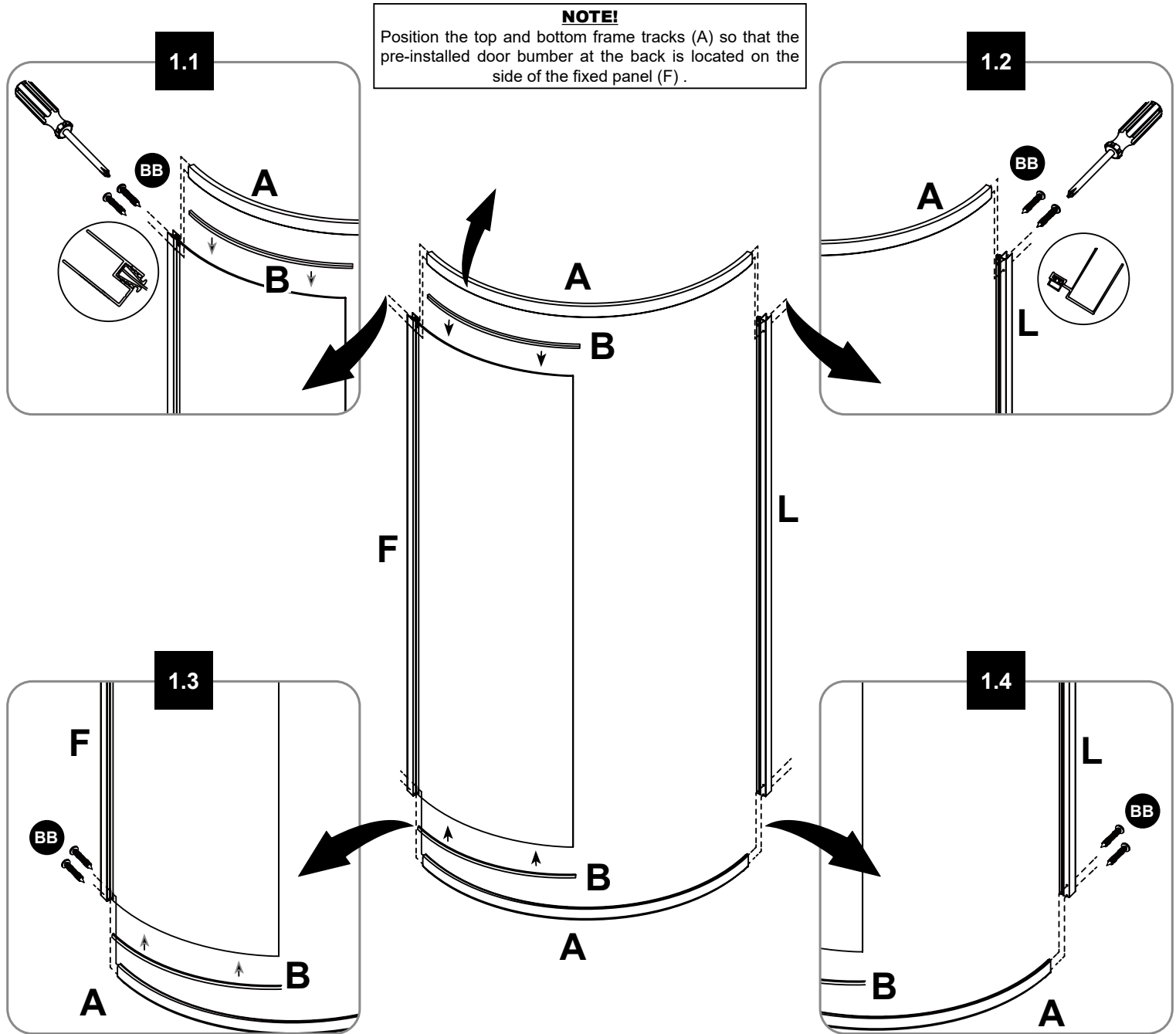


Install the shower head on the door's side as shown in the illustration! This will reduce the risk of leaking.

1

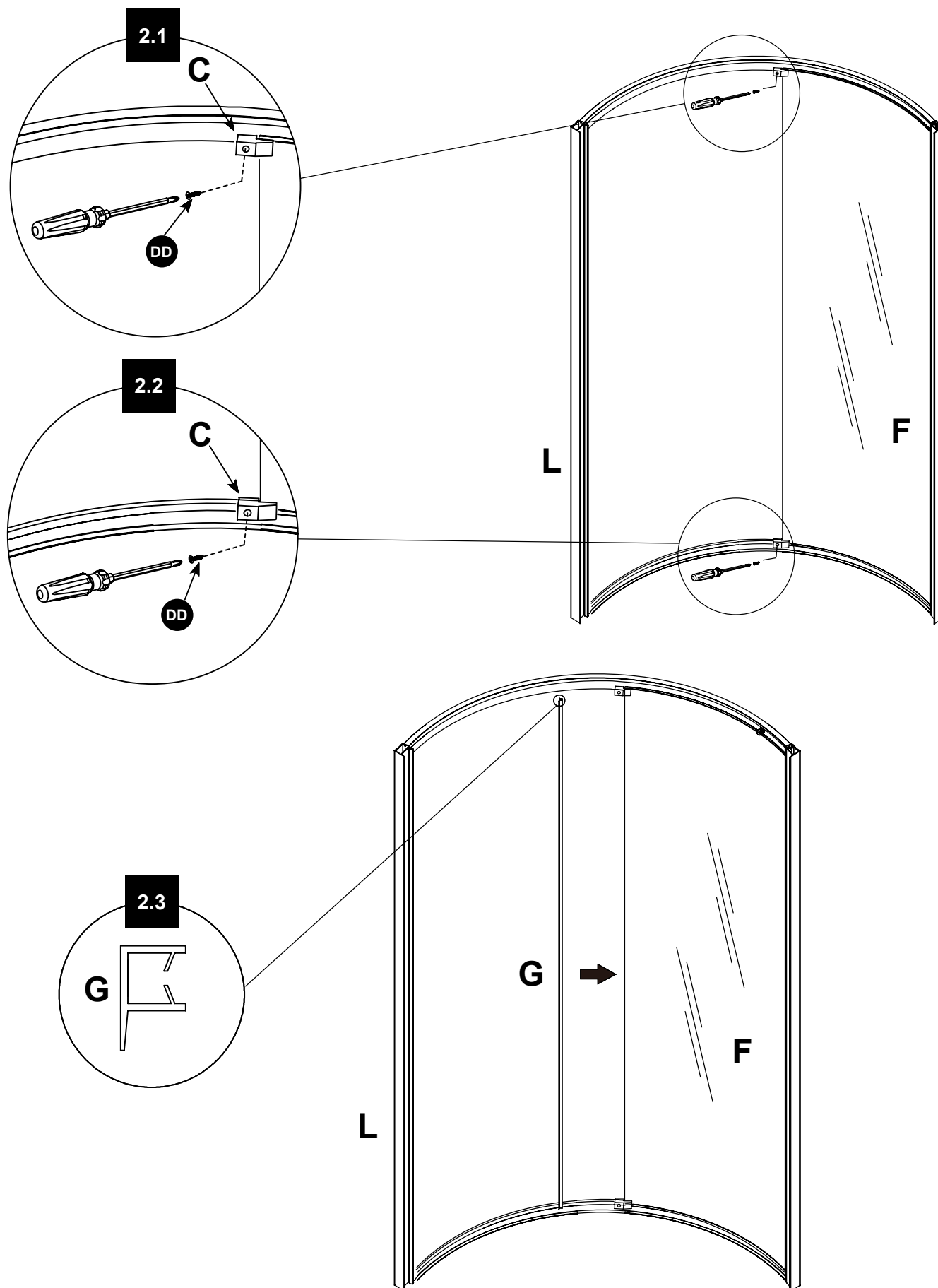
FRAME INSTALLATION

- 1.1. Insert the fixed panel seal strip (B) on top of the fixed panel (F). Screw the top left side of fixed panel (F) to the frame track (A) using screws (BB).
- 1.2. Screw the top right side of the door track (L) to the frame track (A) using screws (BB).
- 1.3. Insert the fixed panel seal strip (B) on bottom of the fixed panel (F). Screw the bottom left side of fixed panel (F) to the frame track (A) using screws (BB).
- 1.4. Screw the bottom right side of the door track (L) to the frame track (A) using screws (BB).



2.1-2.2. Secure the fixed panel (J) to the frame by using the clamps (C). Attach the clamps (C) using the screws (DD).

2.3. Insert the fixed panel seal strip (G) onto the fixed panel (F).

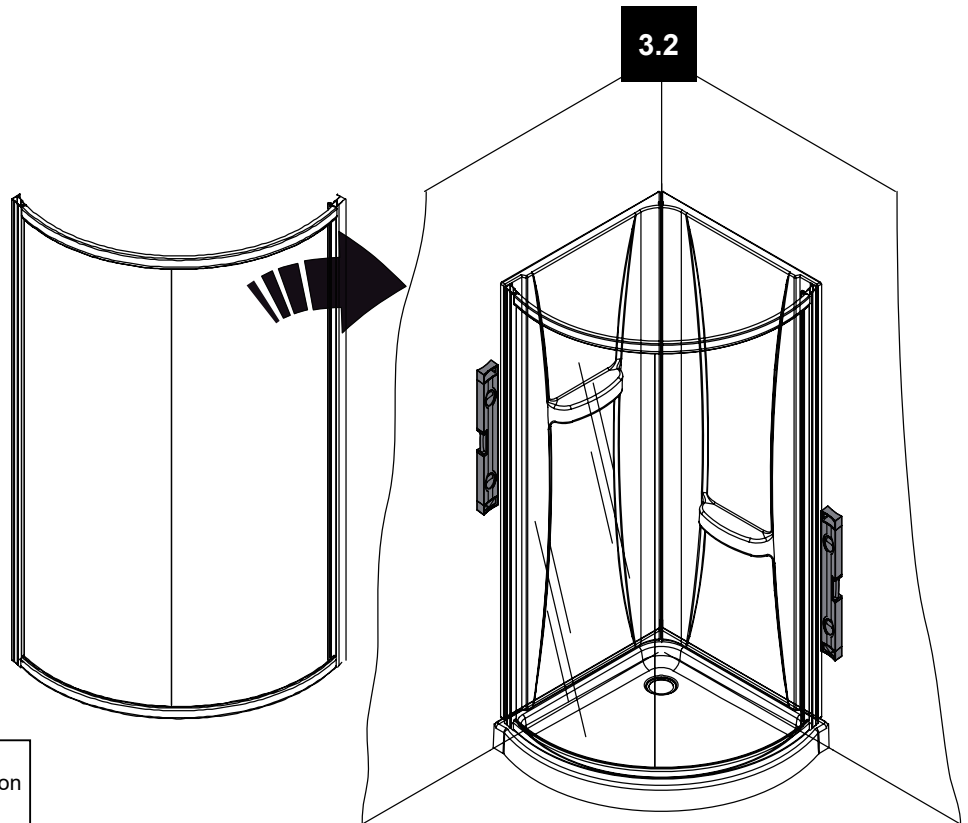
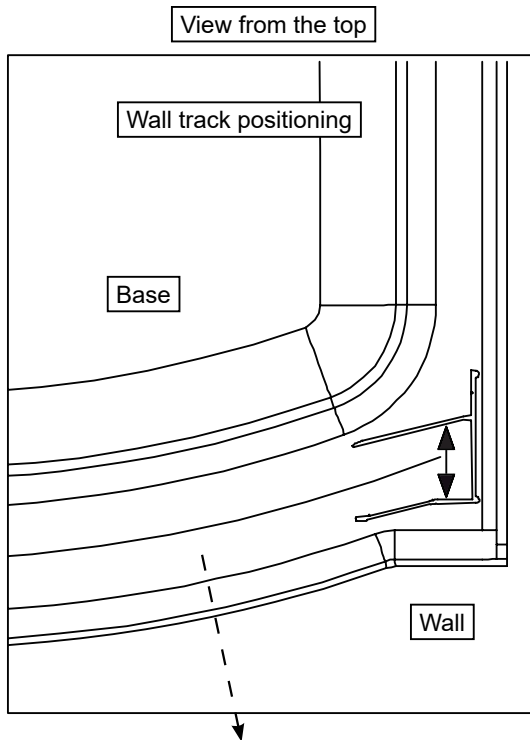
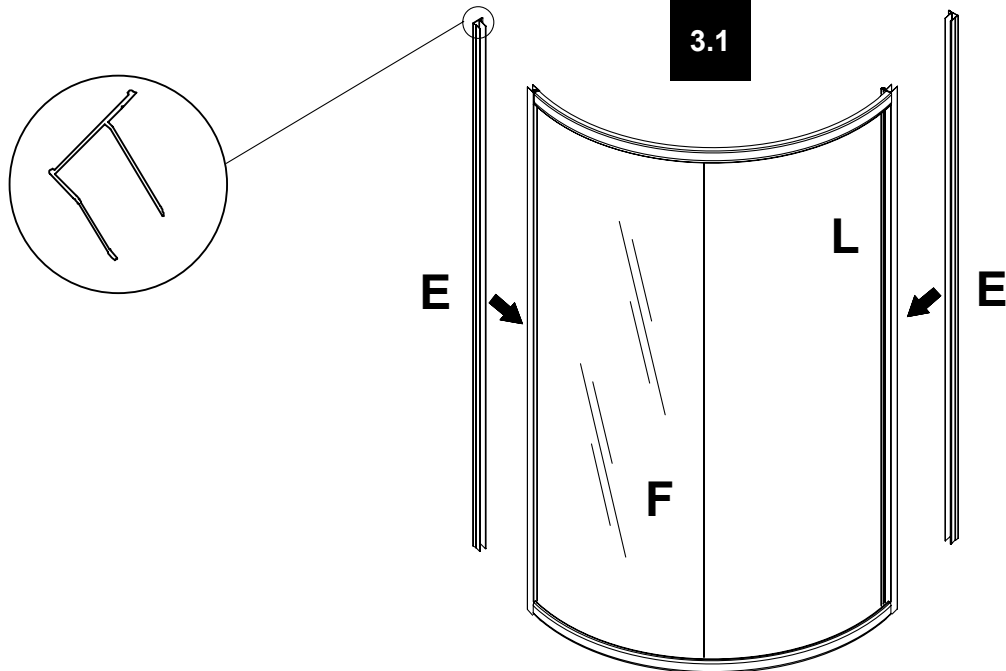


3

WALL TRACK AND SHOWER FRAME INSTALLATION

3.1. Insert the wall tracks (E) onto the sides of the assembled frame. Do not screw in the wall track at this step.

3.2. Take the assembled shower frame and gently put it onto the installed shower base. Ensure that all leveled. Position the frame such as the center of the wall track will be located on the center line of the shower base, as illustrated below.



WARNING!

The center of the wall track as shown, must be located on the center of the shower base edge

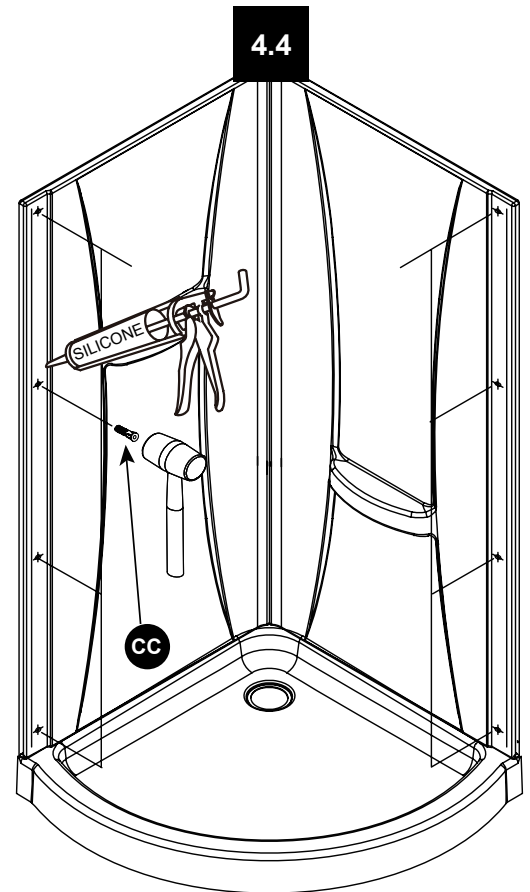
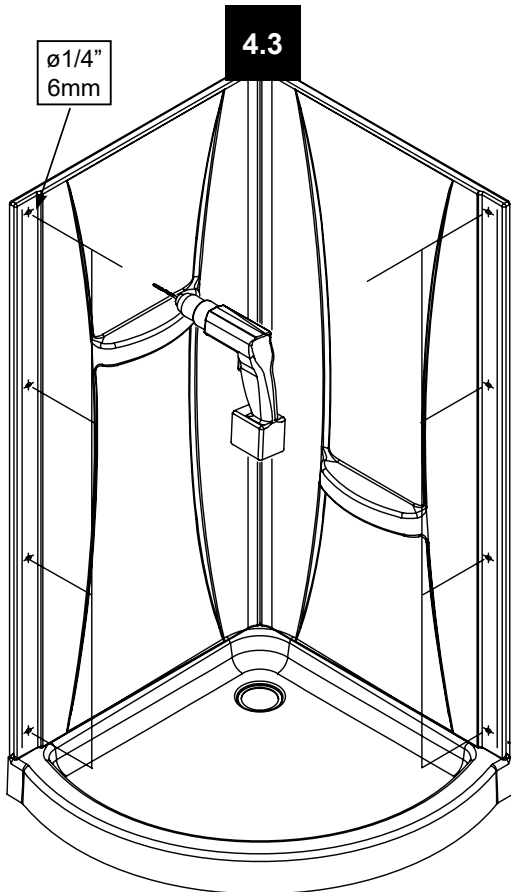
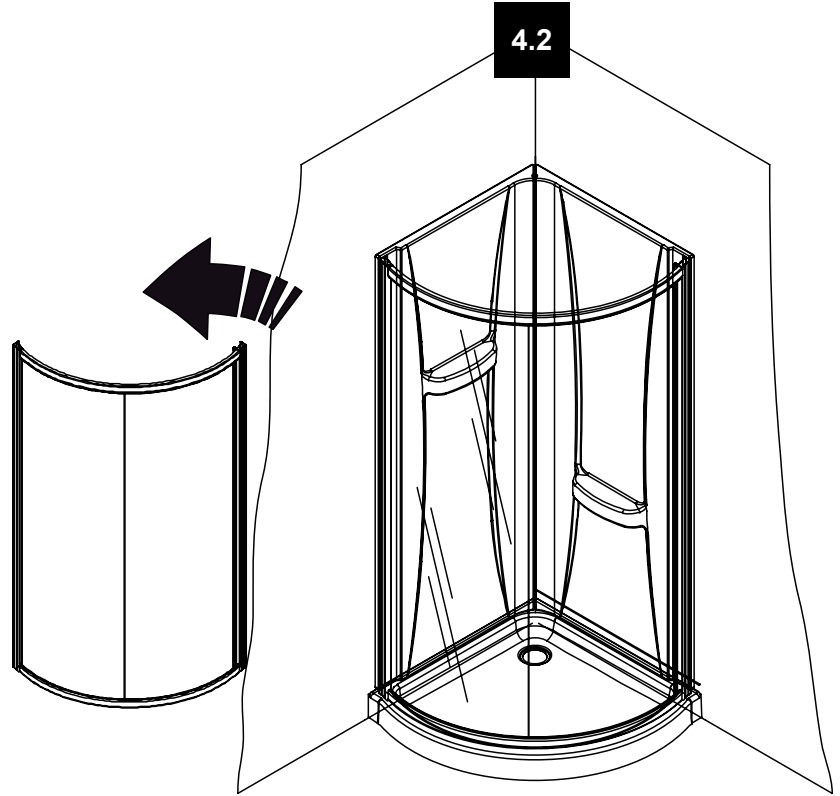
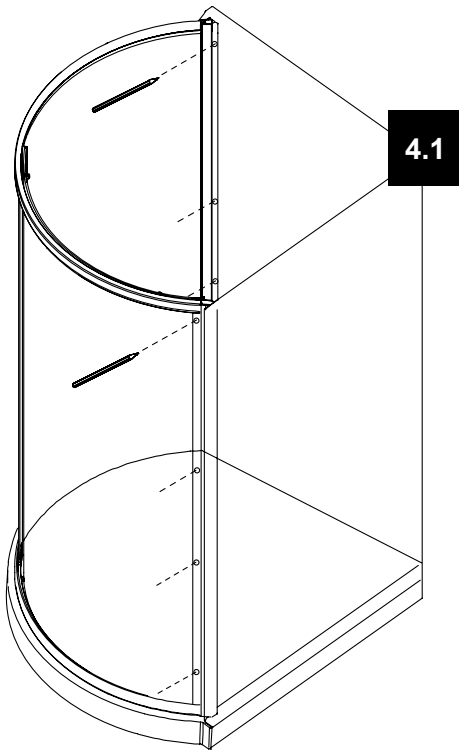
4

SHOWER FRAME INSTALLATION

4.1-4.2. Mark the pre-drilled holes of the wall tracks (E) onto the wall, and then remove the assembled shower frame from the base.

4.3. Using a $\text{\textcircled{1}}/4''$ (6mm) drill bit, drill guide holes at the marked location.

4.4. Insert the wall anchors (CC) using a rubber mallet until the wall anchors are flush with the wall.



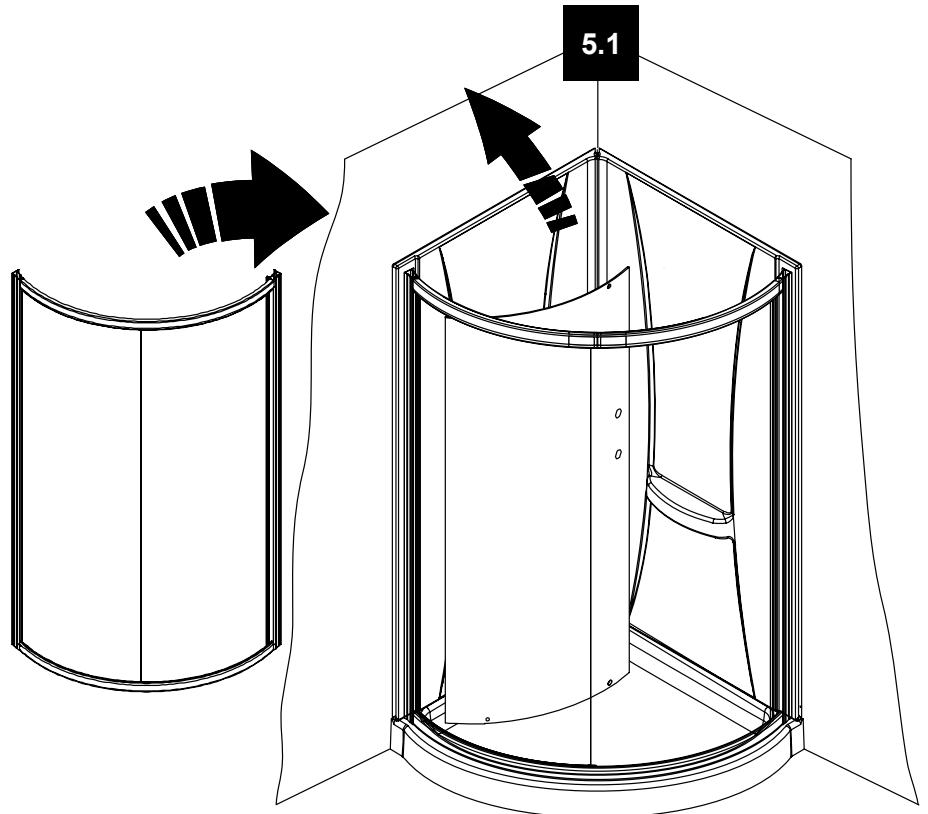
WARNING!
If there are no studs aligned to the wall track behind the drywall, use the wall anchors to ensure the screws won't become loose.

5.1. Put the assembled shower frame back onto the base.

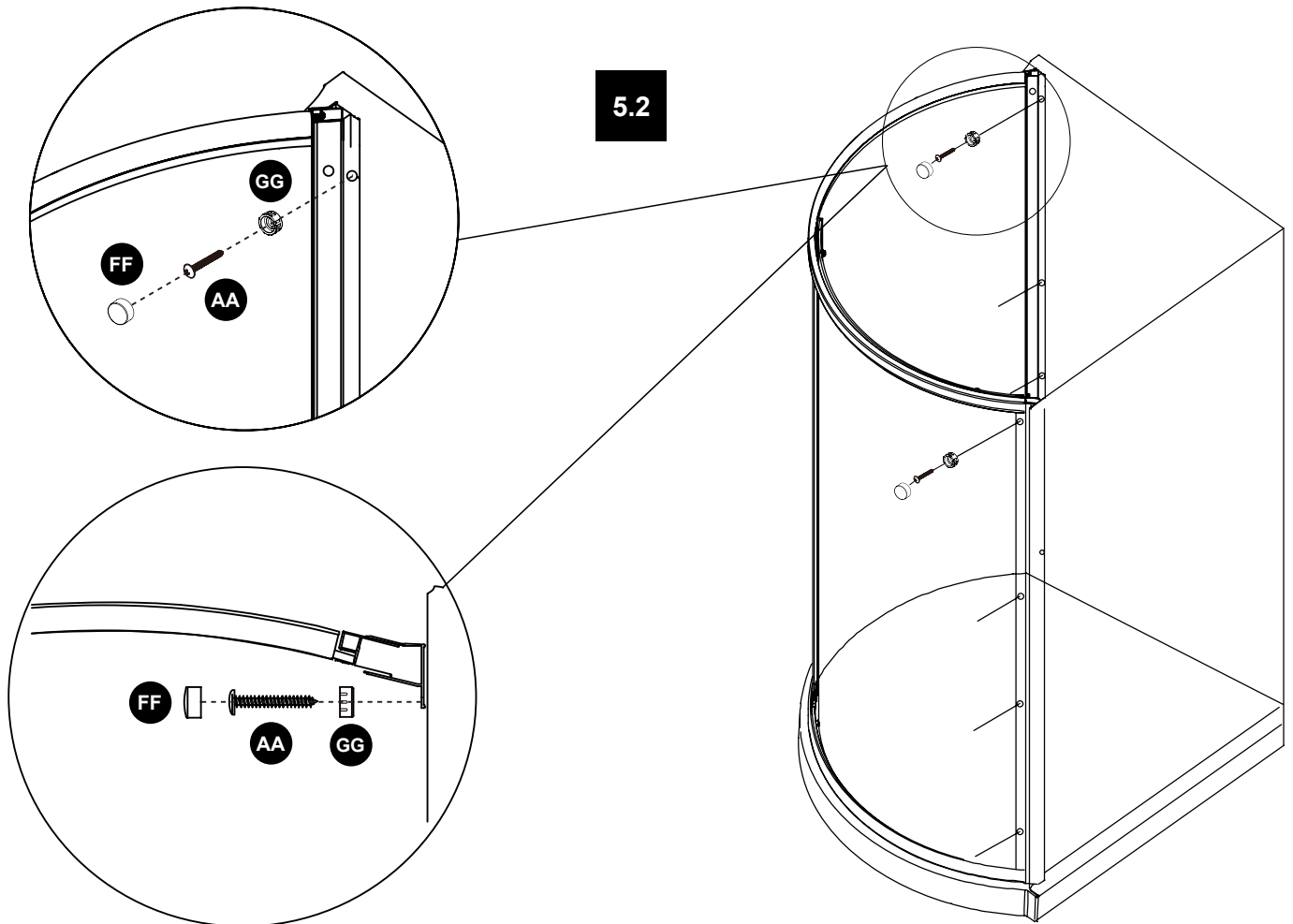
5.2. Secure the wall tracks (E) using the washers (GG), screws (AA), and covers (FF).

HELPFUL HINT!

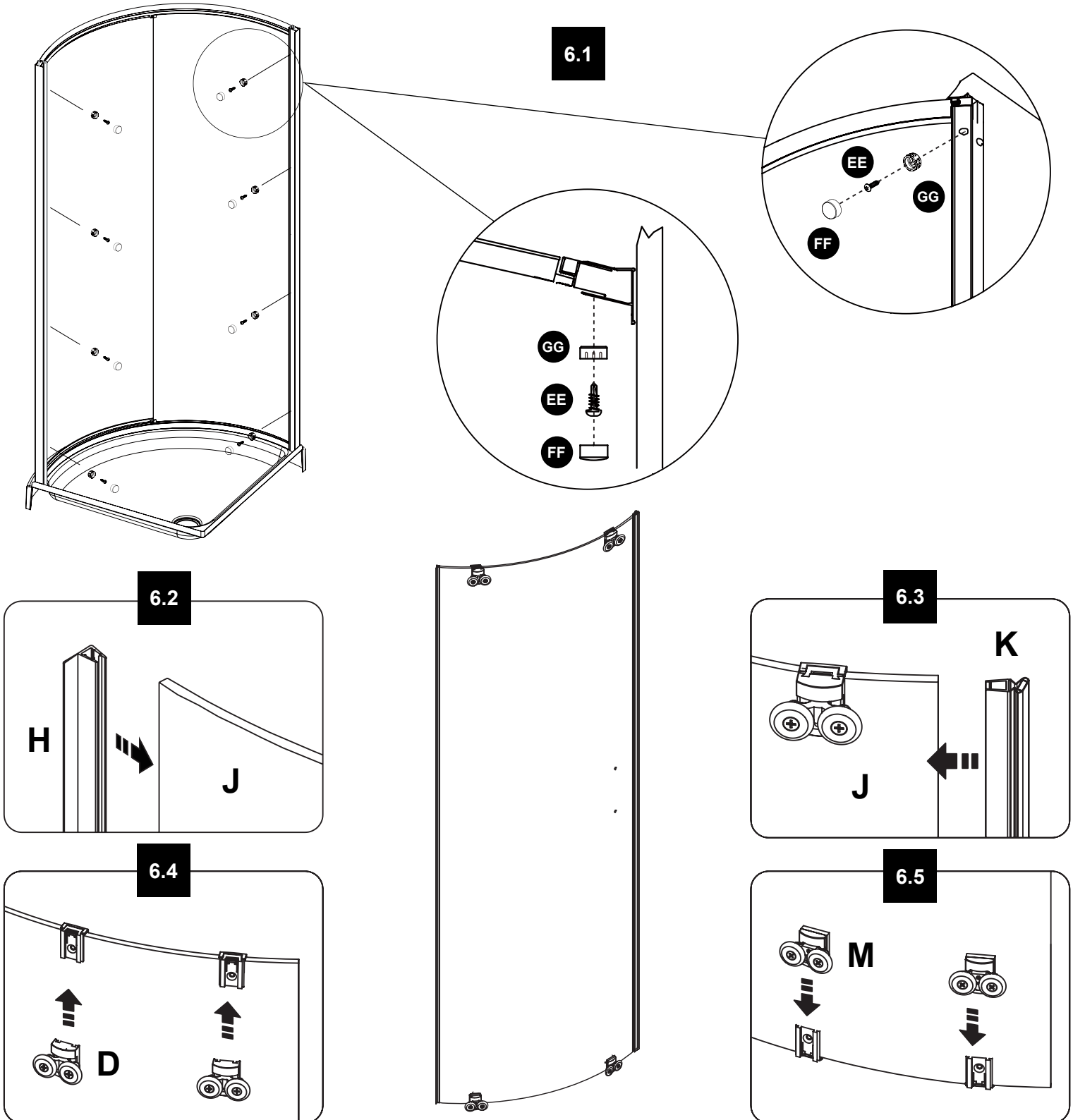
Before installing the frame, you may insert the door panel in the shower base to facilitate future steps.



5.2

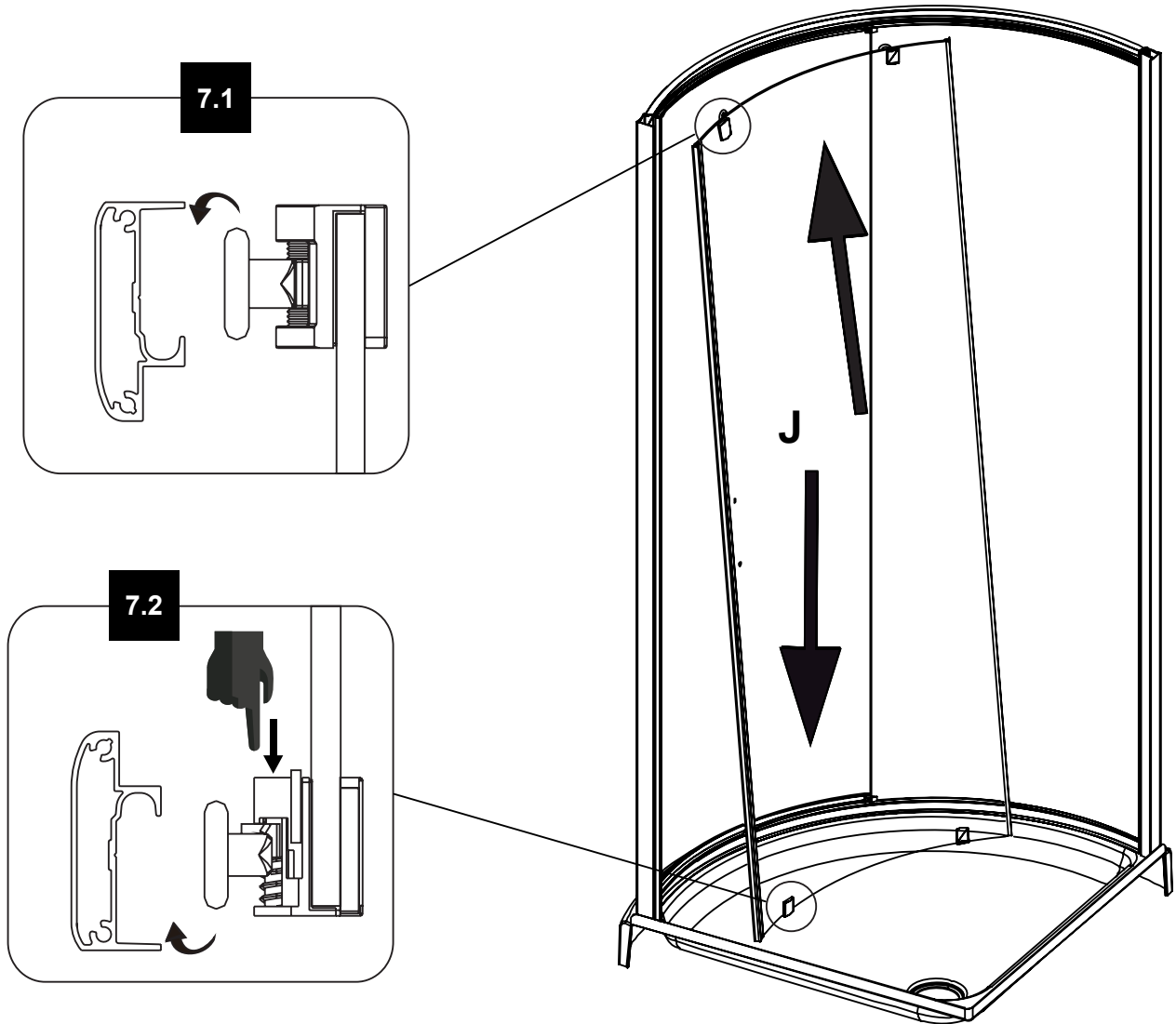


- 6.1. Secure the shower frame to the wall tracks (E) using washers (GG), screws (EE), and caps (FF).
- 6.2. Insert the door panel seal strip (H) on the left side of the door (J).
- 6.3. Insert the magnetic seal strip (K) on the closing end of the door (J).
- 6.4. Insert the top door wheels (D) into the wheel holders.
- 6.5. Insert the bottom door wheels (M) into the wheel holders.



7.1. Gently and carefully hang the door (J) by its top wheels (D).

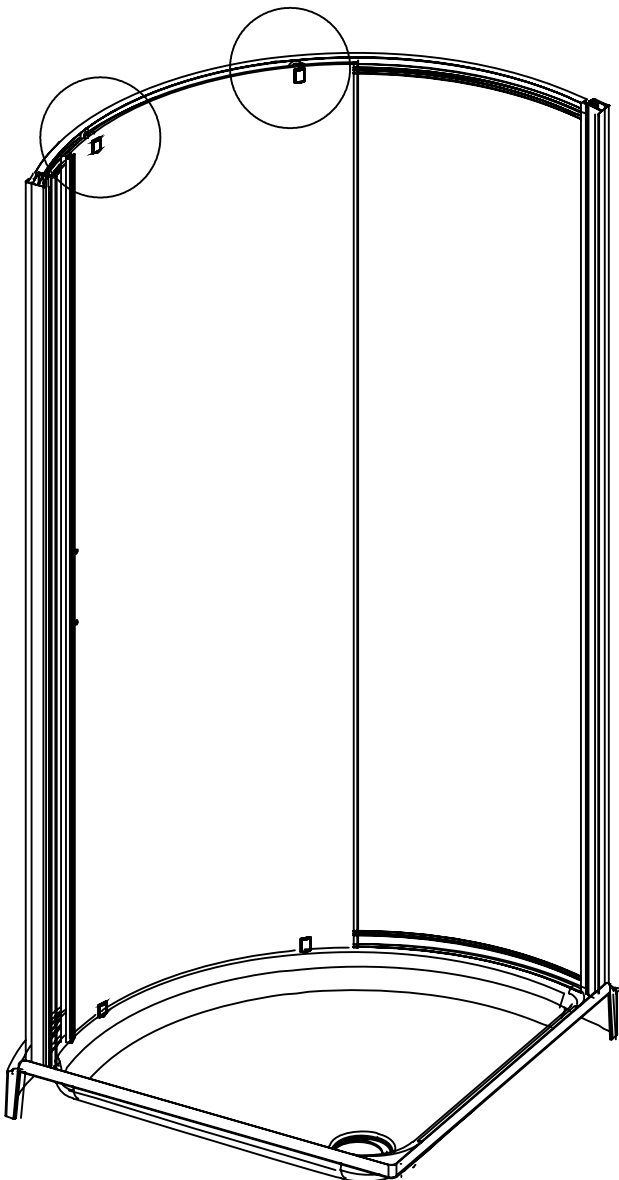
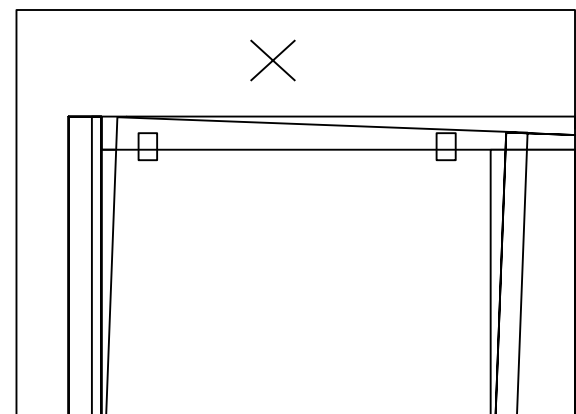
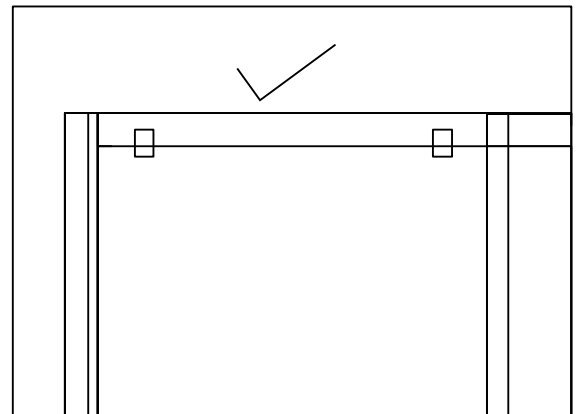
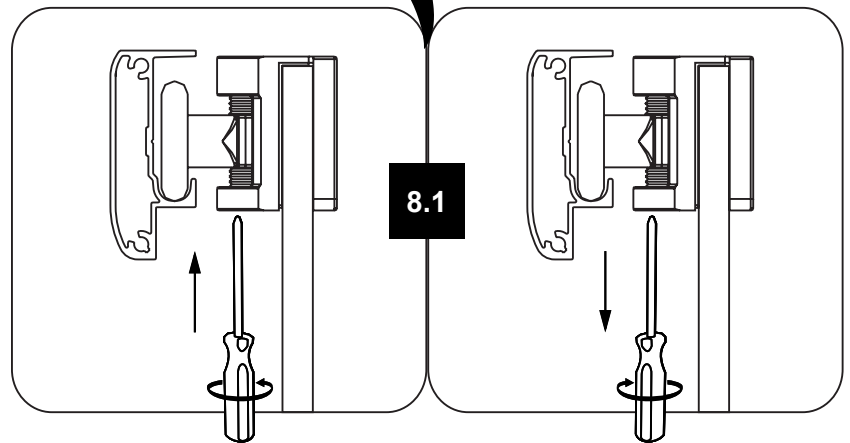
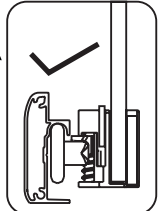
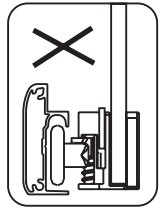
7.2. Secure the bottom wheels into the bottom frame track (A) by pushing down on the bottom wheel. A spring action will secure the bottom wheels into the frame track.



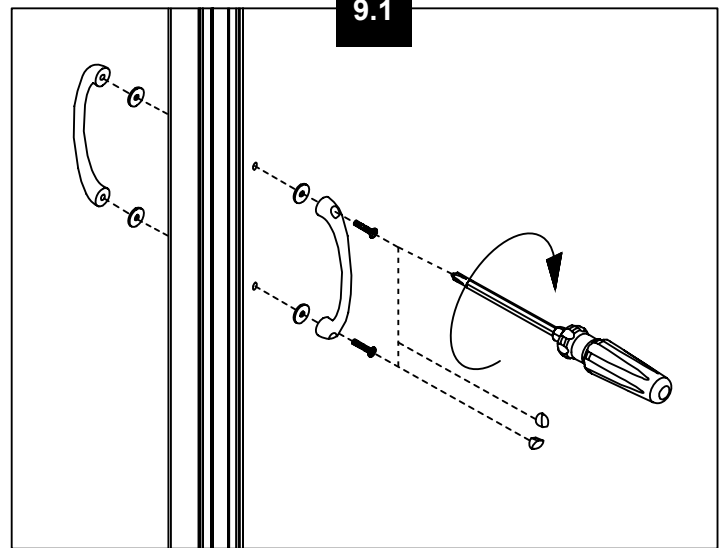
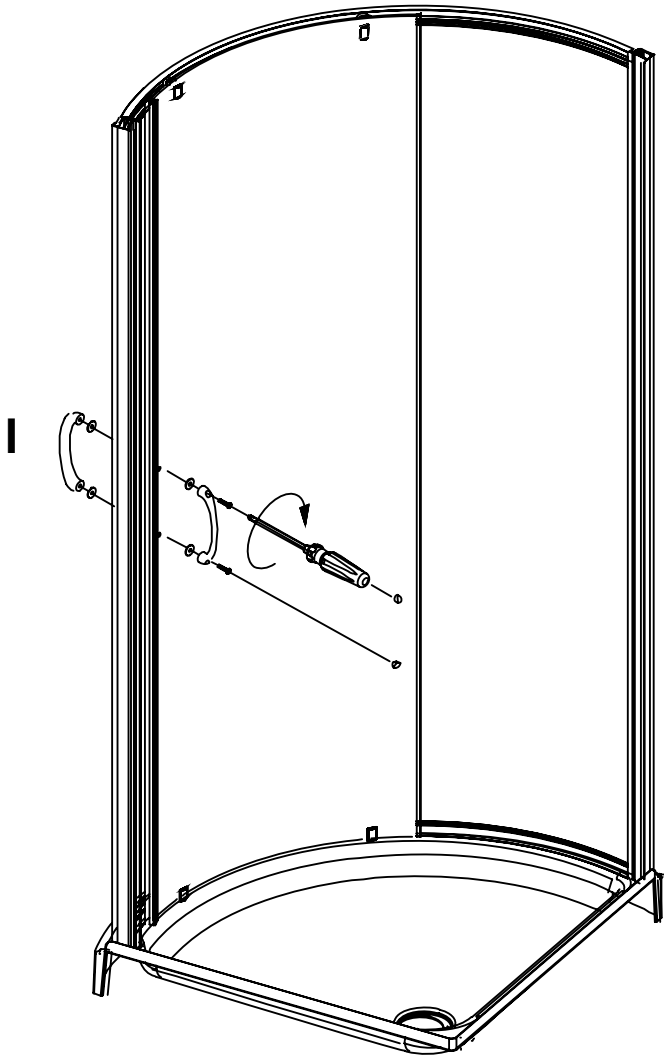
8.1. Ensure that the door closes well and that it is leveled. If an adjustment is needed, use a screwdriver to tighten or loosen the screw located under the top rollers to level the door adequately.

NOTE!

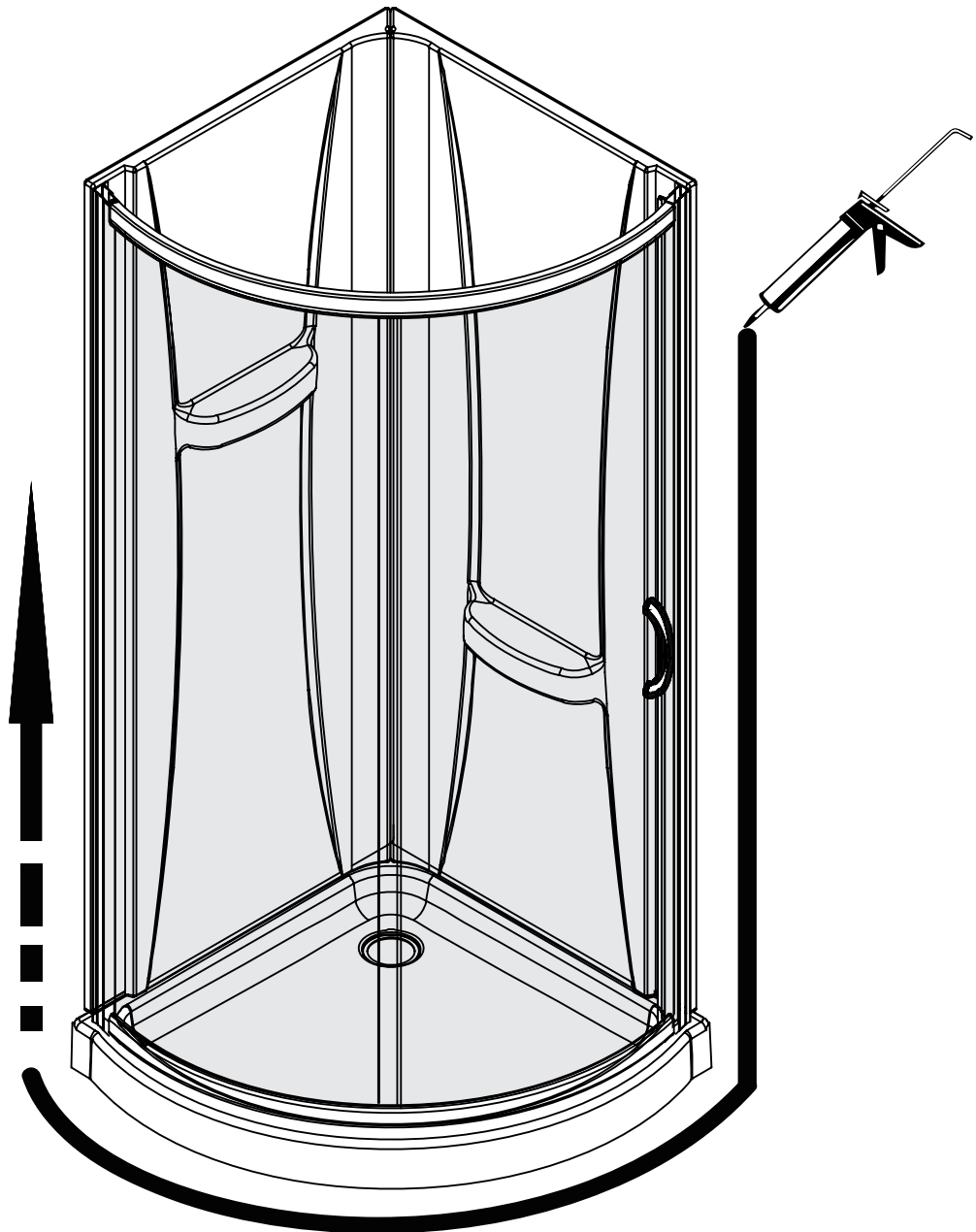
This wheel adjustment can be used to level the door in order yield a uniform and tight closed door seal. It is also used if the bottom wheels of the door come off their rail too easily, in which case tighten the screws of the top wheels counter-clockwise which will lift the door panel up and tighten the bottom wheels.



9.1. Install the handle (I).



Ensure that the door closes tightly and opens smoothly. Ensure that there is a firm connection between the fixed panel(s) and the support bar. Apply a clear silicone water sealant around the outside perimeter of any fixed shower components. Allow 24 hours for silicone to dry. Improper application of silicone sealant may cause your shower to leak.



MAINTENANCE AND CARE

For the daily maintenance, use a wet cloth and a soft liquid cleaner.

Never use abrasive cleaners containing some acetone, chlorine or strong bleach, scrapers, metallic brushes, nor other objects or the products which can graze or tarnish surfaces.

Use a ratchet to strongly tighten any bolts used to support the fixed glass panels or doors panel (support bolts can withstand up to 250 lbf*in of torque).

Check these bolts every 4 months and re-tighten them if necessary.

WARRANTY

LIMITED Product Warranty

The DISTRIBUTOR is a distributor of the following Products:

- Shower Doors (warranty period 5 years).
- Acrylic Surfaces (warranty period 5 years against blistering, cracking or chipping in the acrylic surface).
- Acrylic Shell Structure (warranty period 5 years against loss of water through fiberglass laminate of the acrylic body).
- Shower Hardware (handles, hinges, rubber support clips, metal support bars and wall tracks) (warranty period 1 year against defects in materials or workmanship).

Limited Warranty: The DISTRIBUTOR warrants to the original retail purchaser that within a reasonable time after notification from purchaser, The DISTRIBUTOR will repair or replace the Product, or any part or component of the covered Product, distributed by The DISTRIBUTOR which is proven to the satisfaction of The DISTRIBUTOR to be defective in workmanship or materials, and which has failed during normal use and within the warranty period. This Limited Warranty does not apply to Products that have been damaged, or which fail, as a result of causes other than manufacturing defects (such as but not limited to improper installation; lack of or improper care or maintenance; exposure to elements including corrosive products, environments or water; alteration; abuse or misuse). This warranty does not cover damage to finishes. The warranty commences on the first date a Product is purchased by the customer. This warranty applies exclusively to products purchased and used in non-commercial applications.

Warranty Claim Procedure: To make a claim please call The DISTRIBUTOR's helpline to trouble-shoot the issue and start the claim process. Products may be inspected or evaluated by The DISTRIBUTOR and any Product or component found to meet the above warranty criteria will be repaired or replaced at The DISTRIBUTOR's option. Replacement or repaired parts will be shipped at no cost to customer via ground freight only. Any expedited methods of shipments are customer's expense.

DISCLAIMER AND EXCLUSION OF WARRANTIES: This warranty is meant to be a complete and exclusive statement of the terms of all limited warranties offered by The DISTRIBUTOR.

To the fullest extent permitted by law, other than the express warranty set forth in this instrument there are NO WARRANTIES, EXPRESS OR IMPLIED, INCLUDING ANY IMPLIED WARRANTIES OF MERCHANTABILITY OR FITNESS FOR A PARTICULAR PURPOSE EXTENDED BY The DISTRIBUTOR.

This warranty gives you specific legal rights. You may also have rights, which may vary under applicable state, provinces, or national legislation, which cannot be disclaimed or modified by the above Disclaimer. Except as permitted, the Disclaimer is not intended to waive, modify, release or limit the applicability of preemptive state, province, or national legislation inconsistent with the terms of this Limited Warranty and Disclaimer. However, to the extent permitted by law, no implied warranties of merchantability or fitness are intended or extended hereunder. Notwithstanding the Disclaimer if any implied warranty is imposed by operation of law, to the extent permitted, the duration of such implied warranties is limited to the shorter of the term of the express warranty or the applicable statute of limitations.

The Products listed above are intended to be installed and used for personal, consumer residential use. Use of Products for any other purpose such as commercial purposes voids this warranty. The Limited Warranty is applicable only to the Products listed herein, and no warranty is extended to products not distributed by The DISTRIBUTOR. The warranty is applicable only to the first retail purchaser.

Transferability: This warranty is not transferable.

LIMITATION AND EXCLUSION OF REMEDIES AND DAMAGES: The DISTRIBUTOR's sole responsibility under this Limited Warranty shall be to repair or replace, at its option, any defective Product or component. Purchaser agrees that this is the sole and exclusive remedy under this Limited Warranty. The DISTRIBUTOR will not be responsible for any incidental, consequential, special or indirect damages, including loss of use as a result of any manufacturing defect in a Product. The DISTRIBUTOR will not be responsible for labor, or any other fees associated with removal or installation of warranted parts. Some states, provinces, or national legislation do not allow the exclusion or limitation of incidental or consequential damages, so this limitation may not apply to you.

Product modification: The DISTRIBUTOR reserves the right to change, modify or improve the Products without obligation to incorporate such changes in Products previously sold or installed.

Authority and Modification: The retail seller is not the agent of The DISTRIBUTOR and is not authorized to vary or modify the terms of the Limited Warranty. In addition, the retail seller cannot bind The DISTRIBUTOR or make any representations or promises about the Product that are binding on The DISTRIBUTOR.



Questions, problems, need help?
Call our customer service department at
1-866-839-2888, 8 a.m. - 5 p.m., EST, Monday - Friday

COMMENCER PAR CE MANUEL D'INSTALLATION

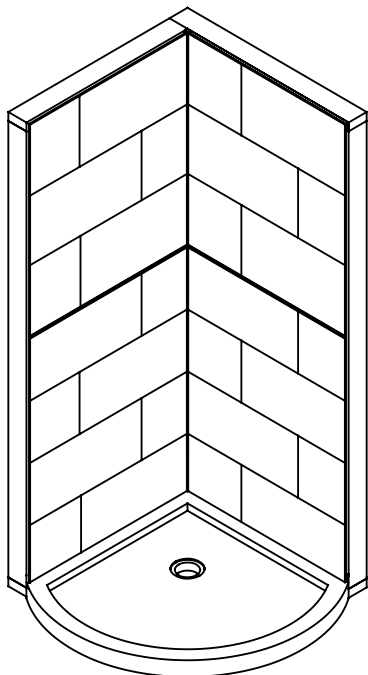
ÉTAPE 1 : INSTALLEZ VOTRE BASE DE DOUCHE (EN UTILISANT CE MANUEL).

ÉTAPE 2 : INSTALLEZ VOTRE PAROI DE DOUCHE SELON L'OPTION (A) OU L'OPTION (B).

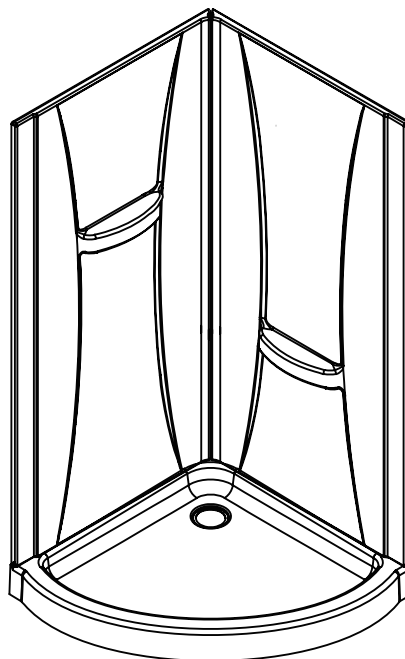
OPTION (A) : INSTALLATION AVEC DES CARREAUX OU DES PANNEAUX MURAUX COMPOSITES (NON FOURNIS)

OPTION (B) : INSTALLATION AVEC DES PANNEAUX OVE ACRYLIC (SI ACHETÉ EN KIT)

A



B



ÉTAPE 3 : INSTALLEZ VOTRE PORTE DE DOUCHE.

Un guide vidéo d'installation (V06) se trouve sur notre chaîne Youtube :



<https://tinyurl.com/y95nqcmv>



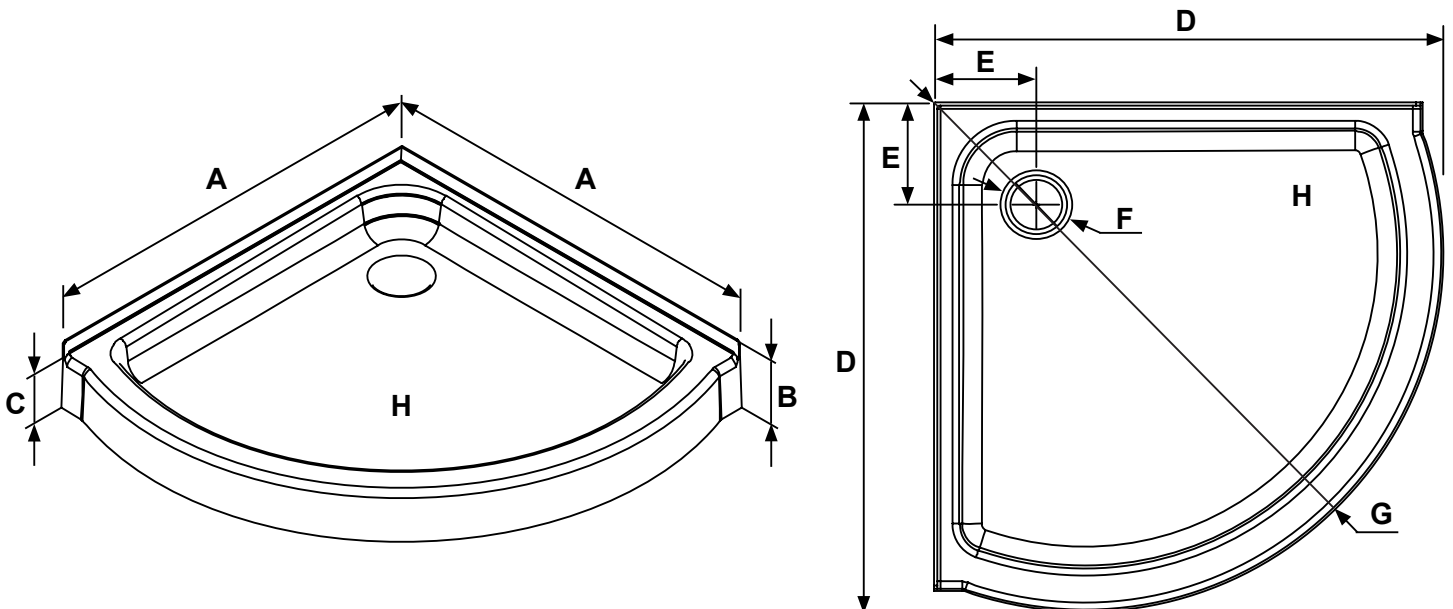
Questions, problèmes ou besoin d'aide?
 Contactez notre service à la clientèle au
 1-866-839-2888, du lundi au vendredi de 8 h à 17 h HNE.

TABLE DES MATIÈRES

DIMENSIONS DU RECEVEUR DE DOUCHE	3
DIMENSIONS DE LA PAROI DE DOUCHE	4
DIMENSIONS GÉNÉRALES DE LA DOUCHE	5
CONTENU DE L'EMBALLAGE (PORTE DE DOUCHE)	6
LISTE DES PIÈCES (PORTE DE DOUCHE)	8
LISTE DES PIÈCES (BASE DE DOUCHE)	11
LISTE DES PIÈCES (PAROI DE DOUCHE)	12
INFORMATIONS SUR LA SÉCURITÉ	13
AVANT L'INSTALLATION	14
INSTALLATION DE LA BASE (OPTION A)	15
INSTALLATION DE LA BASE (OPTION B)	25
INSTALLATION DES PANNEAUX MURAUX EN ACRYLIQUE	32
INSTALLATION DE LA PORTE DE DOUCHE	35
MAINTENANCE ET ENTRETIEN, GARANTIE	47

DIMENSIONS DE LA BASE DE DOUCHE

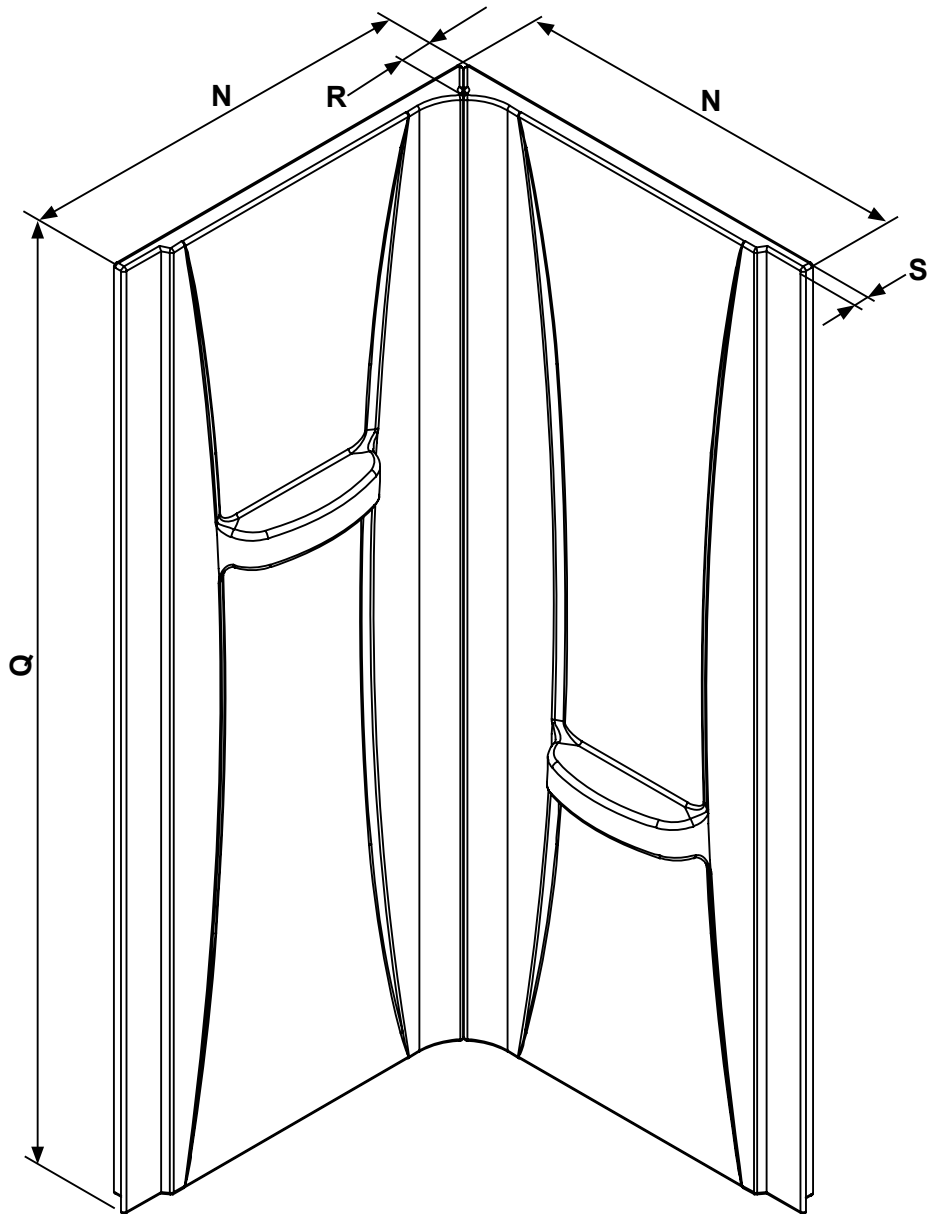
	Mesures	32"	34"	36"	38"
A	Largeur de la bride	31 7/8" 810mm	33 7/8" 860mm	35 15/16" 913mm	37 13/16" 960mm
B	Hauteur de la base de douche (avec bride)	5 1/8" 130mm	5 1/8" 130mm	5 1/8" 130mm	5 1/8" 130mm
C	Hauteur du seuil (sans bride)	4 1/8" 105mm	4 1/8" 105mm	4 1/8" 105mm	4 1/8" 105mm
D	Largeur totale du receveur de douche	32 11/16" 830mm	34 15/16" 887mm	40 1/16" 1018mm	44 5/16" 1125mm
E	Distance du drain à partir du coin	7 7/16" 189mm	7 1/4" 184mm	12 3/8" 314mm	11 5/8" 296mm
F	Diamètre de l'ouverture du drain	3 3/8" 85mm	3 3/8" 85mm	3 3/8" 85mm	3 3/8" 85mm
G	Longueur du bord de la base (maximum)	36 1/8" 918mm	39 1/4" 996mm	46 7/8" 1187mm	51 7/8" 1318mm
H	Surface finie	911 in ² 0.588 m ²	1051 in ² 0.678 m ²	1407 in ² 0.908 m ²	1708 in ² 1.102m ²



Mesures: POUCE (mm)

DIMENSIONS DU MUR DE LA DOUCHE (SI ACHETÉ EN KIT)

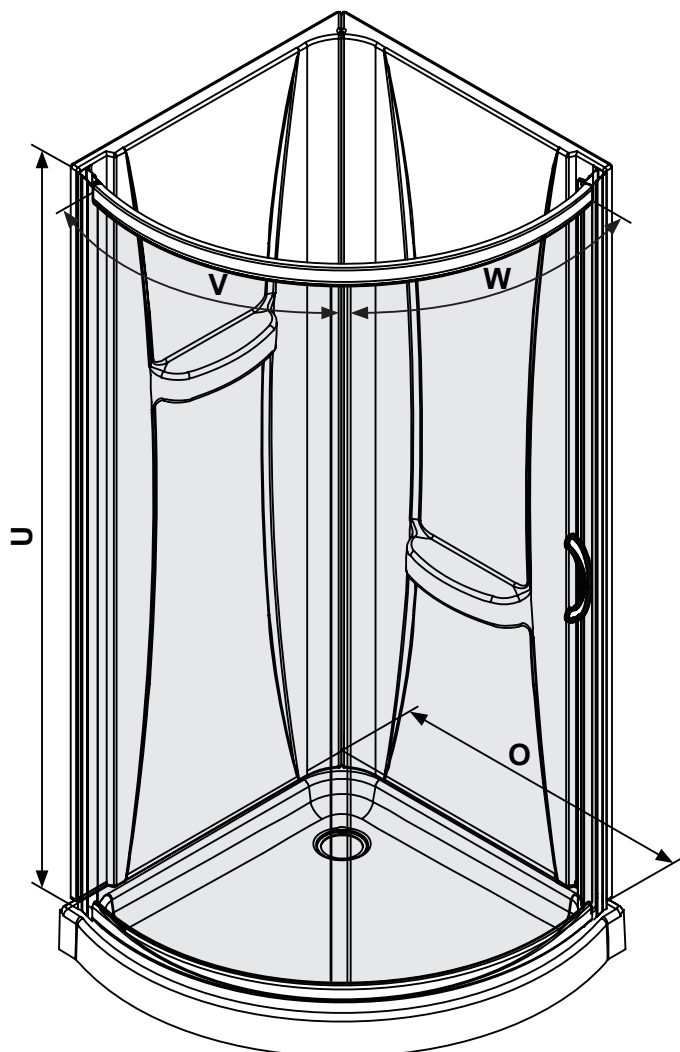
	Mesures	32"	34"	36"	38"
N	Largeur du mur	30 3/4" 781mm	32 7/8" 835mm	34 13/16" 884mm	36 13/16" 935mm
Q	Hauteur du mur	73 1/4" 1860mm	73 1/4" 1860mm	73 1/4" 1860mm	73 1/4" 1860mm
R	Épaisseur totale de la paroi	2 13/16" 71mm	2 13/16" 71mm	2 13/16" 71mm	2 13/16" 71mm
S	Épaisseur du mur	15/16" 23mm	15/16" 23mm	15/16" 23mm	15/16" 23mm



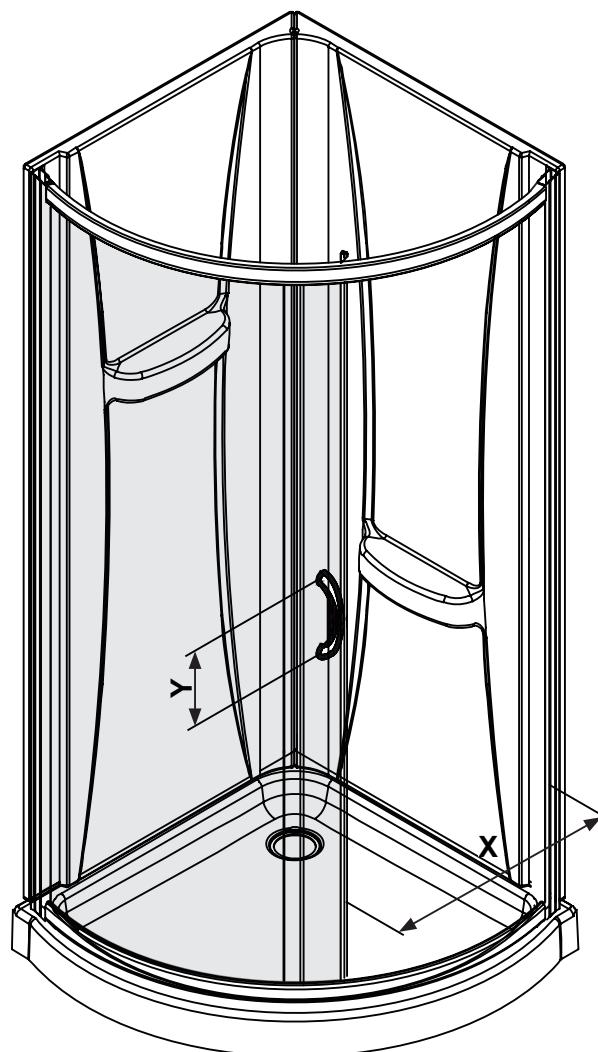
Mesures: POUCE (mm)

DIMENSIONS GÉNÉRALES DE LA DOUCHE

	Mesures	32"	34"	36"	38"
O	Largeur de la douche (rail mural à rail mural)	29 13/16" 758mm	31 1/4" 793mm	33 7/16" 850mm	35 7/8" 911mm
U	Hauteur de la douche	72 13/16" 1850mm	72 13/16" 1850mm	72 13/16" 1850mm	72 13/16" 1850mm
V	Largeur du panneau fixe	22 3/4" R23" 578 R584mm	25 1/16" R23" 637 R584mm	30 15/16" R23" 786 R584mm	39 3/16" R24 1/2" 995 R622mm
W	Largeur du panneau de porte	23 15/16" R22 1/16" 608 R560mm	26 3/16" R22 1/16" 665 R560mm	32 1/4" R22 1/16" 819 R560mm	32 5/8" R23 9/16" 829 R598mm
X	Ouverture de la porte	19 15/16" 506mm	21 13/16" 554mm	25 11/16" 652mm	26 1/8" 664mm
Y	Distance entre les trous de poignée	5 11/16" 145mm	5 11/16" 145mm	5 11/16" 145mm	5 11/16" 145mm



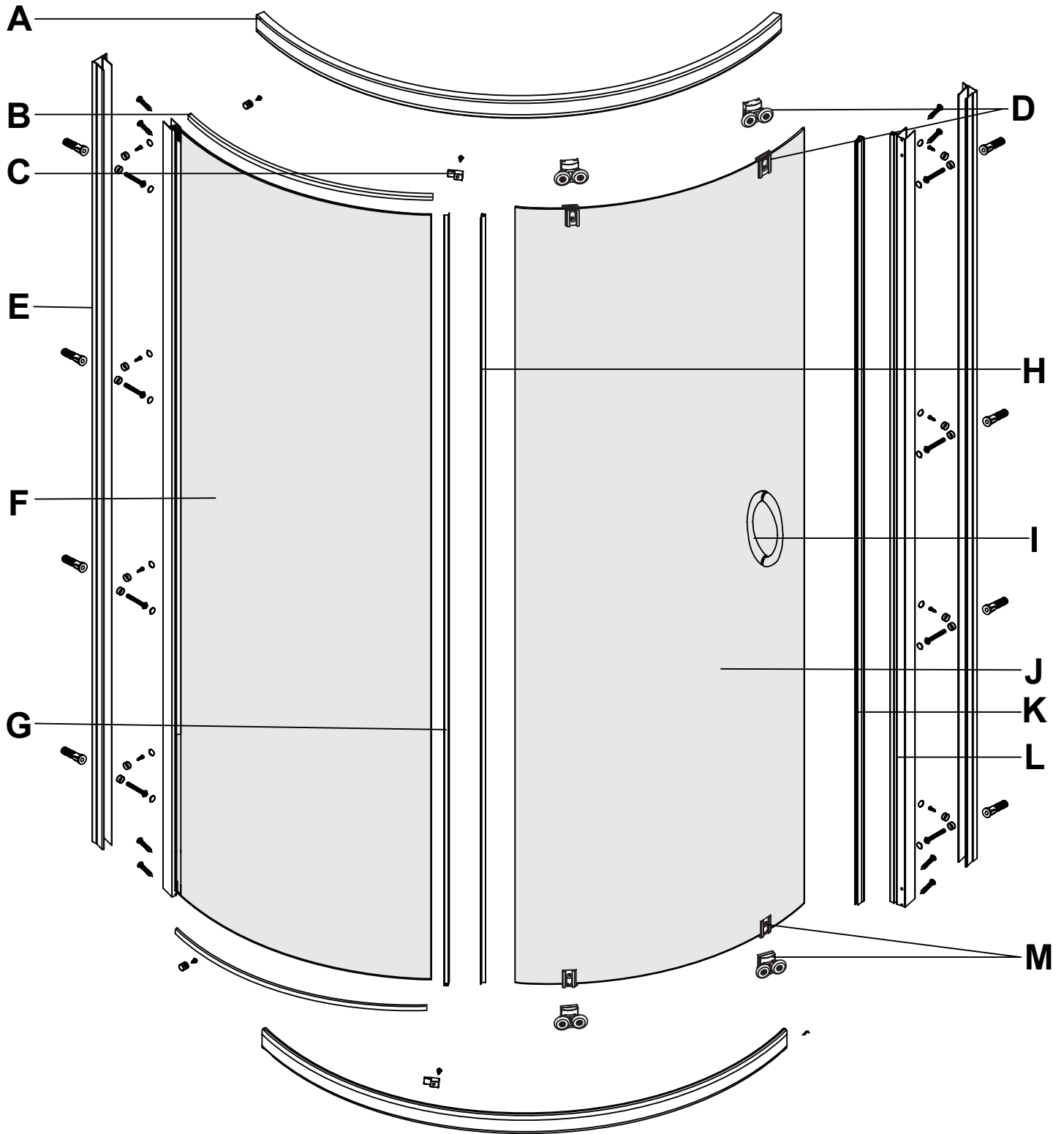
DIMENSION GLOBALE DE LA DOUCHE



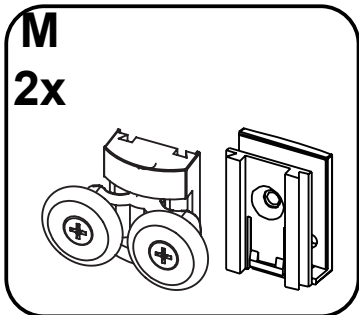
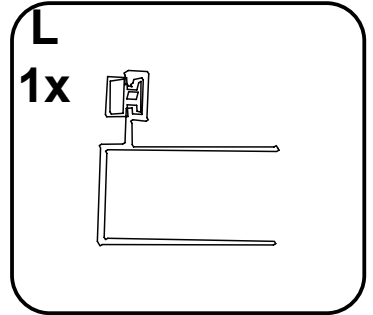
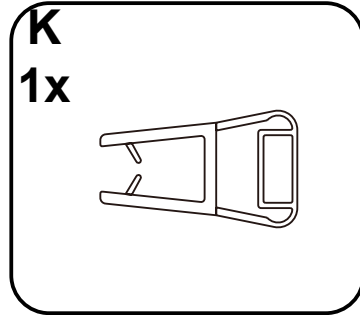
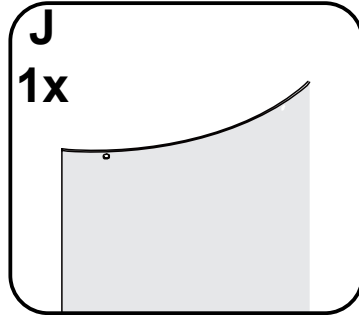
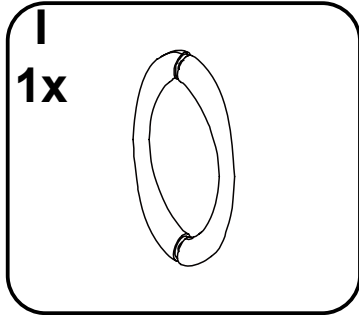
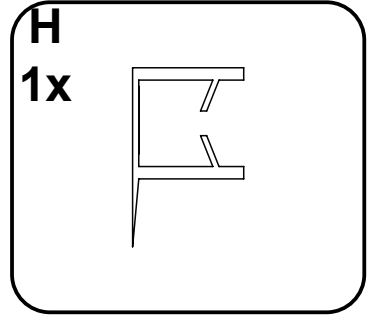
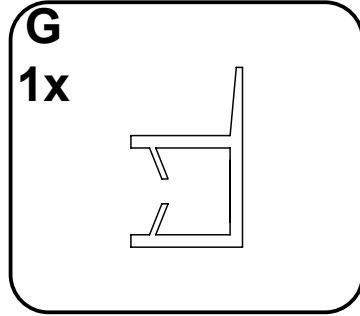
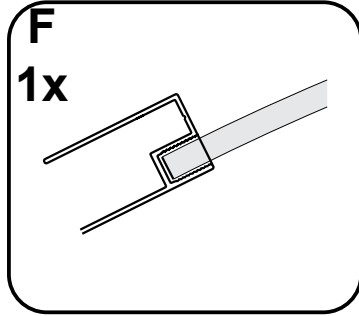
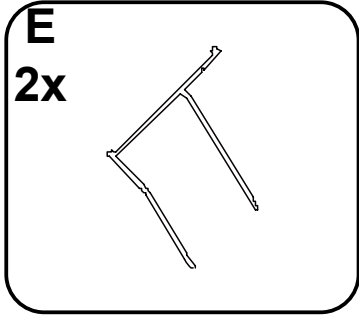
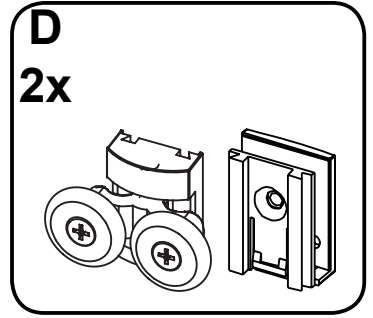
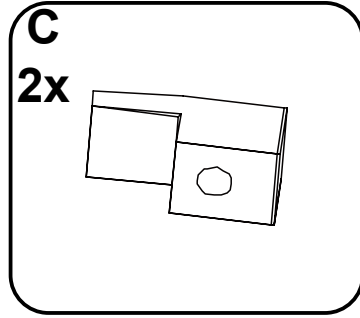
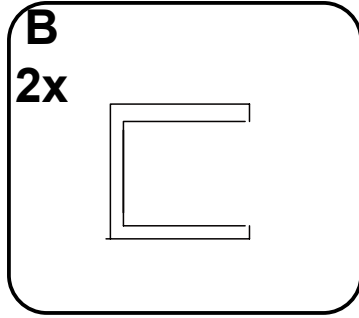
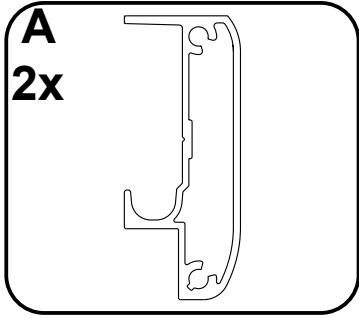
DIMENSION DE L'OUVERTURE DE LA PORTE DE DOUCHE

Mesures: POUCE (mm)

CONTENU DU PAQUET (PORTE DE DOUCHE)



CONTENU DU PAQUET (PORTE DE DOUCHE)



LISTE DES PIÈCES (PORTE DE DOUCHE)

# DE PIÈCE	DESCRIPTION	QUANTITÉ	CODE
A	Glissière du cadre (haut et bas)	2	32" Chrome: 99STR1033
			34" Chrome: 99STR1034
			36" Chrome: 99STR1035
			38" Chrome: 99STR1036
			32" Satiné: 99STR3766-AC
			34" Satiné: 99STR3767-AC
			36" Satiné: 99STR3768-AC
			38" Satiné: 99STR3769-AC
			32" Noir Mat: 99STR3770-AC
			34" Noir Mat: 99STR3771-AC
			36" Noir Mat 99STR3772-AC
			38" Noir Mat: 99STR3773-AC
B	Joint d'étanchéité du panneau fixe (haut et bas)	2	32" Chrome et Satiné: 99SRU3633-AC
			34" Chrome et Satiné: 99SRU3634-AC
			36" Chrome et Satiné: 99SRU3635-AC
			38" Chrome et Satiné : 99SRU3636-AC
			32" Noir Mat: 99SRU3703-AC
			34" Noir Mat: 99SRU3704-AC
			36" Noir Mat: 99SRU3705-AC
			38" Noir Mat: 99SRU3706-AC
C	Attache pour panneau fixe	2	Chrome: 99SGC1030
			Satiné: 99SGC4053-AC
			Noir Mat: 99SGC4054-AC
D	Roues du haut et support (support pré-installé)	2	Chrome: 99SWE0067-AC
			Satiné: 99SWE3644-AC
			Noir Mat: 99SWE3645-AC
E	Glissière murale	2	32" Chrome: 99STR3835-AC
			32" Satiné: 99STR3837-AC
			32" Noir Mat: 99STR3836-AC
			34" Chrome: 99STR3838-AC
			34" Satiné: 99STR3840-AC
			34" Noir Mat: 99STR3839-AC
			36" Chrome: 99STR3841-AC
			36" Satiné: 99STR3843-AC
			36" Noir Mat: 99STR3842-AC
			38" Chrome: 99STR1043-AC
			38" Satiné: 99STR3774-AC
			38" Noir Mat: 99STR3775-AC

LISTE DES PIÈCES (PORTE DE DOUCHE)

# DE PIÈCE	DESCRIPTION	QUANTITÉ	CODE
F	Panneau fixe	1	32" Chrome: 99SG10018-AC
			34" Chrome: 99SG10327-AC
			36" Chrome: 99SG10328-AC
			38" Chrome: 99SG10329-AC
			32" Satin Nicke: 99SG3754-AC
			34" Satiné: 99SG3755-AC
			36" Satiné: 99sG3756-AC
			38" Satiné: 99SG3757-AC
			32" Noir Mat: 99SG3758-AC
			34" Noir Mat: 99SG3759-AC
			36" Noir Mat: 99SG3760-AC
			38" Noir Mat: 99SG3761-AC
			32" Chrome: 99SGP-7S5N5VN8-AC
			34" Chrome: 99SGP-739GKCQU-AC
			36" Chrome: 99SGP-7Q9K943L-AC
			38" Chrome: 99SGP-59G50X35-AC
			32" Satiné: 99SG3762-AC
			34" Satiné: 99SG3763-AC
			36" Satiné: 99SG3764-AC
			32" Noir Mat: 99SG3766-AC
34" Noir Mat: 99SG3767-AC			
36" Noir Mat: 99SG3768-AC			
G	Joint d'étanchéité du panneau fixe	1	Chrome et Satiné: 99SRU0057
			Noir Mat: 99SRU3707-AC
H	Joint d'étanchéité de la porte	1	Chrome et Satiné: 99SRU0058
			Noir Mat: 99SRU3708-AC
I	Poignée de porte	1	Chrome: 99SHA1022
			Satiné: 99SHA3639-AC
			Noir Mat: 99SHA3640-AC

LISTE DES PIÈCES (PORTE DE DOUCHE)

# DE PIÈCE	DESCRIPTION	QUANTITÉ	CODE	
J	Porte de douche	1	Verre transparent	32" : 99SGD0021-AC
				34" : 99SGD0041-AC
				36" : 99SGD0040-AC
				38" : 99SGD0042-AC
			Grossier désordre en verre dépoli	32" : 99SGD3661-AC
				34" : 99SGD3662-AC
				36" : 99SGD3663-AC
				38" : 99SGD3664-AC
			Verre dépoli à petits carreaux	32" : 99SGD4958-AC
				34" : 99SGD4959-AC
				35" : 99SGD4960-AC
				36" : 99SGD4961-AC
K	Joint d'étanchéité magnétique de la porte	1	Chrome et Satiné: 99SRU0059	
			Noir Mat: 99SRU3709-AC	
L	Glissière magnétique pour porte	1	Chrome: 99STR1037	
			Satiné: 99STR3776-AC	
			Noir Mat: 99STR3777-AC	
M	Roues du bas et support (support pré-installé)	2	Chrome: 99SWE0068-AC	
			Satiné: 99SWE3646-AC	
			Noir Mat: 99SWE3647-AC	
***	Quincaillerie complete	N/A	Chrome: 99SHW0040-AC	
			Satiné: 99SHW6076-AC	
			Noir Mat: 99SHW6077-AC	

LISTE DE LA QUINCAILLERIE FOURNIE (PORTE DE DOUCHE)

AA



Vis
ST4x45
12+2

BB



Vis
ST3.5x25
8+1

CC



Ancrage mural
ø6x30
x8

DD



Vis
ST4x14
2+1

EE



Vis
ST4x13
6+1

FF



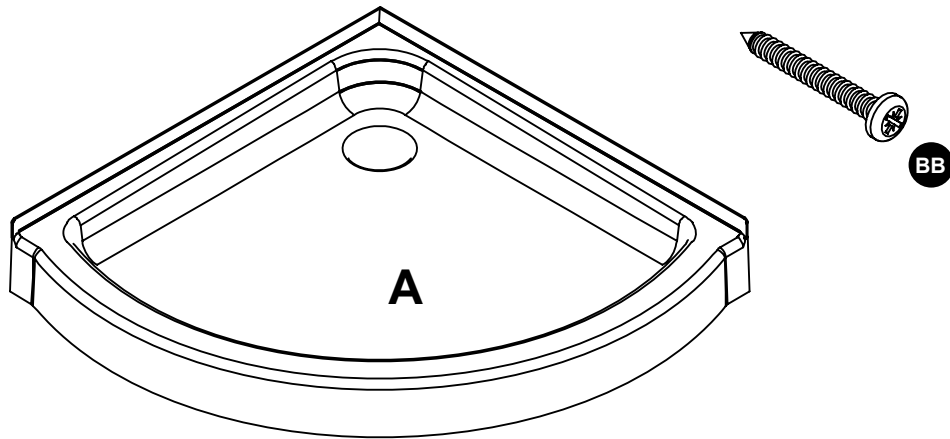
Capuchon pour vis
x14

GG



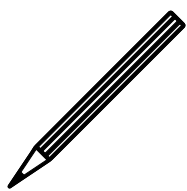
Rondelle
x14

LISTE LISTE DES PIÈCES (BASE DE DOUCHE)

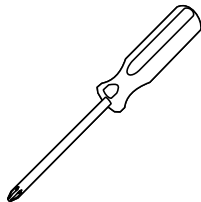


# DE PIÈCE	DESCRIPTION	QUANTITÉ	CODE
A	Receveur de douche	1	
BB	Vis (ST4x30mm)	8+1	

OUTILS NÉCESSAIRES (NON FOURNIS)



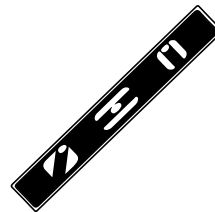
Crayon



Tournevis



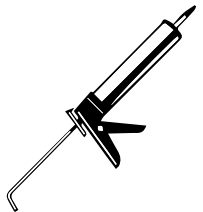
Ruban à mesurer



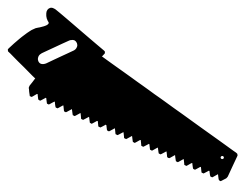
Niveau



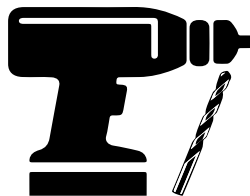
Coupeur de boîte



Silicone



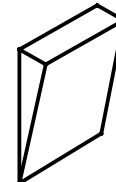
Scie



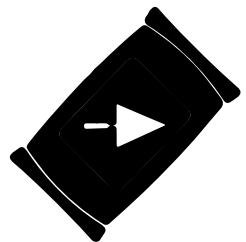
Perceuse et forets
 ø1/8" (3mm)
 ø3/16" (5mm)
 ø1/4" (6mm)



Scie à trous foret



Cales en bois



Ciment



Truelle



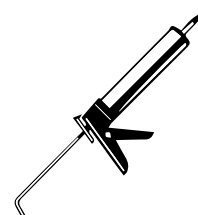
Lunettes de sécurité



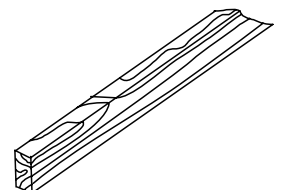
Maillet en caoutchouc



Cliquet
 Embout de 5mm

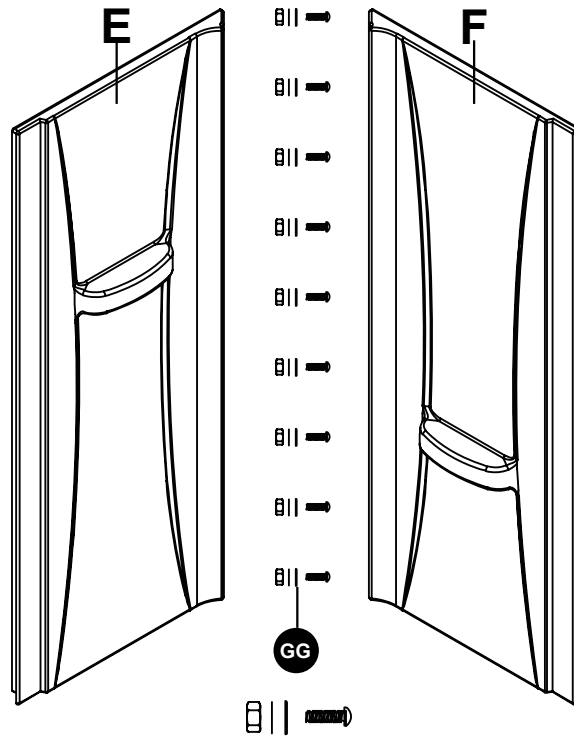


Adhésif de construction



1x3 Battens

LISTE DES PIÈCES PAROI DE DOUCHE (SI ACHETÉ EN KIT)



# DE PIÈCE	DESCRIPTION	QUANTITÉ	CODE
E	Panneau mural (gauche)	1	32" : 99SAP0044-AC
			34" : 99SAP0046-AC
			36" : 99SAP0048-AC
			38" : 99SAP0050-AC
F	Panneau mural (droite)	1	32" : 99SAP0045-AC
			34" : 99SAP0047-AC
			36" : 99SAP0049-AC
			38" : 99SAP0051-AC
GG	Boulon et écrou	9	99SHW0353-AC



INFORMATION SUR LA SÉCURITÉ



AVERTISSEMENT

Veillez lire attentivement les importantes consignes de sécurité suivantes avant la manutention et l'installation de cette douche. La manipulation de ce produit présente un risque de blessure grave. Pour minimiser ces risques, veuillez prendre note de ce qui suit:

- Toujours porter des lunettes et des gants de sécurité pendant la manutention.
- Toujours lire et suivre toutes les étapes indiquées dans les instructions d'installation.
- Avant l'installation, inspecter tout le contenu et le verre pour détecter toute forme de dommages.
- Pendant l'installation, faire très attention lorsque vous manipulez les pièces en verre, car le verre trempé peut se fracasser s'il entre en contact avec une surface dure.
- Manipulez le verre trempé avec précaution sinon il pourrait se briser en petits morceaux (jamais en fragments pointus).
- Prendre toujours toutes les précautions nécessaires pour que, pendant l'installation ou après, les outils que vous utilisez n'entrent pas en contact avec le verre trempé.
- Ne pas couper ni modifier le verre trempé, car il pourrait se briser en éclat s'il est coupé.
- Sortir le produit de son emballage avec soin et le conserver jusqu'à ce que l'installation soit complétée.
- Inspectez toutes les pièces. S'il y a des dommages sur le produit avant l'installation, veuillez communiquer avec le service à la clientèle au numéro indiqué dans ce guide.
- Installez la douche sur un plancher au niveau et capable de supporter le produit et son utilisateur.
- Veuillez consulter le code du bâtiment et les normes de conformité avant l'installation du produit.
- Après l'installation, et périodiquement, vérifier l'assemblage et la finition des pièces en verre, pour vous assurer qu'aucun élément ne s'est desserré depuis l'installation.
- Conserver le présent manuel d'instruction pour consultation future.

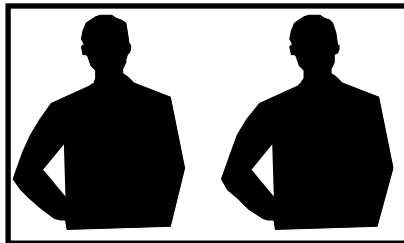
AVIS

Toute modification ou altération apportée aux indications données dans le présent manuel d'instructions annule toute garantie associée à ce produit.

Le distributeur n'est pas responsable pour les dommages sur le produit ou sur la personne causés par une installation inadéquate. Si vous ne tenez pas compte des indications du manuel d'instruction, vous annulerez votre garantie et vous vous exposerez à des dommages causés par les fuites d'eau.

Pour de plus amples renseignements sur l'installation du produit ou si vous avez des questions, veuillez consulter le site du distributeur.

PRÉPARATION



Vous aurez besoin d'au moins deux personnes pour installer correctement cette unité.



AVANT L'INSTALLATION

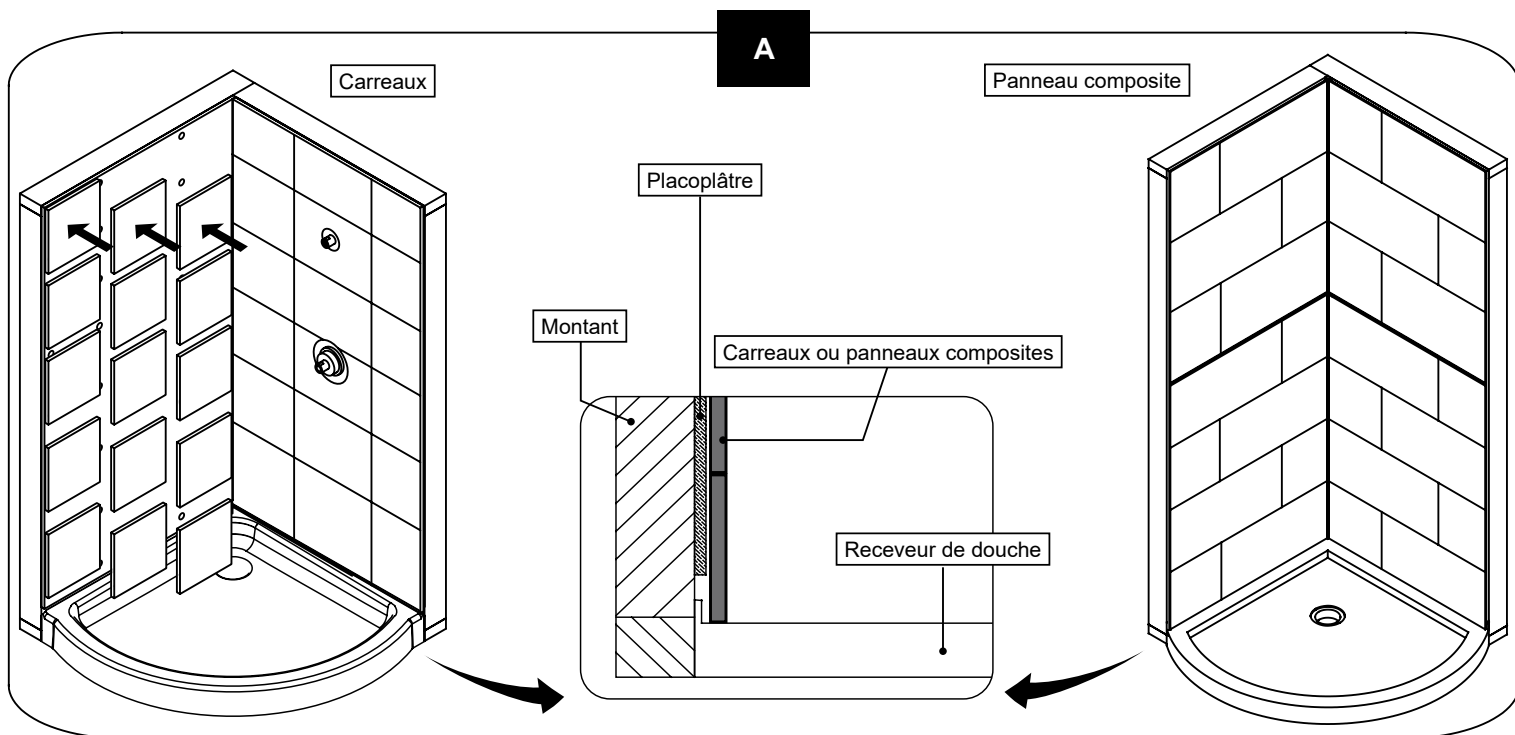


Pour faciliter l'installation de ce produit, veuillez lire les points importants suivants :

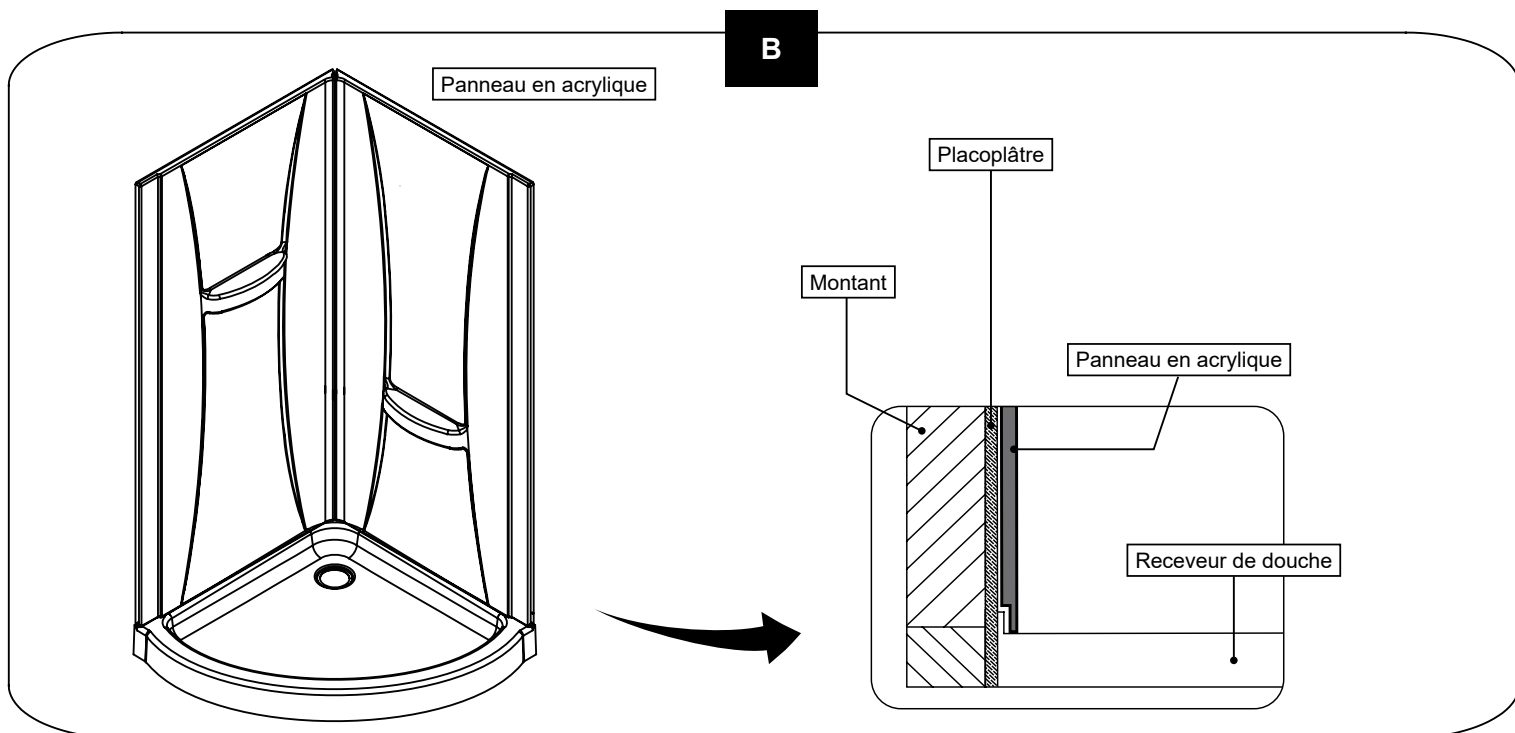
- **LISEZ TOUTES les instructions avant de commencer.**
- **ASSUREZ-VOUS de trouver toutes les pièces énumérées dans la liste des pièces de chaque ensemble : Porte de douche, Base de douche, Mur de douche (si acheté en kit).** Contactez immédiatement le service clientèle si une pièce est manquante au 1-866-839-2888 ou customerservice@ovedecors.com.
- Si vos murs sont en carreaux ou en panneaux composites (**Option A**), passez à la page 15. Si vous utilisez les panneaux acryliques fournis, passez à la section (**Option B**) à la page 25.

Veillez consulter les images ci-dessous pour l'OPTION (A), l'OPTION (B).

Kit de douche : Porte de douche + base de douche



Kit de douche : Porte de douche + Base de douche + Mur de douche



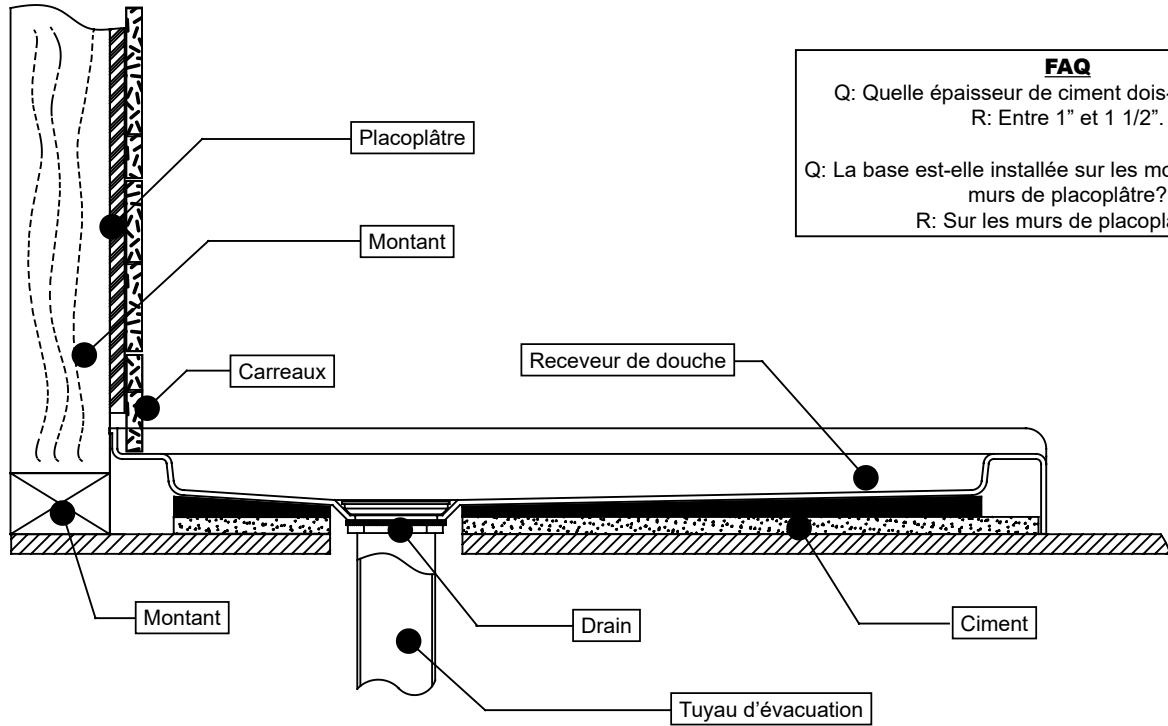
A

VUE D'ENSEMBLE DE L'INSTALLATION DE BASE (OPTION A)

1. Avant de commencer l'installation de votre produit, consultez l'illustration 1 ci-dessous montrant une vue latérale de l'installation terminée.
2. L'illustration 2 montre la structure du mur et les mesures recommandées pour l'installation du produit.

REMARQUE : Le client doit suivre et respecter les codes locaux et nationaux de construction et de plomberie. Toutes les illustrations de ce manuel sont fournies à titre de référence uniquement et ne prévalent sur aucun code ou règlement. Il est recommandé que ce produit soit installé par un professionnel.

1

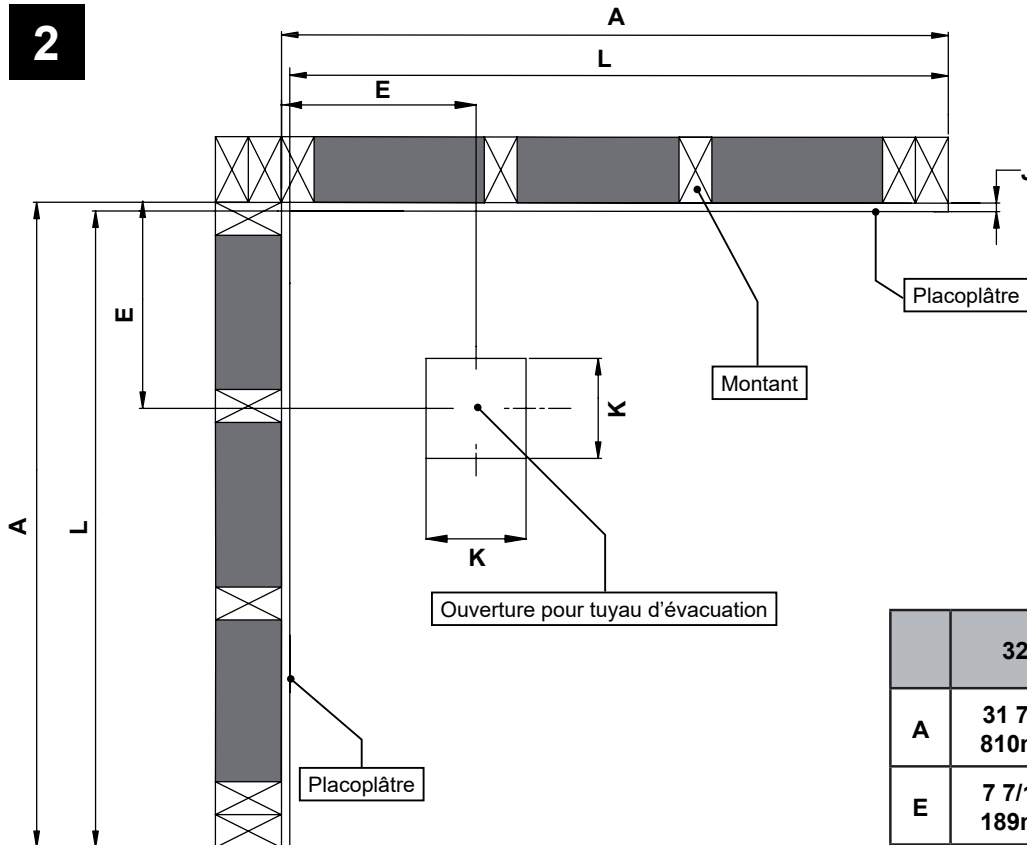


FAQ

Q: Quelle épaisseur de ciment dois-je appliquer ?
R: Entre 1" et 1 1/2".

Q: La base est-elle installée sur les montants ou sur les murs de placoplâtre ?
R: Sur les murs de placoplâtres.

2

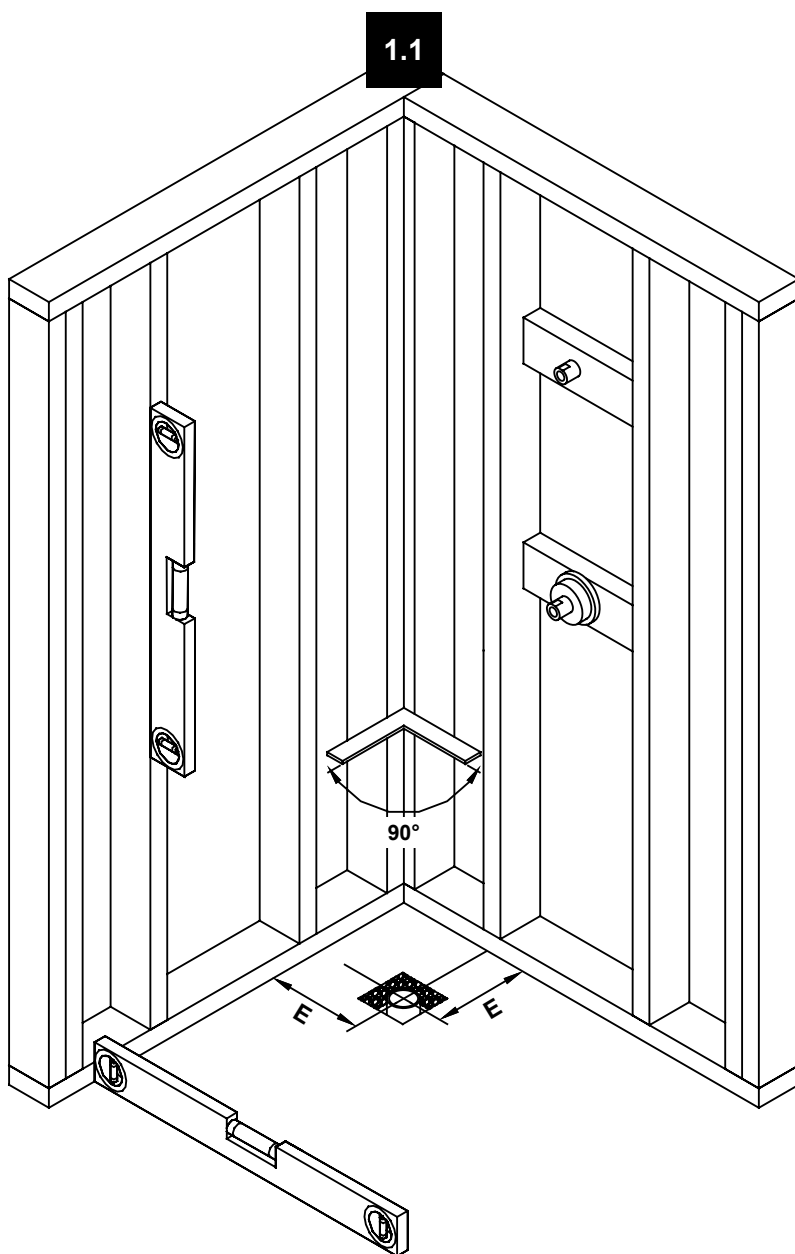


	32"	34"	36"	38"
A	31 7/8" 810mm	33 7/8" 860mm	35 15/16" 913mm	37 13/16" 960mm
E	7 7/16" 189mm	7 1/4" 184mm	12 3/8" 314mm	11 5/8" 296mm
J	1/2" 13mm	1/2" 13mm	1/2" 13mm	1/2" 13mm
K	6" 152mm	6" 152mm	6" 152mm	6" 152mm
L	31 9/16" 802mm	33 9/16" 852mm	35 1/2" 902mm	37 1/2" 952mm

1.1. Assurez-vous que la structure du mur est nivelée.

1.2. Placez la base de douche (A) sur le sol et marquez le contour à l'aide d'un crayon.

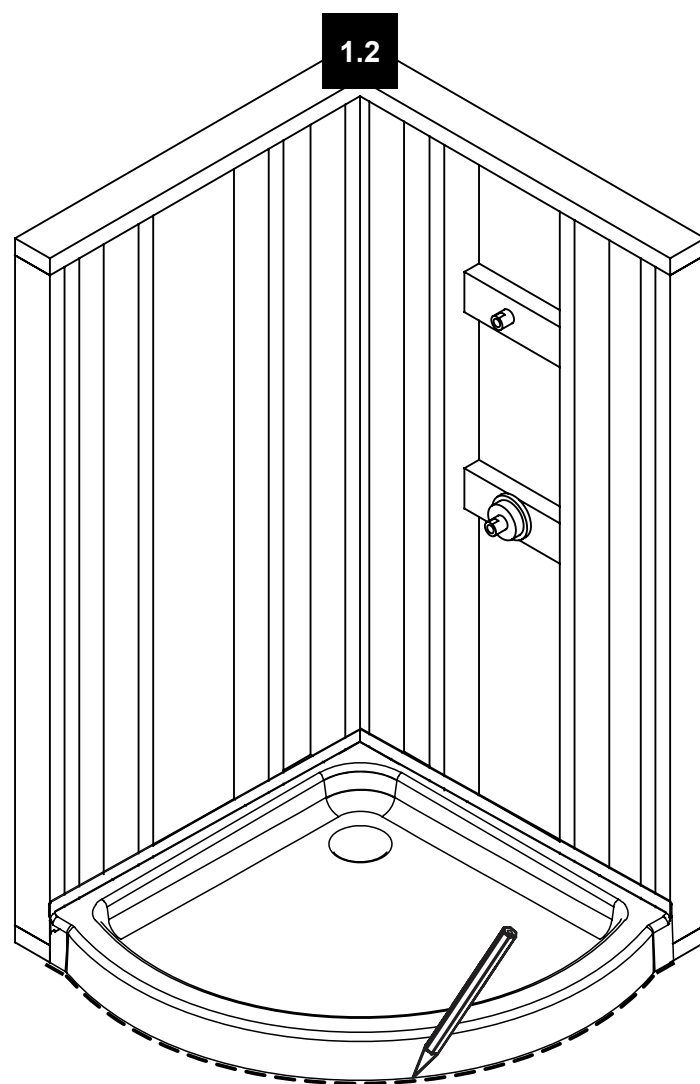
*Cette section concerne uniquement l'installation de carreaux de faïence. Pour l'installation de panneaux muraux composites, veuillez vous référer au manuel d'instructions de votre panneau mural composite.



	32"	34"	36"	38"
E	7 7/16" 189mm	7 1/4" 184mm	12 3/8" 314mm	11 5/8" 296mm

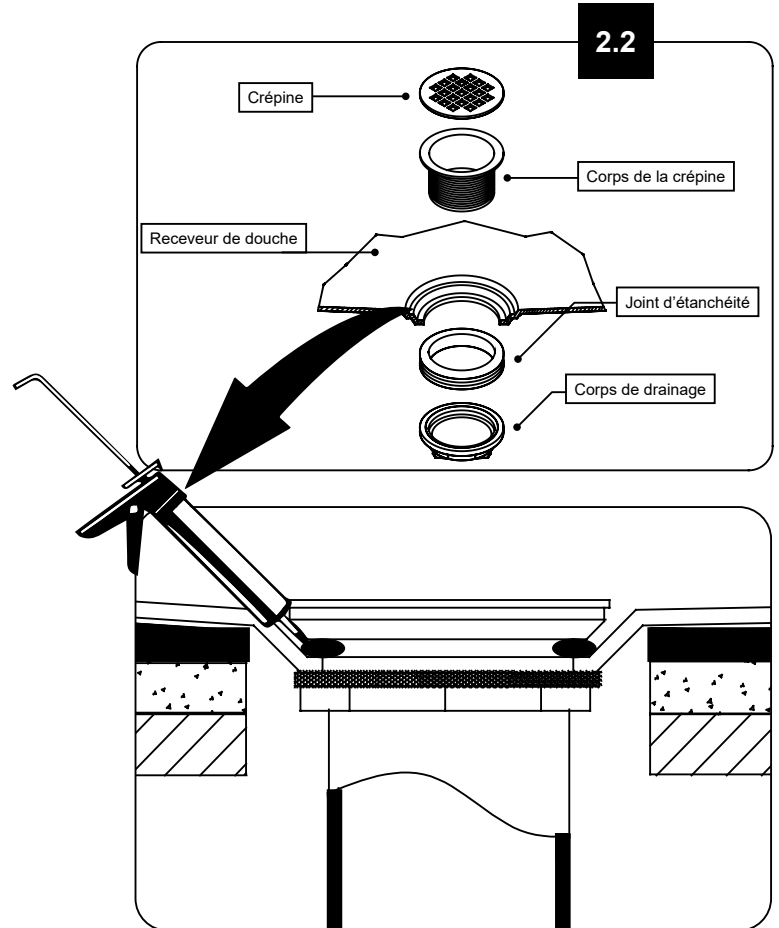
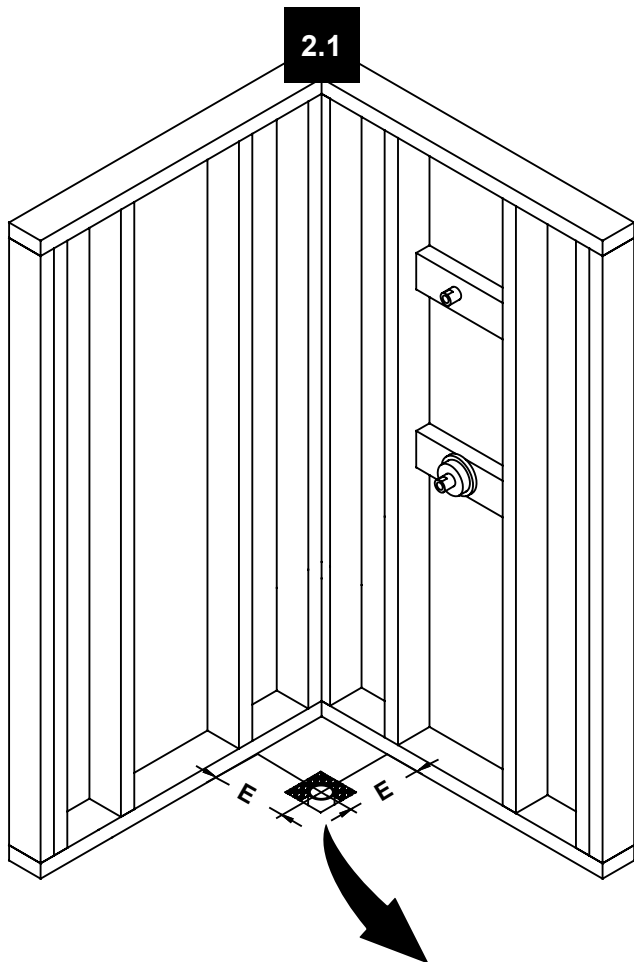
NON FOURNI!

Les montants, les cloisons sèches et les vis pour cloisons sèches ne sont pas fournis.

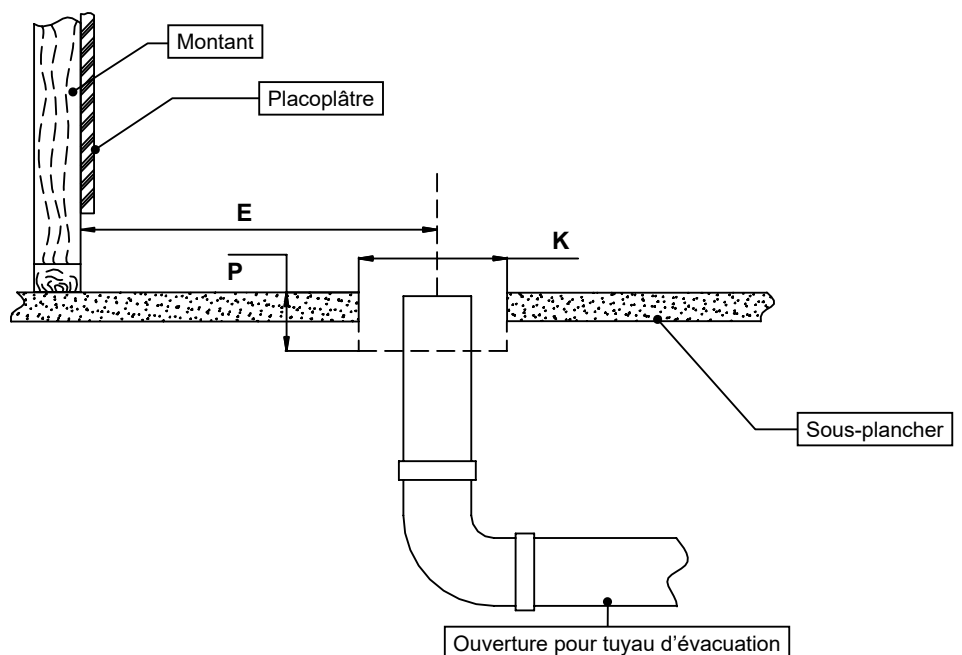


2.1. Assurez-vous que la plomberie du tuyau d'évacuation est terminée.

2.2. Le drain de douche n'est pas fourni, ces illustrations ne sont données qu'à titre indicatif. Il est recommandé de vérifier l'installation du drain auprès du fabricant avant de poursuivre. En général, le corps du drain doit être scellé sur le tuyau d'évacuation avant de poursuivre l'installation de la base. Une fois l'installation de la base terminée, le corps de la crépine est vissé dans le corps du drain. Appliquez du silicone sous le corps de la crépine pour réduire les risques de fuites.



	32"	34"	36"	38"
E	7 7/16" 189mm	7 1/4" 184mm	12 3/8" 314mm	11 5/8" 296mm
K	6" 152mm	6" 152mm	6" 152mm	6" 152mm
P	2 1/4" 57mm	2 1/4" 57mm	2 1/4" 57mm	2 1/4" 57mm



NON FOURNI!

La bonde de douche et le tuyau d'évacuation ne sont pas fournis.

3.1. Appliquer du ciment (d'une épaisseur de 2,5 à 3,8 cm (1 à 1 1/2 po)) sur le contour tracé de la base de la douche. Cela aidera à niveler la base lors des étapes suivantes. L'épaisseur de la couche de ciment varie en fonction de votre plancher.

3.2. Avant de poser la base de douche sur le ciment, il est recommandé de recouvrir le ciment d'une fine feuille de polyéthylène (2 mm [1/16 po]). Cela empêchera la base d'être collée de façon permanente au ciment et permettra des ajustements futurs si nécessaire.

3.3. Mettez la base de douche à niveau.

NON FOURNI!

Le ciment et la feuille de polyéthylène ne sont pas fournis.

FAQ

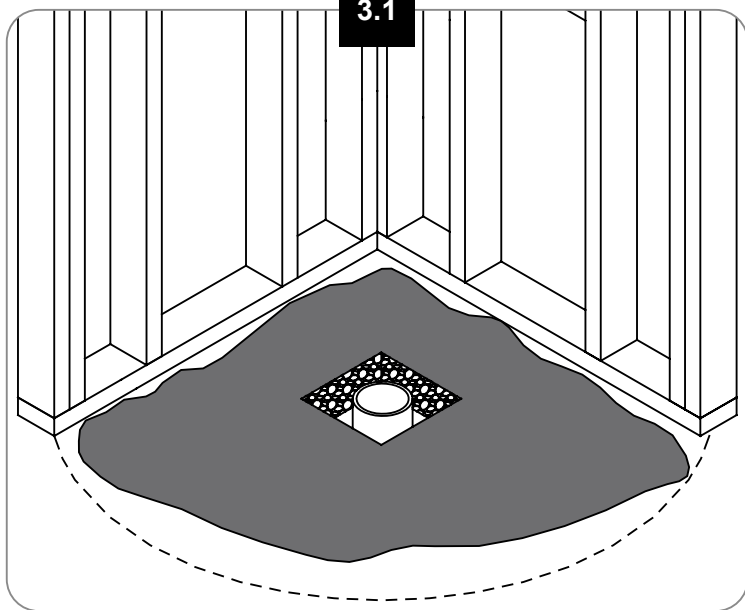
Q: Quelle épaisseur de ciment dois-je appliquer ?

R: Entre 1" et 1 1/2" (2.5 et 3.8 cm).

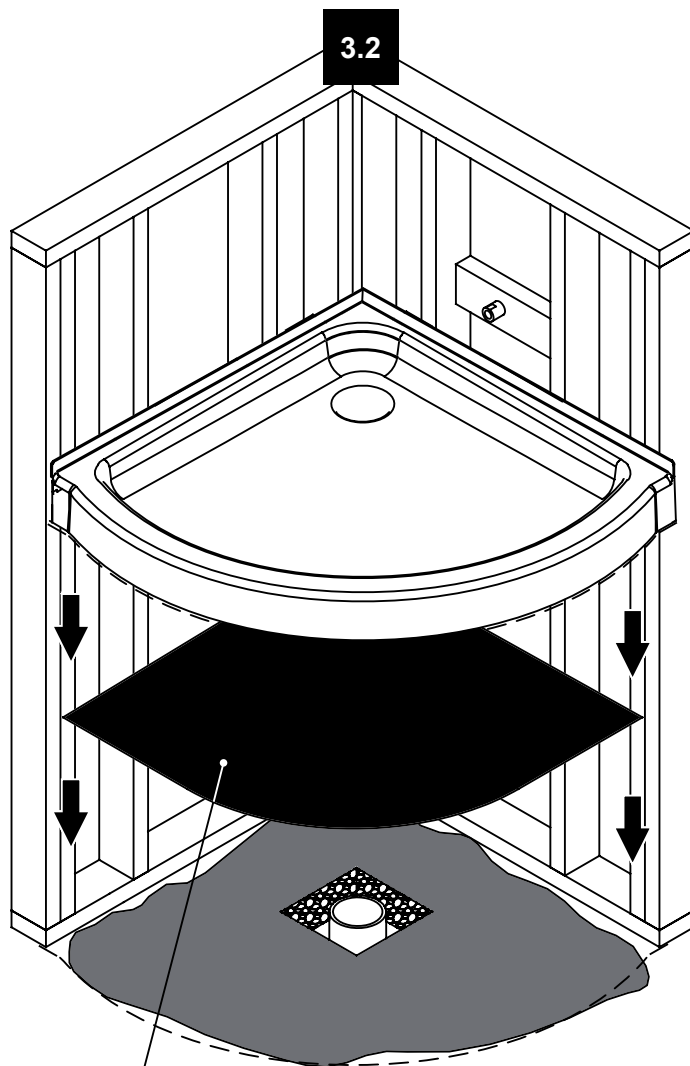
Q: La base est-elle installée sur les montants ou sur les murs de placoplâtre?

R: Sur les murs de placoplâtres.

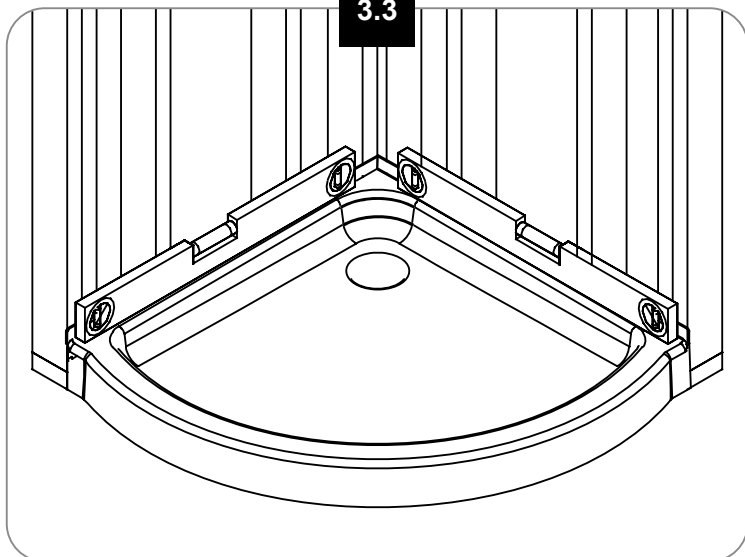
3.1



3.2



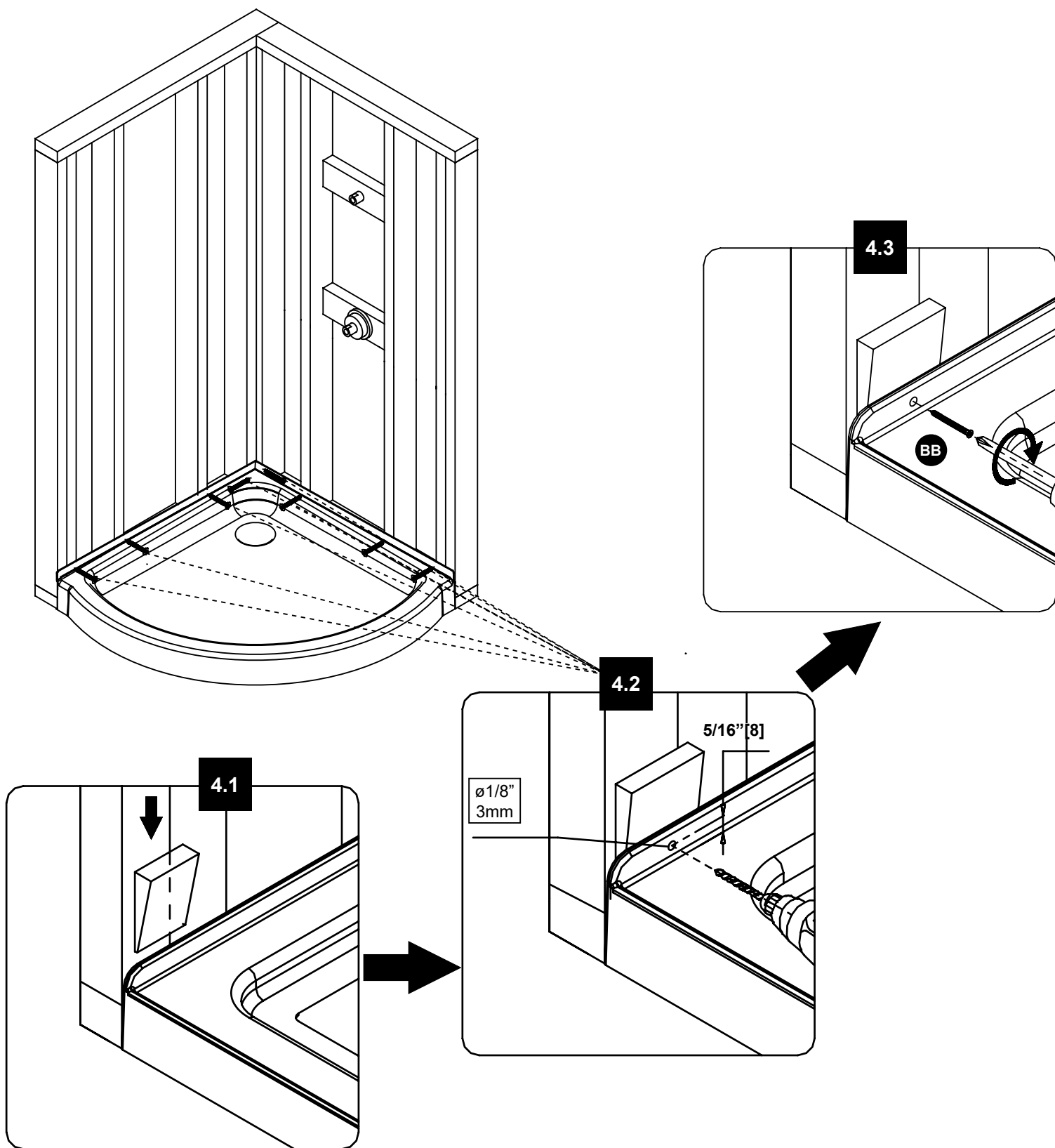
3.3



Feuille de polyéthylène 1/16" (2mm) épais

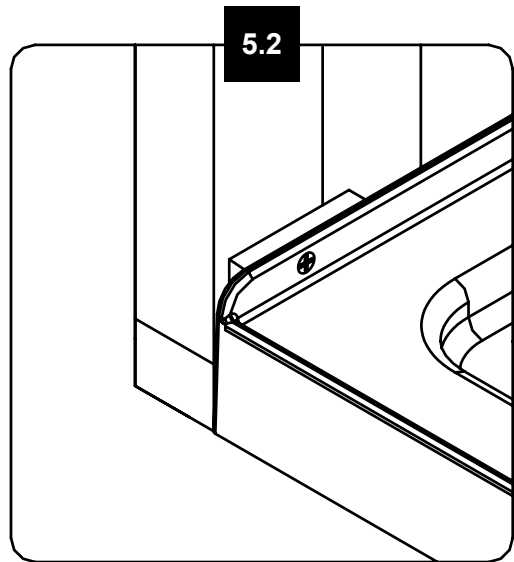
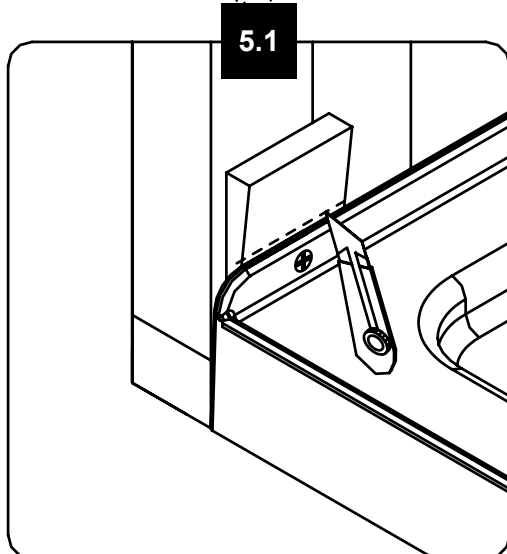
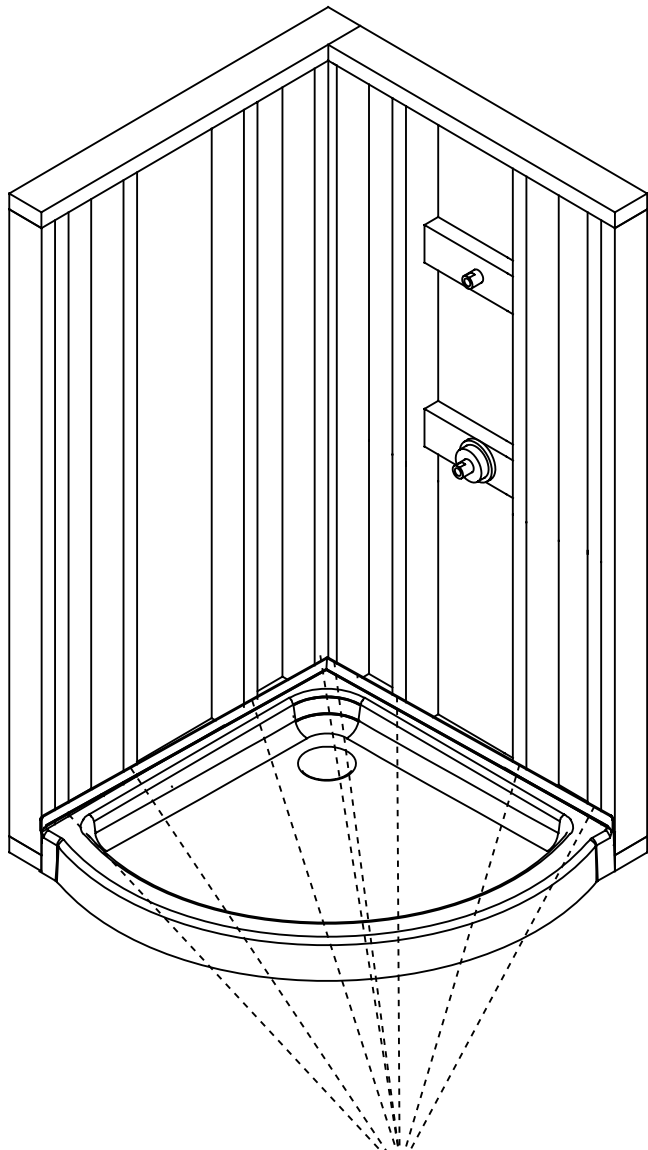
4.1. La bride de la base de la douche est légèrement inclinée de par sa conception. Aux endroits où vous visserez la base de la douche aux montants, il est recommandé d'utiliser des cales en bois pour combler l'espace entre la bride de la base et les montants.

4.2-4.3. Percez des trous de guidage et fixez la base de douche en la vissant aux montants. Il est recommandé de visser une vis par montant, et de viser le centre du montant.



5.1. Coupez la partie saillante des cales en bois.

5.2. Laissez le ciment sécher pendant 24 heures avant de poursuivre.



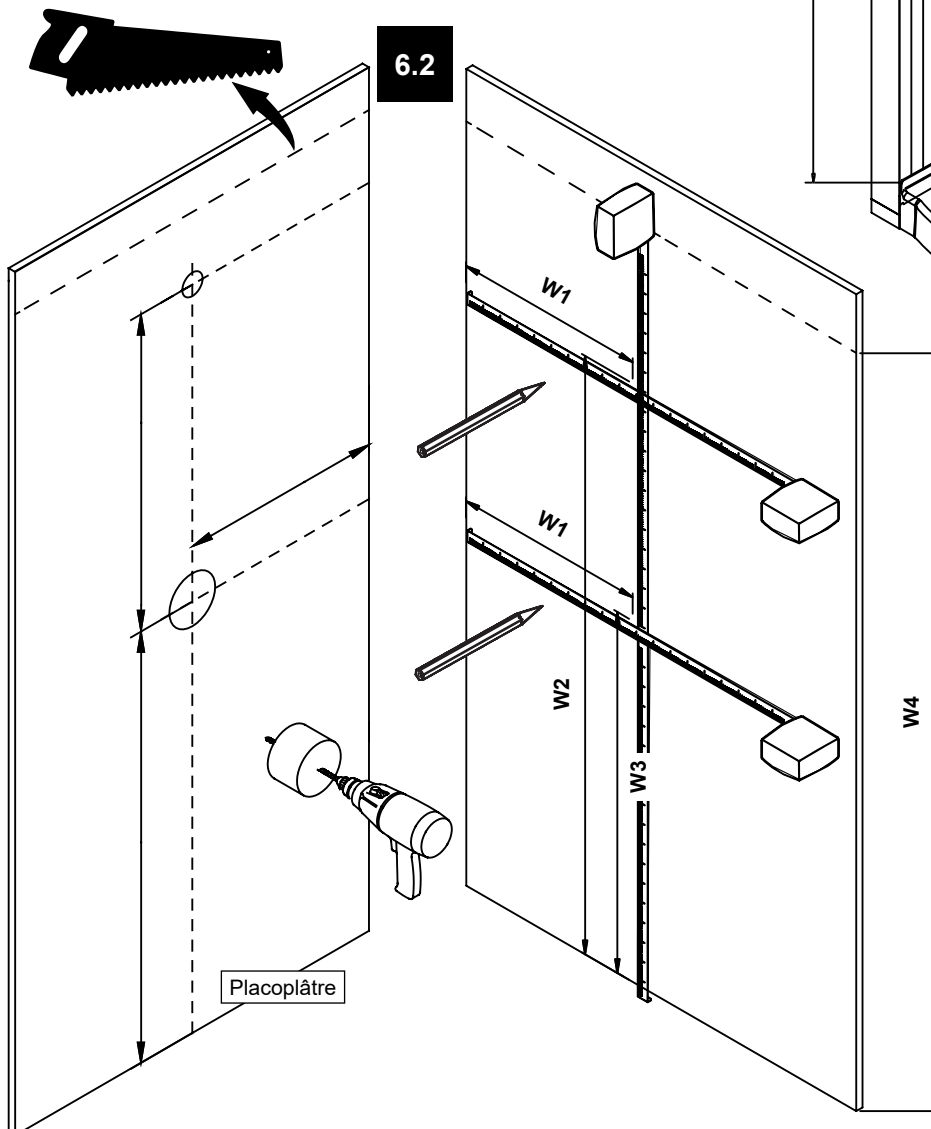
24H!

- 6.1. Mesurez l'emplacement de la vanne de douche et du bras de douche existants dans le mur, comme illustré par les mesures W1, W2, W3 et W4 ci-dessous.
 6.2. Avant d'installer vos cloisons sèches, percez des trous aux emplacements mesurés pour la plomberie existante sur le mur. Utilisez une scie cloche pour découper proprement la cloison sèche. Coupez également les cloisons sèches à la bonne hauteur.

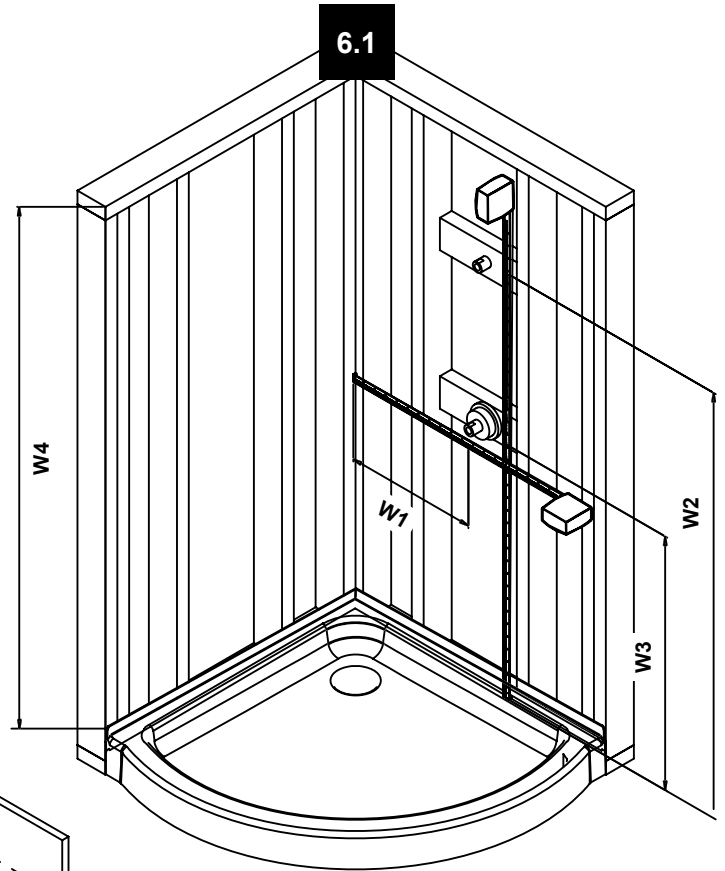
NON FOURNI!

Les montants, les cloisons sèches et les vis pour cloisons sèches ne sont pas fournis.

6.2



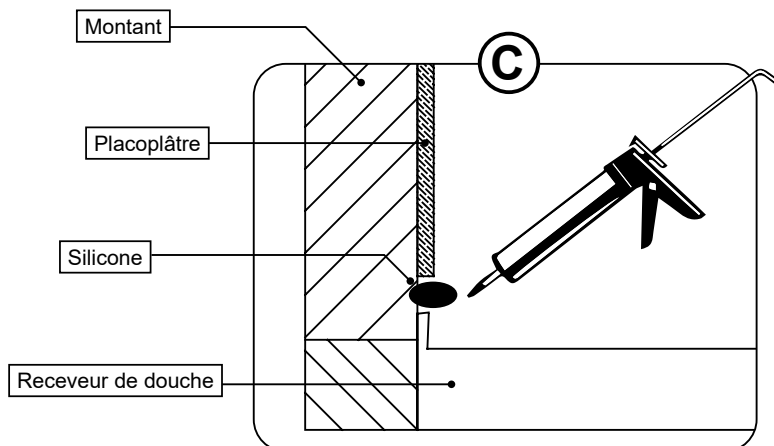
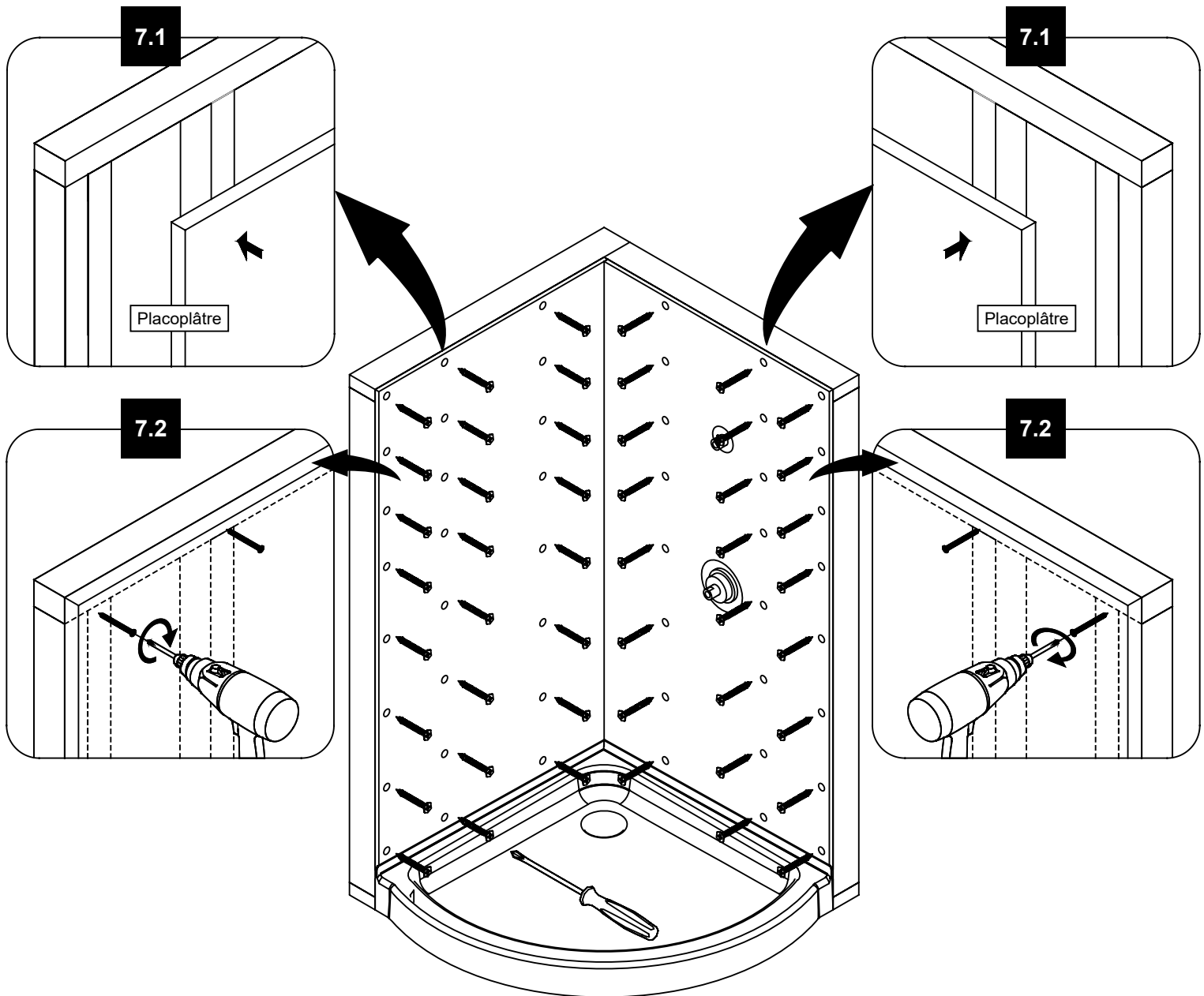
6.1

**INDICATION UTILE!**

Une mèche de scie à trous de la taille appropriée peut être louée dans votre magasin de location d'outils local.

7.1-7.2. Fixez les cloisons sèches aux montants à l'aide de vis à cloison sèche. Suivez les exigences du code du bâtiment en vigueur.

7.3. Notez que les cloisons sèches doivent reposer sur la bride de la base de la douche et être scellées ensemble avec un cordon de silicone.



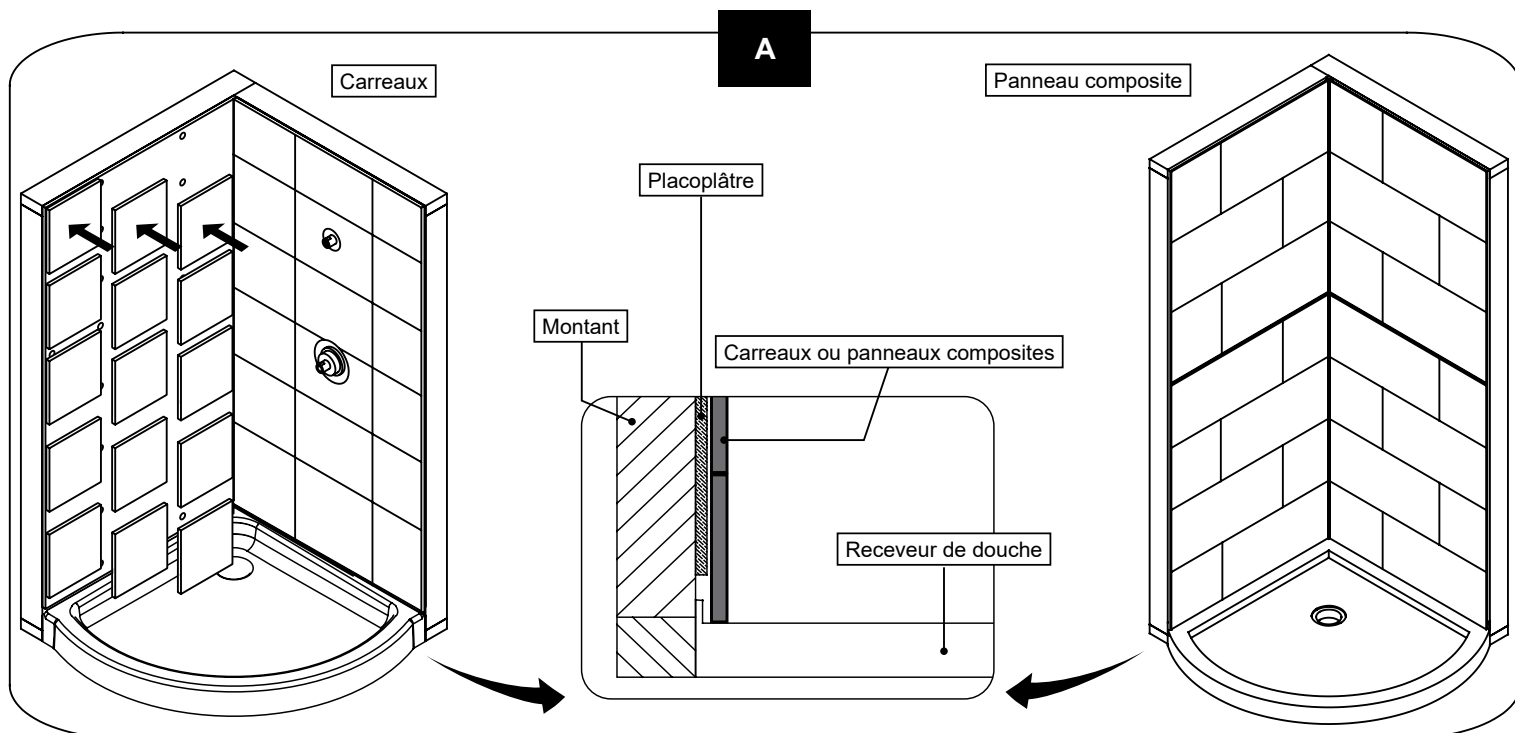


INSTALLATION DE CARREAUX OU DE PAROIS DE DOUCHE

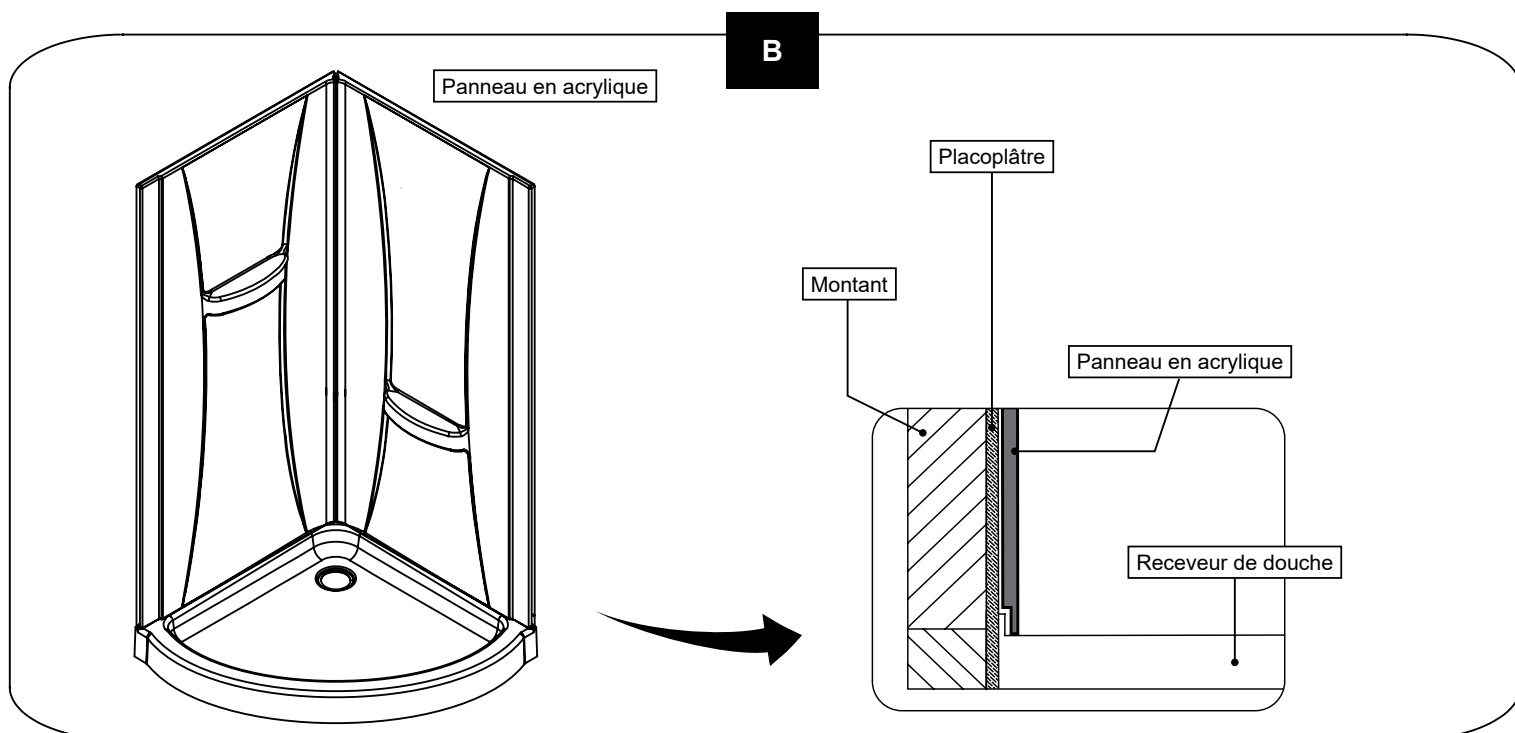


- Si vos murs sont en carreaux ou en panneaux composites (**Option A**), passez à la page suivante. Si vous utilisez les panneaux acryliques fournis, passez à (**Option B**) à la page 25.
- Veillez consulter les images ci-dessous pour l'OPTION (A), l'OPTION (B).**

Kit de douche : Porte de douche + base de douche



Kit de douche : Porte de douche + Base de douche + Mur de douche

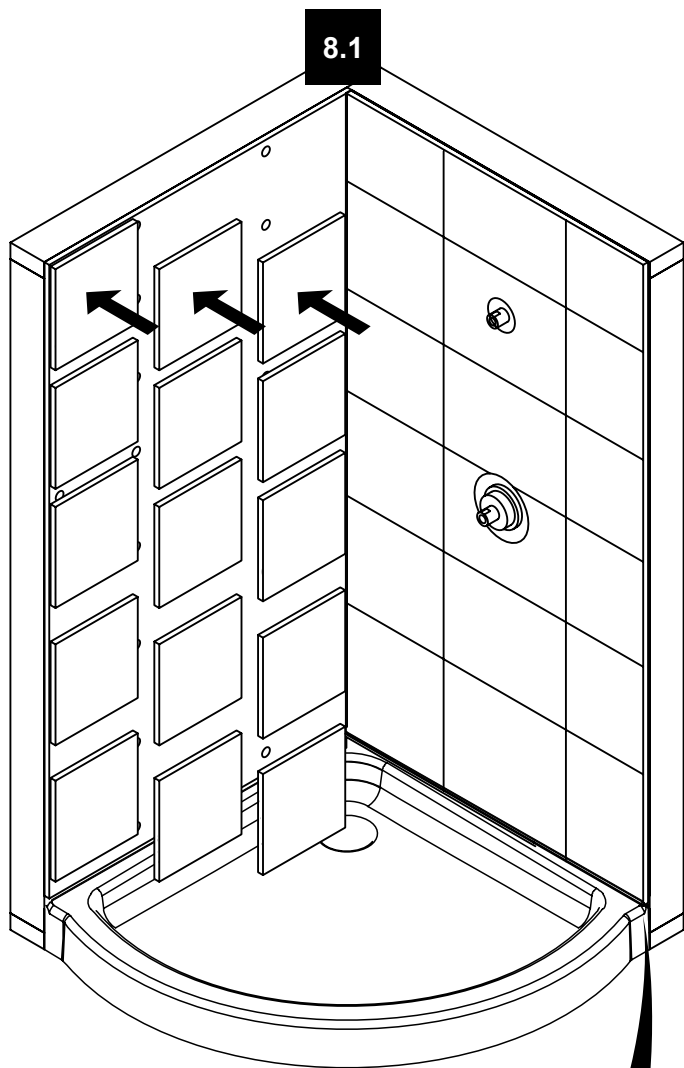


- 8.1. Installez les carreaux sur votre mur.
8.2. Scellez tous les joints avec du silicone.

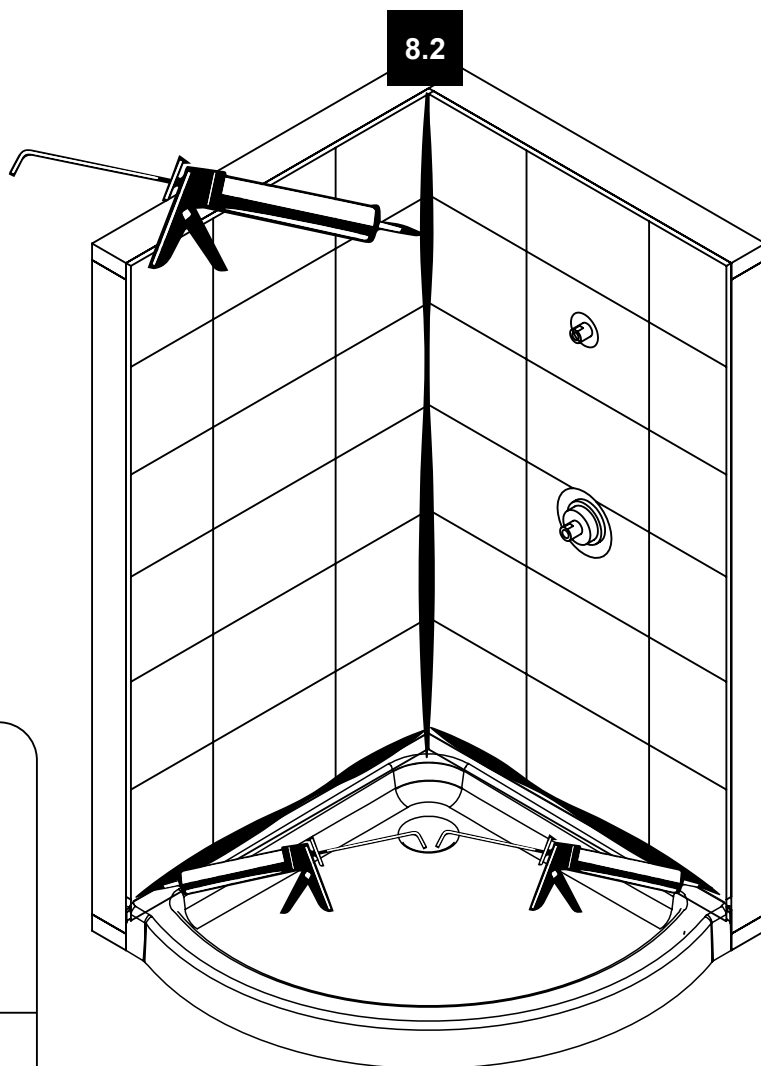


CONTINUEZ CETTE INSTALLATION À L'ÉTAPE#1 DE LA PAGE D'INSTALLATION DE LA CABINE DE DOUCHE

8.1



8.2



Montant

Placoplâtre

Carreaux

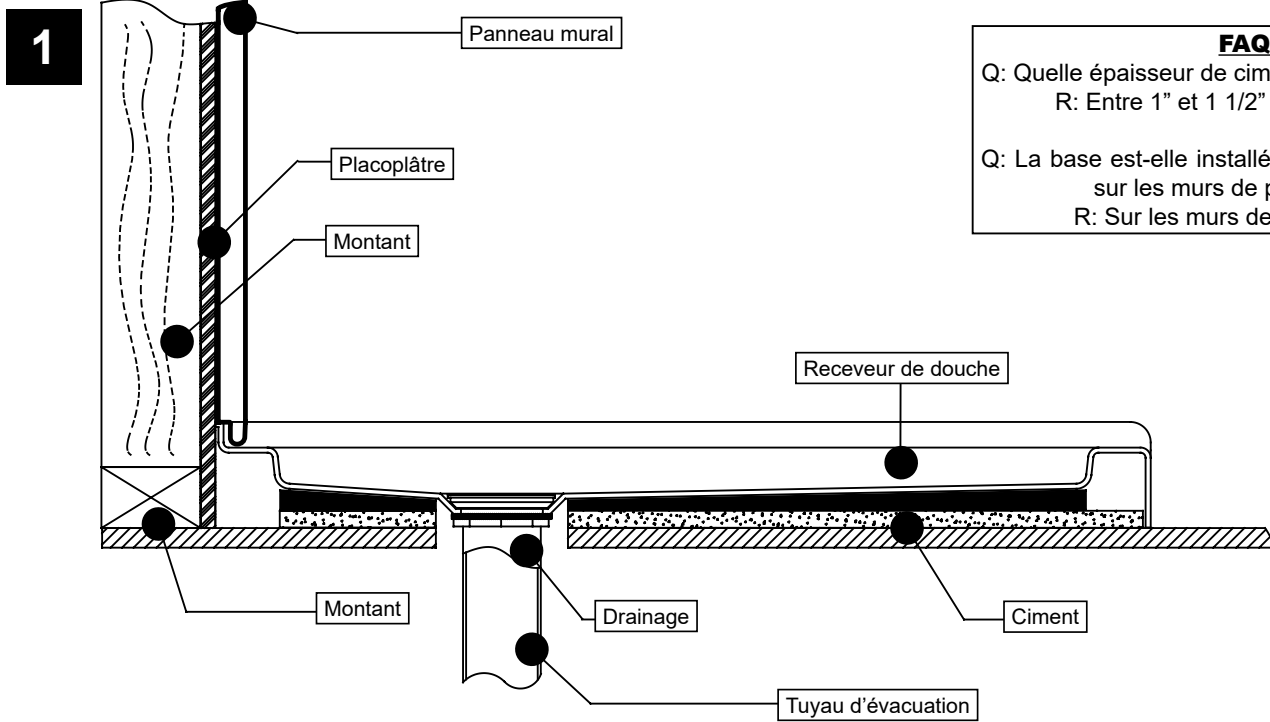
Receveur de douche

B

VUE D'ENSEMBLE DE L'INSTALLATION DE BASE (OPTION B)

1. Avant de commencer l'installation de votre produit, consultez l'illustration 1 ci-dessous montrant une vue latérale de l'installation terminée.
2. L'illustration 2 montre la structure du mur et les mesures recommandées pour l'installation du produit.

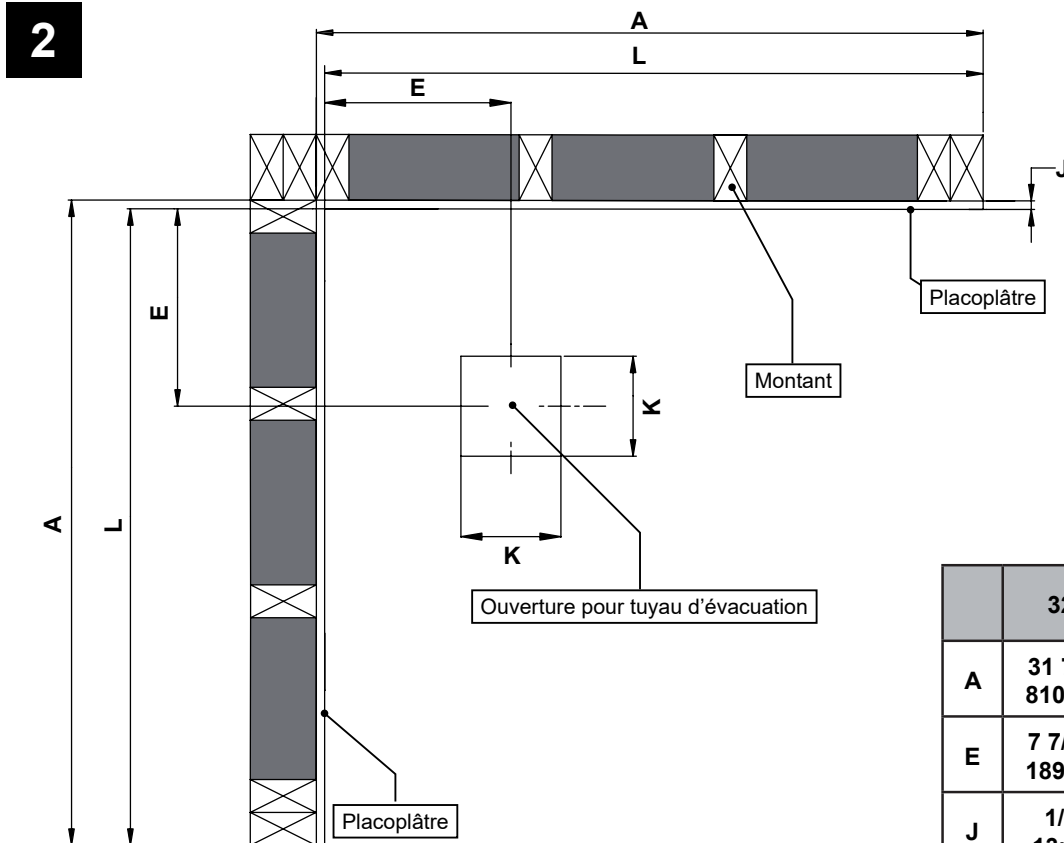
REMARQUE : Le client doit suivre et respecter les codes locaux et nationaux de construction et de plomberie. Toutes les illustrations de ce manuel sont fournies à titre de référence uniquement et ne prévalent sur aucun code ou règlement. Il est recommandé que ce produit soit installé par un professionnel.



FAQ

Q: Quelle épaisseur de ciment dois-je appliquer ?
R: Entre 1" et 1 1/2" (2.5 et 3.8 cm).

Q: La base est-elle installée sur les montants ou sur les murs de placoplâtre ?
R: Sur les murs de placoplâtres.



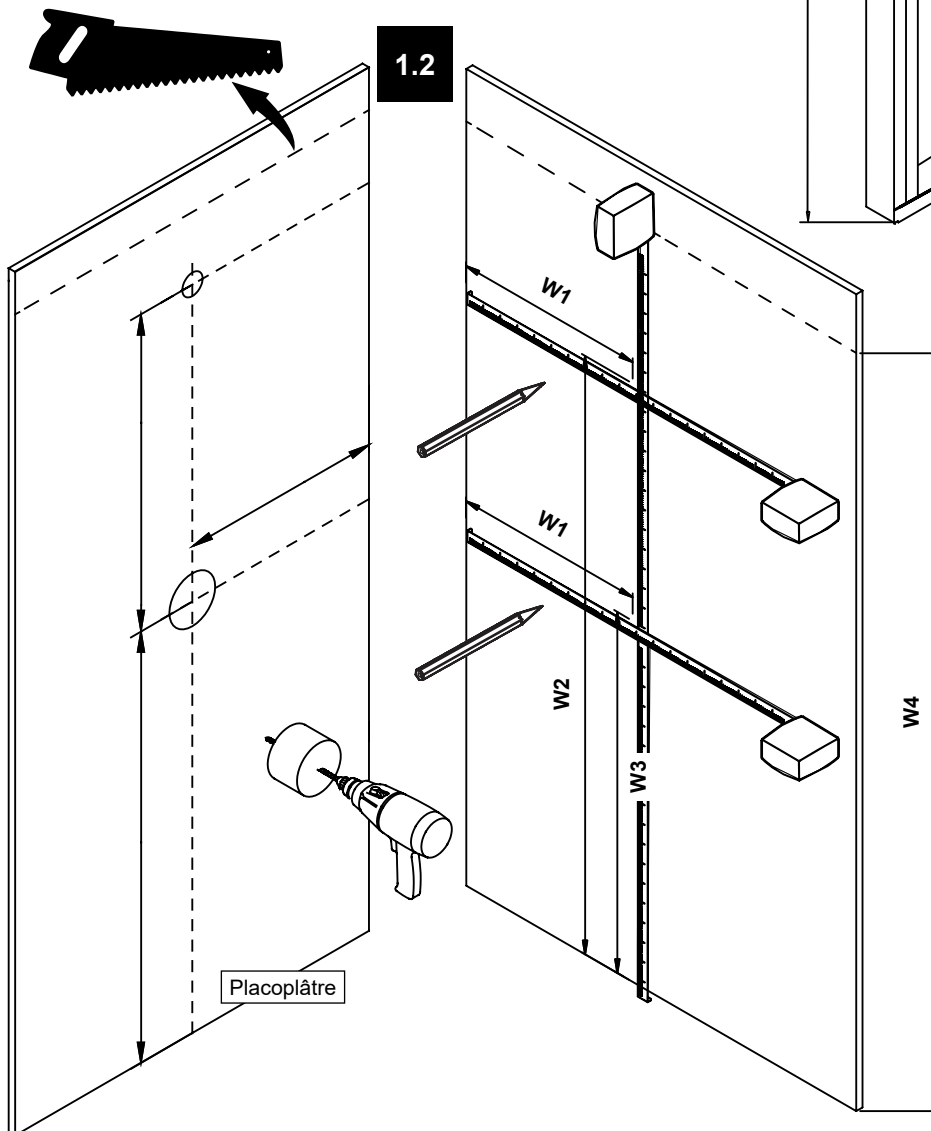
	32"	34"	36"	38"
A	31 7/8" 810mm	33 7/8" 860mm	35 15/16" 913mm	37 13/16" 960mm
E	7 7/16" 189mm	7 1/4" 184mm	12 3/8" 314mm	11 5/8" 296mm
J	1/2" 13mm	1/2" 13mm	1/2" 13mm	1/2" 13mm
K	6" 152mm	6" 152mm	6" 152mm	6" 152mm
L	31 9/16" 815mm	33 9/16" 865mm	35 1/2" 915mm	37 1/2" 965mm

- 1.1. Mesurez l'emplacement de la vanne de douche et du bras de douche existants dans le mur, comme illustré par les mesures W1, W2, W3 et W4 ci-dessous.
 1.2. Avant d'installer vos cloisons sèches, percez des trous aux emplacements mesurés pour la plomberie existante sur le mur. Utilisez une scie cloche pour découper proprement la cloison sèche. Coupez également les cloisons sèches à la bonne hauteur.

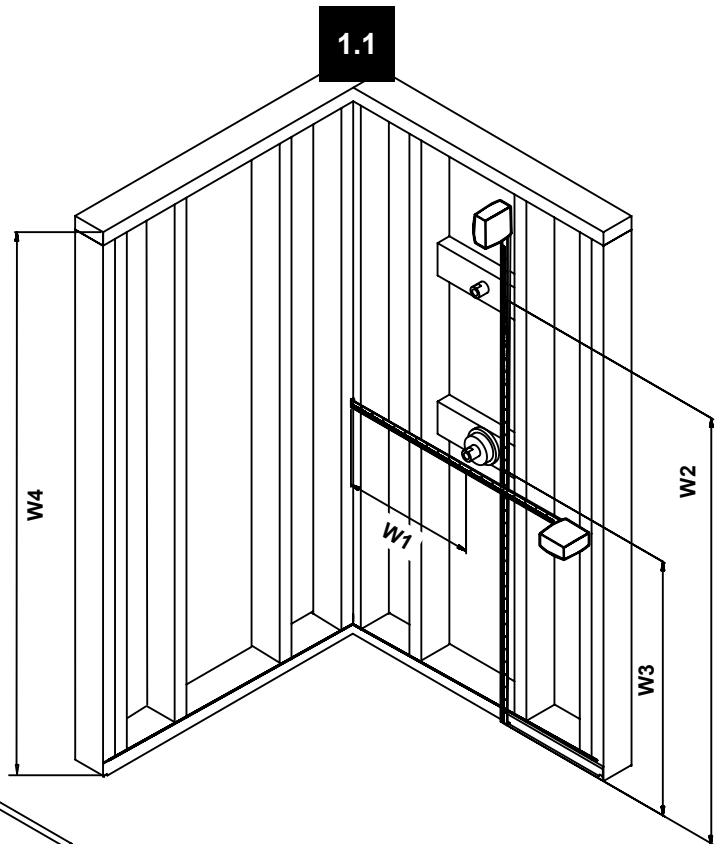
NON FOURNI!

Les montants, les cloisons sèches et les vis pour cloisons sèches ne sont pas fournis.

1.2

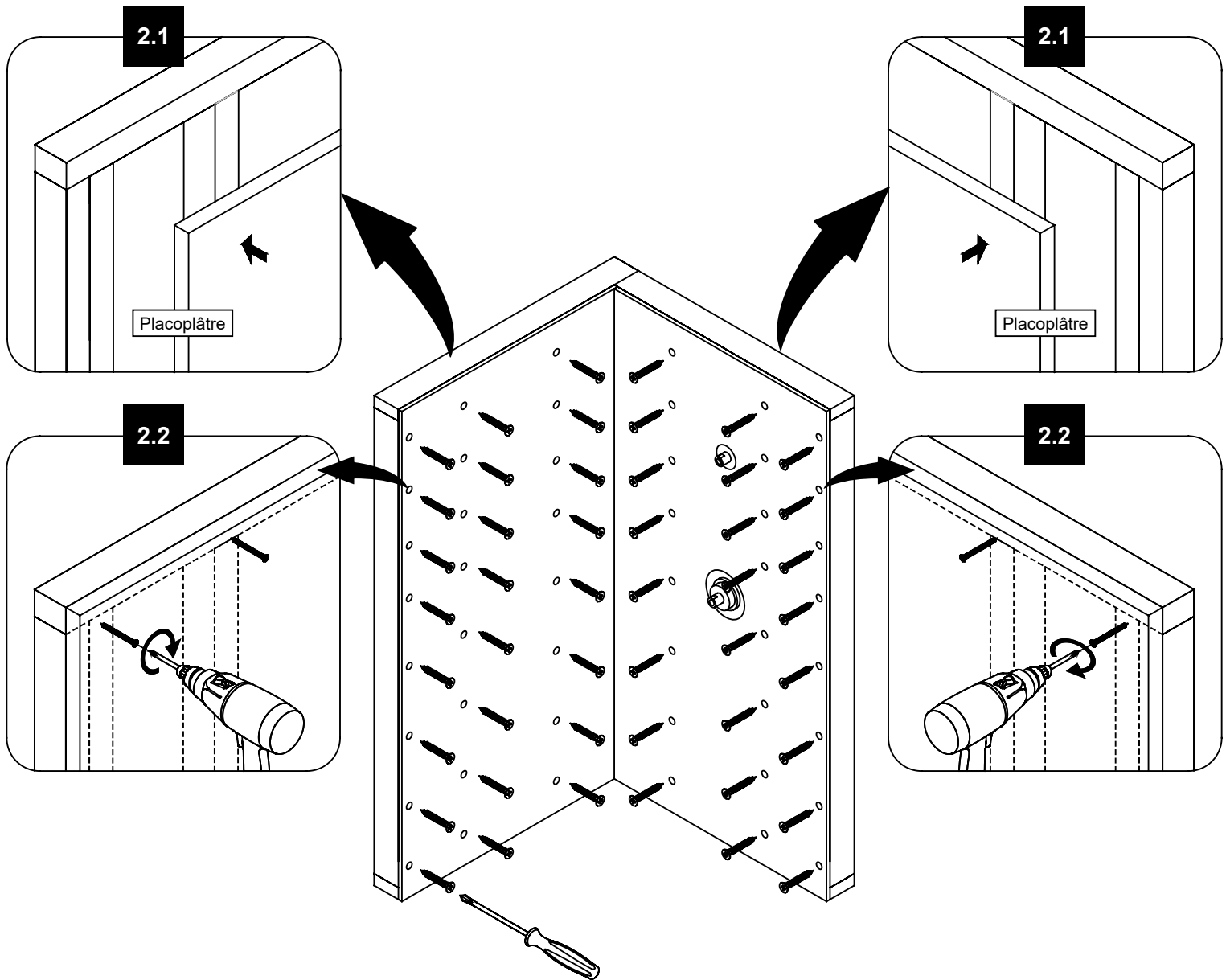


1.1

**INDICATION UTILE!**

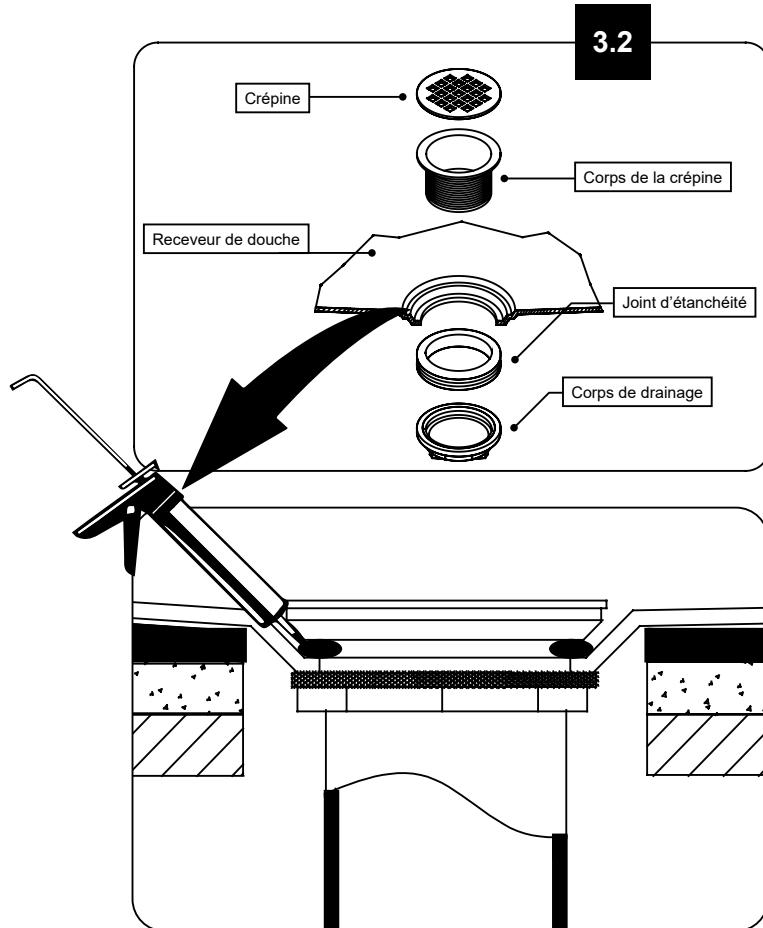
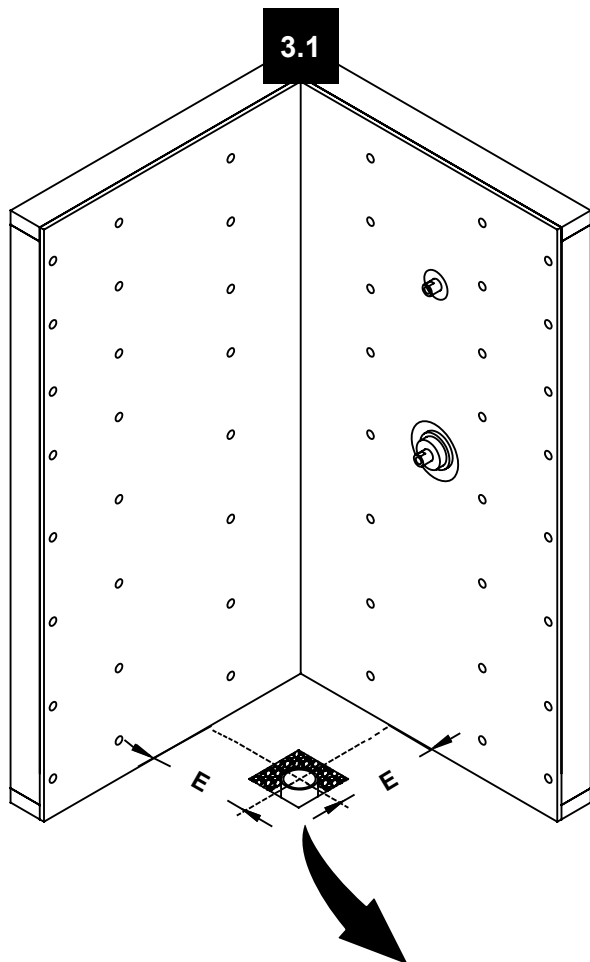
Une mèche de scie à trous de la taille appropriée peut être louée dans votre magasin de location d'outils local.

2.1-2.2. Fixez les cloisons sèches aux montants à l'aide de vis à cloison sèche. Suivez les exigences du code du bâtiment en vigueur.

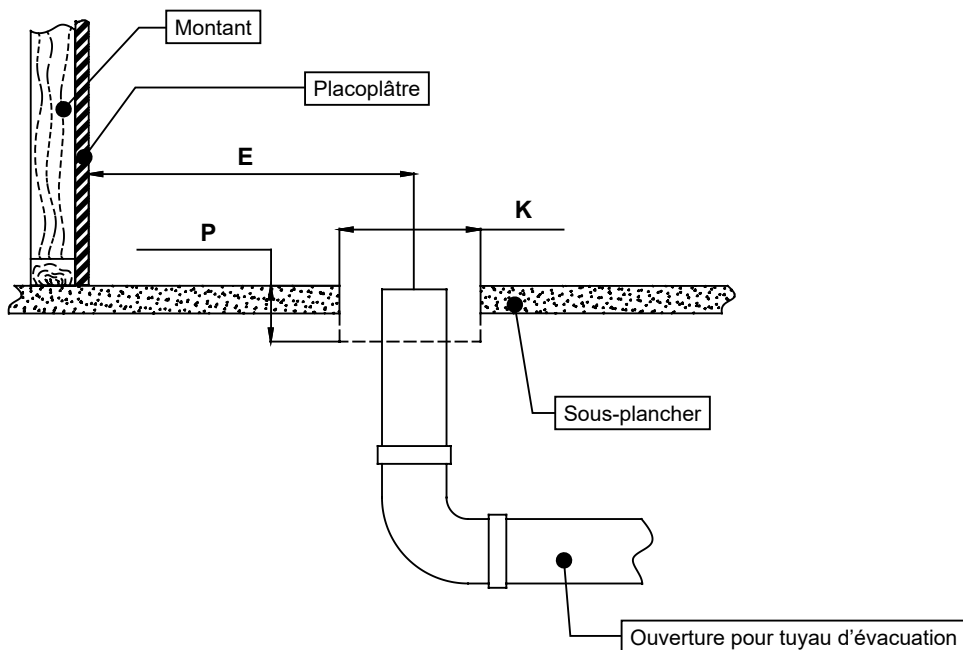


3.1. Assurez-vous que la plomberie du tuyau d'évacuation est terminée.

3.2. Le drain de douche n'est pas fourni, ces illustrations ne sont données qu'à titre indicatif. Il est recommandé de vérifier l'installation du drain auprès du fabricant avant de poursuivre. En général, le corps du drain doit être scellé sur le tuyau d'évacuation avant de poursuivre l'installation de la base. Une fois l'installation de la base terminée, le corps de la crépine est vissé dans le corps du drain. Appliquez du silicone sous le corps de la crépine pour réduire les risques de fuites.



	32"	34"	36"	38"
E	7 7/16" 189mm	7 1/4" 184mm	12 3/8" 314mm	11 5/8" 296mm
K	6" 152mm	6" 152mm	6" 152mm	6" 152mm
P	2 1/4" 57mm	2 1/4" 57mm	2 1/4" 57mm	2 1/4" 57mm



NON FOURNI!

La bonde de douche et le tuyau d'évacuation ne sont pas fournis.

4.1. Appliquez du ciment (d'une épaisseur de 1 po à 1 1/2 po) [2,5 à 3,8 cm] sur le contour tracé de la base de la douche. Cela aidera à niveler la base lors des étapes suivantes. L'épaisseur de la couche de ciment varie en fonction de votre sol.

4.2. Avant de poser la base de douche sur le ciment, il est recommandé de recouvrir le ciment d'une fine feuille de polyéthylène (1/16 po [2 mm]). Cela empêchera la base d'être collée de façon permanente au ciment et permettra des ajustements futurs si nécessaire.

4.3. Mettez la base de douche à niveau.

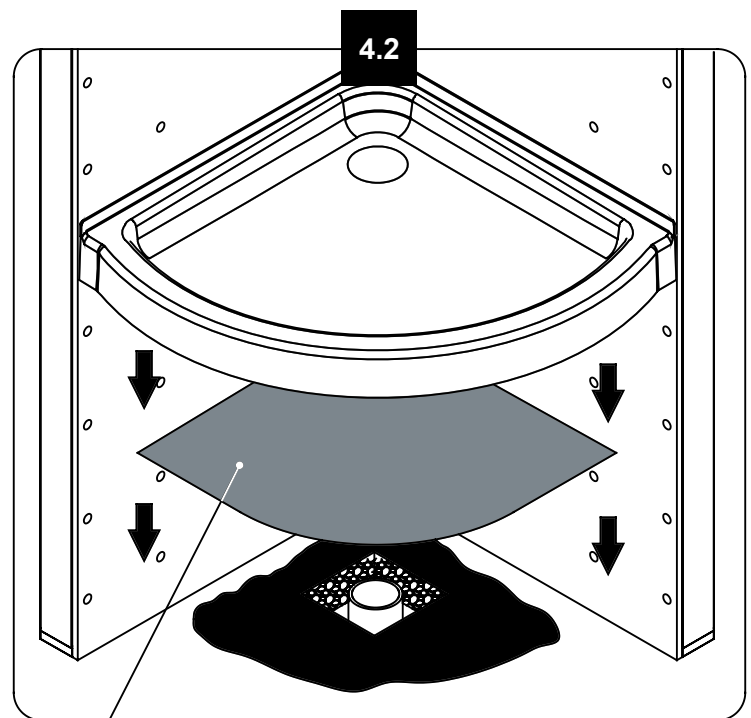
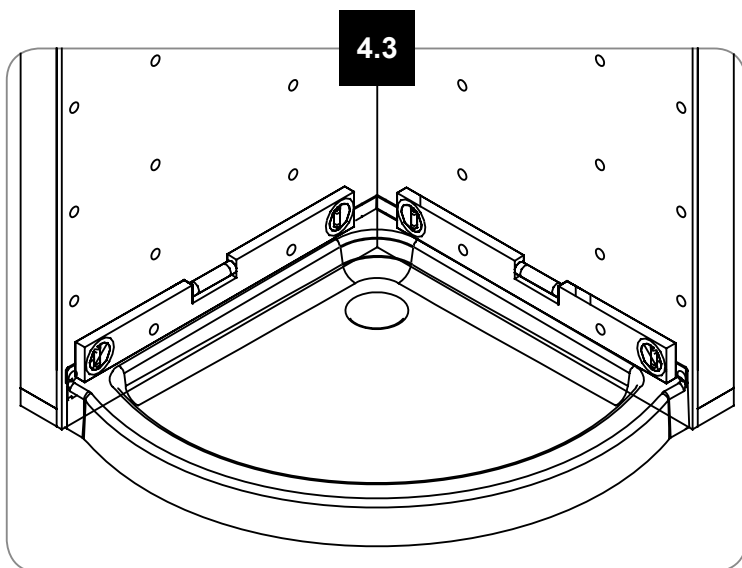
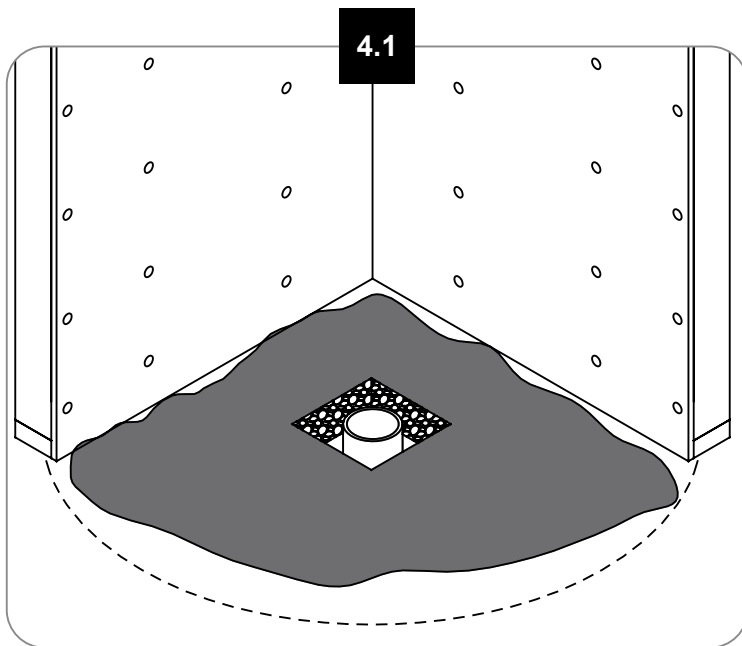
NON FOURNI!

Le ciment et la feuille de polyéthylène ne sont pas fournis.

FAQ

Q: Quelle épaisseur de ciment dois-je appliquer ?
R: Entre 1" et 1 1/2" (2.5 et 3.8 cm).

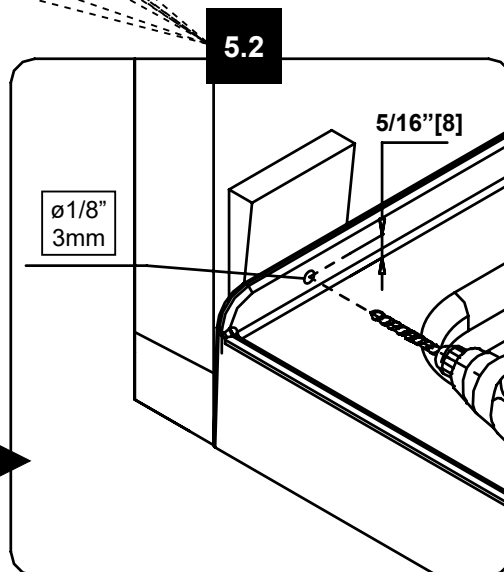
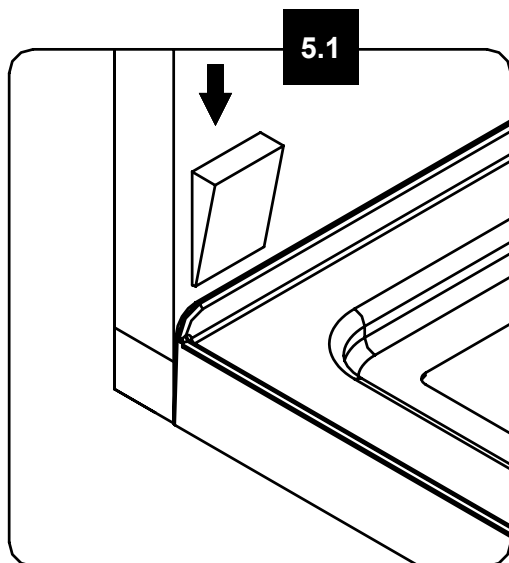
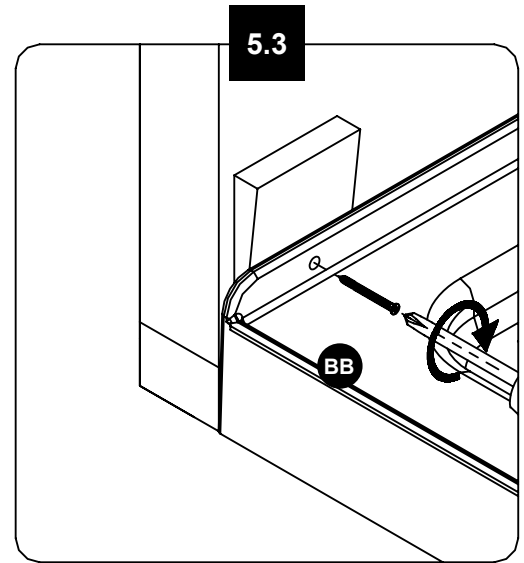
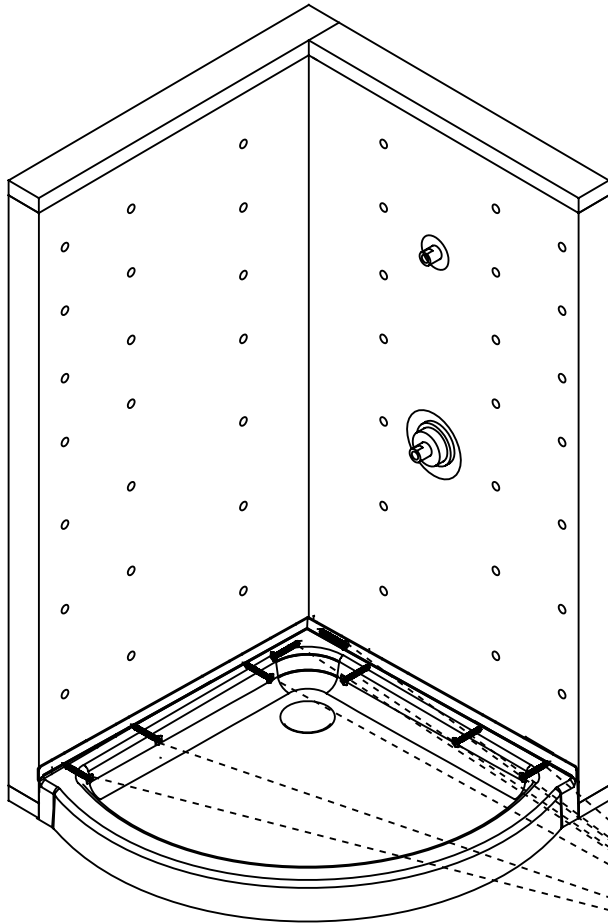
Q: La base est-elle installée sur les montants ou sur les murs de placoplâtre?
R: Sur les murs de placoplâtres.



Feuille de polyéthylène d'une épaisseur de 2 mm (1/16")

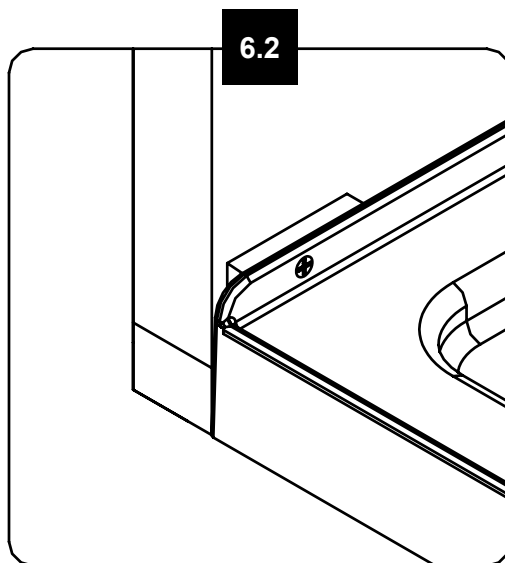
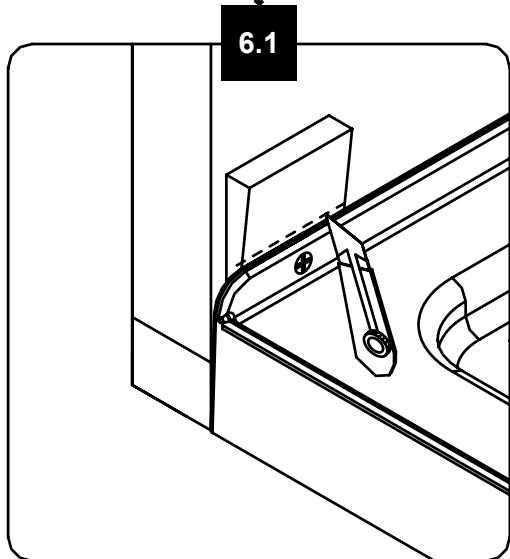
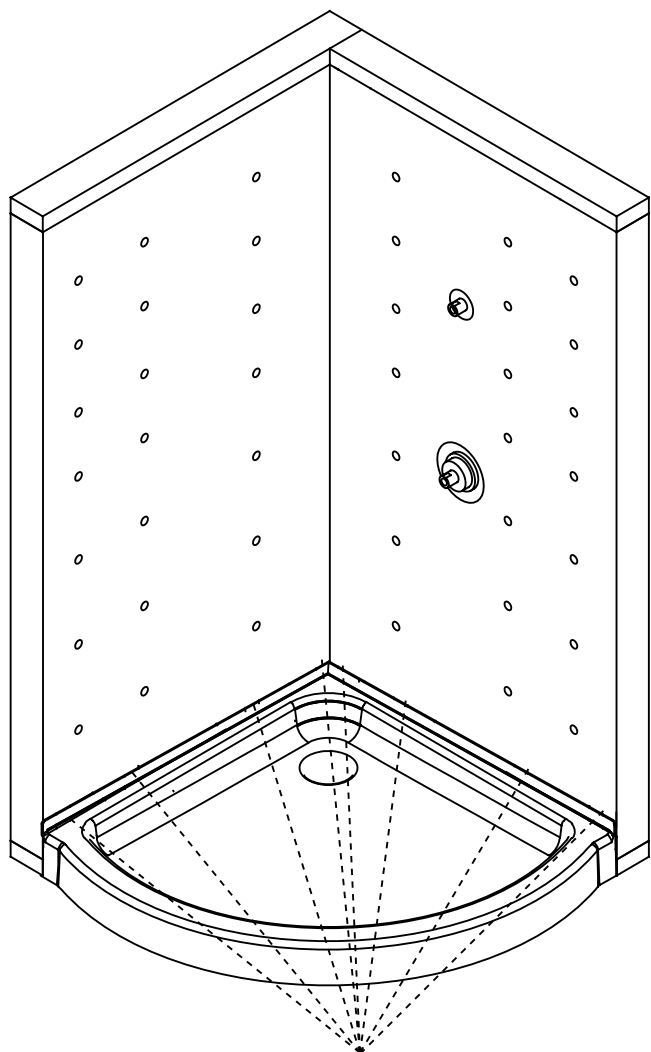
5.1. La bride de la base de la douche est légèrement inclinée de par sa conception. Aux endroits où vous visserez la base de la douche aux montants, il est recommandé d'utiliser des cales en bois pour combler l'espace entre la bride de la base et les montants.

5.2-5.3. Percez des trous de guidage et fixez la base de douche en la vissant aux montants. Il est recommandé de visser une vis par montant, et de viser le centre du montant.



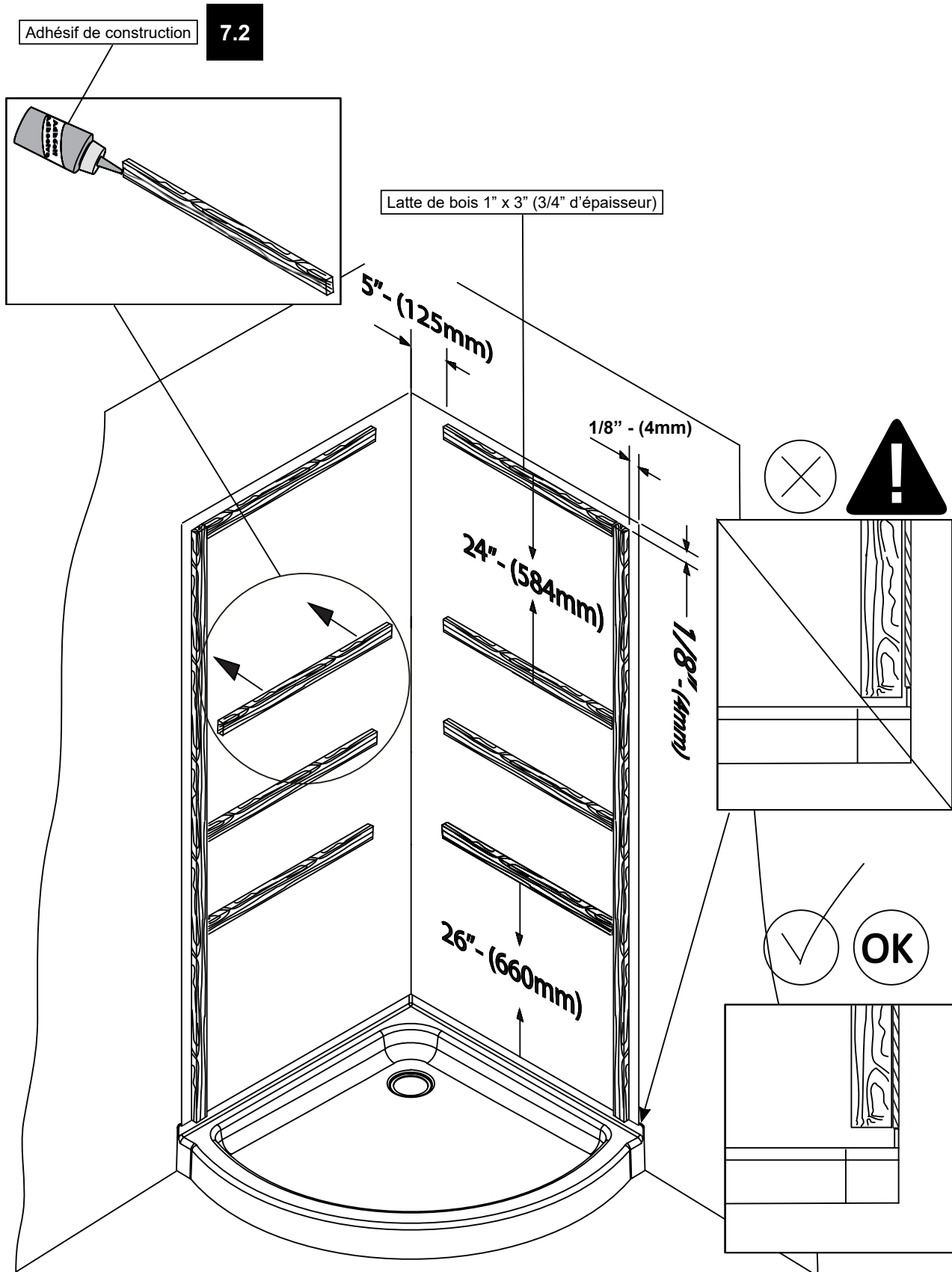
6.1. Coupez la partie saillante des cales en bois.

6.2. Laissez le ciment sécher pendant 24 heures avant de poursuivre.



7.1 Préparez une latte de bois de 1 x 3 en suivant le dessin basé sur la taille de la base de douche.

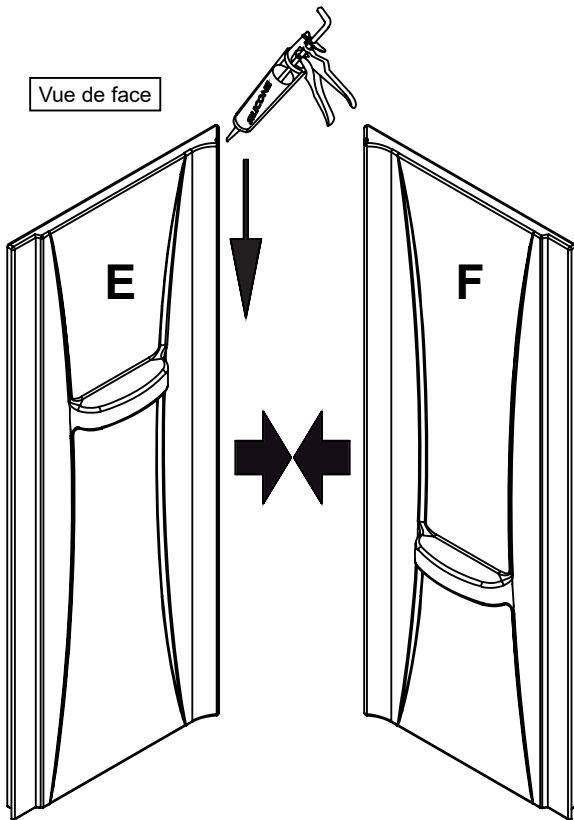
7.2 Installez la latte de bois comme illustré en utilisant de l'adhésif de construction ; vous pouvez également utiliser des vis ou des clous de construction pour installer les lattes de bois. Assurez-vous que la pièce verticale repose sur le dessus du niveau de la bride de la douche.



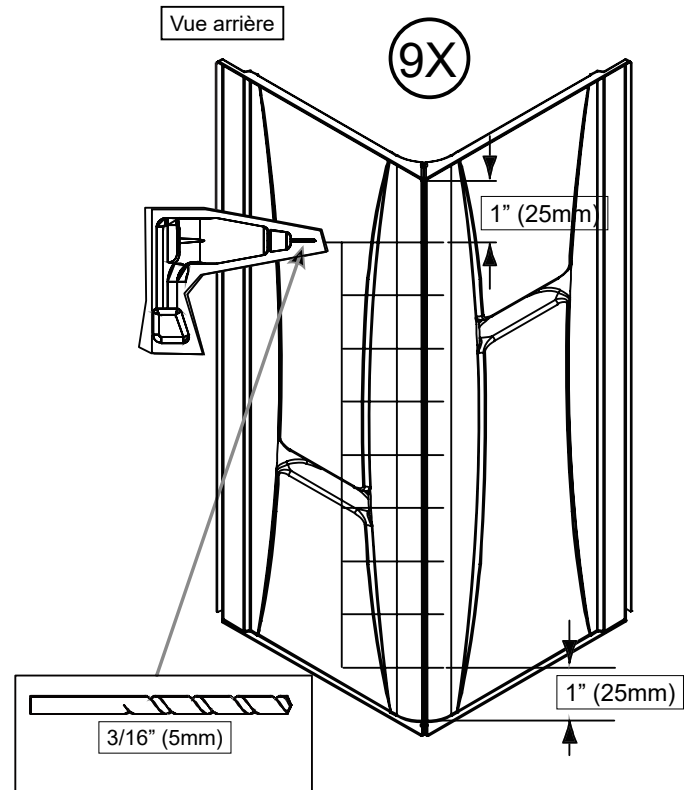
8.1 Appliquez un cordon de silicone le long de la rainure du panneau mural de gauche.

8.2 Derrière les panneaux muraux, en laissant un espace de 25 mm (1 po) entre le haut et le bas des panneaux muraux, percez 9 trous équidistants à l'aide d'une mèche de 5 mm (3/16 po) pour joindre les deux panneaux muraux.

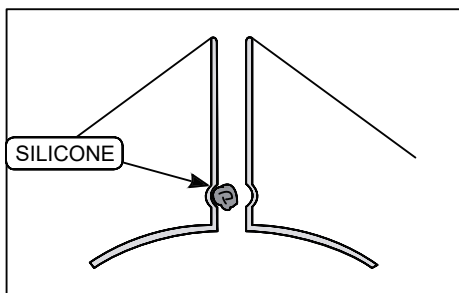
8.1



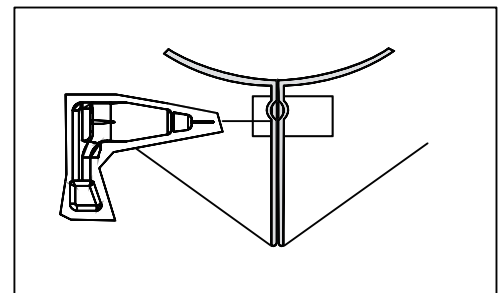
8.2



Vue de dessus



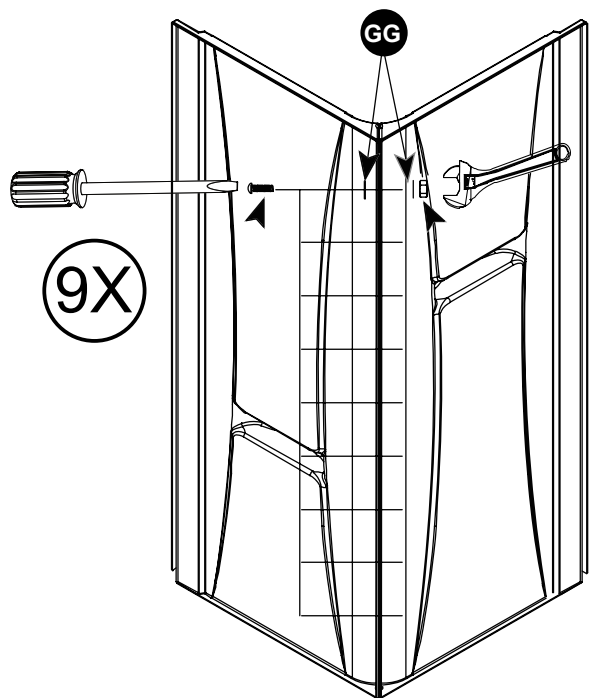
Vue de dessus



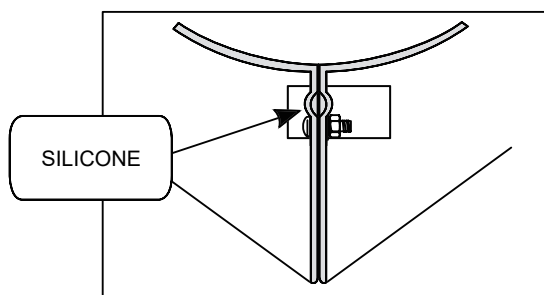
9.1. Vissez fermement les panneaux muraux ensemble avec les boulons, les rondelles et les écrous (GG).

9.2. Poussez fermement les panneaux muraux (E et F) sur les murs secs et le support de lattes de bois. Assurez-vous que les panneaux muraux sont alignés avec le bord de la base de la douche. Appliquez du silicone autour des bords de la paroi de douche en acrylique.

9.1



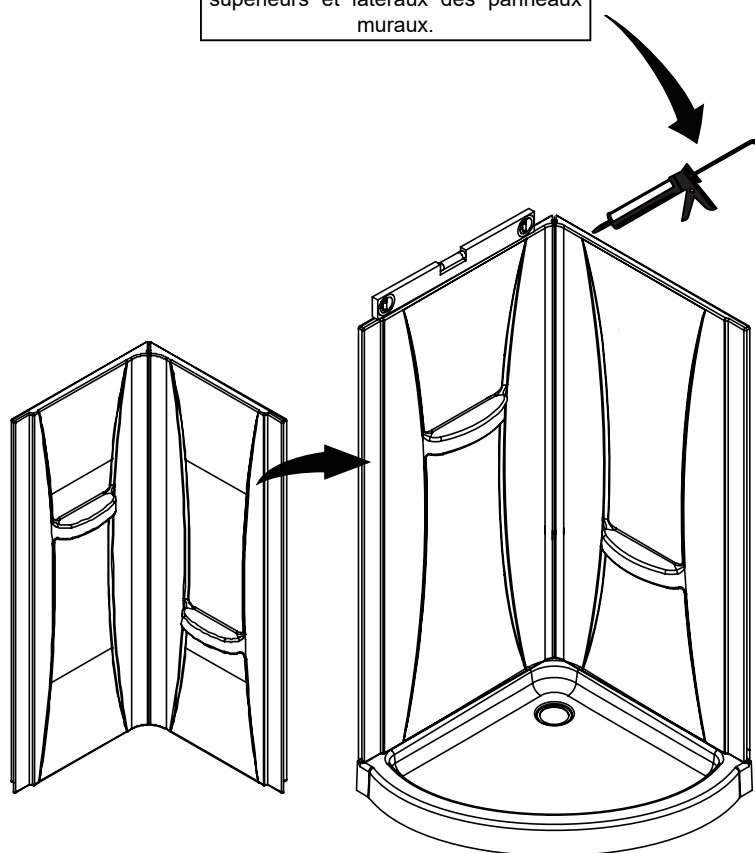
Vue de dessus



9.2

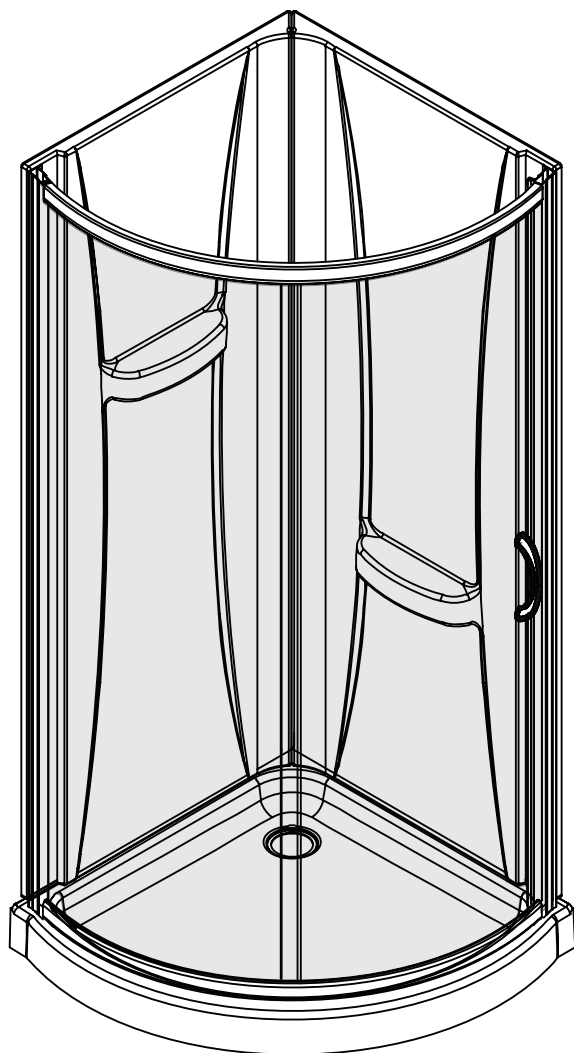
INDICATION UTILE!

Ajoutez du silicone sur les bords supérieurs et latéraux des panneaux muraux.

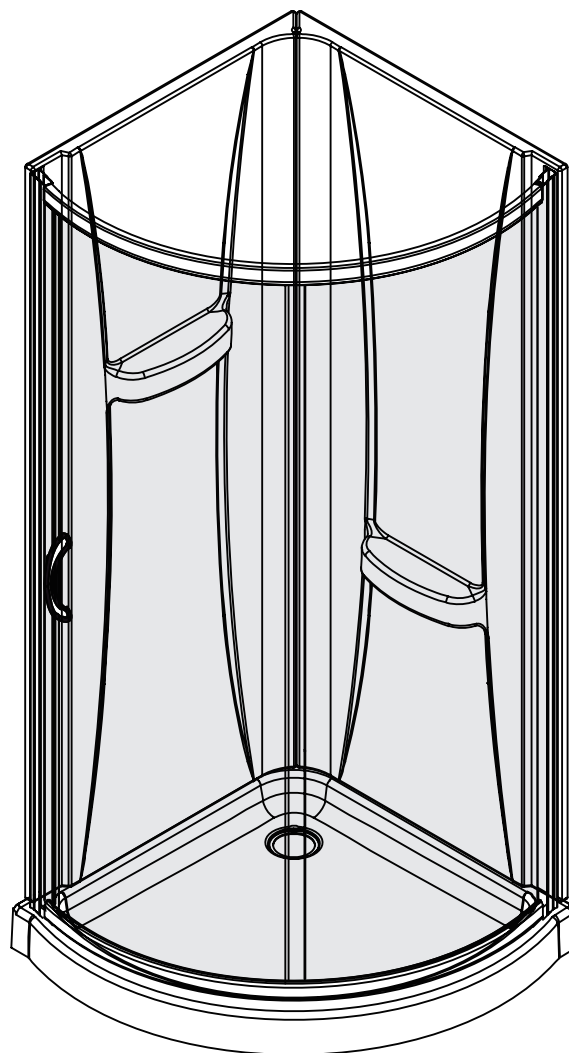




Dans cette installation, le panneau mural en acrylique (Option B) est uniquement utilisé comme référence pour l'installation.



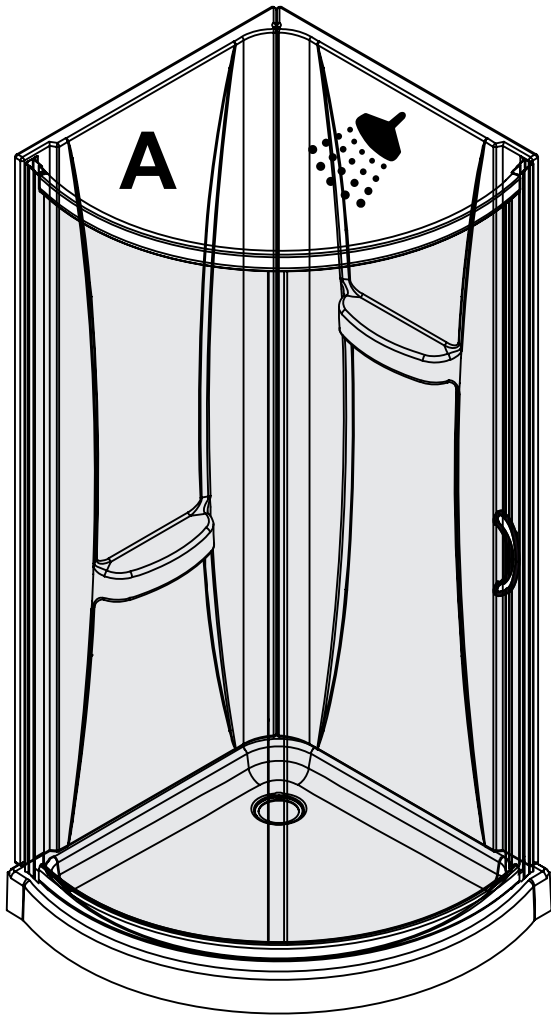
INSTALLATION DE LA PORTE DE DOUCHE
PANNEAU FIXE SUR LE CÔTÉ GAUCHE



INSTALLATION DE LA PORTE DE DOUCHE
PANNEAU FIXE SUR LE CÔTÉ DROIT

PRÉPARATION

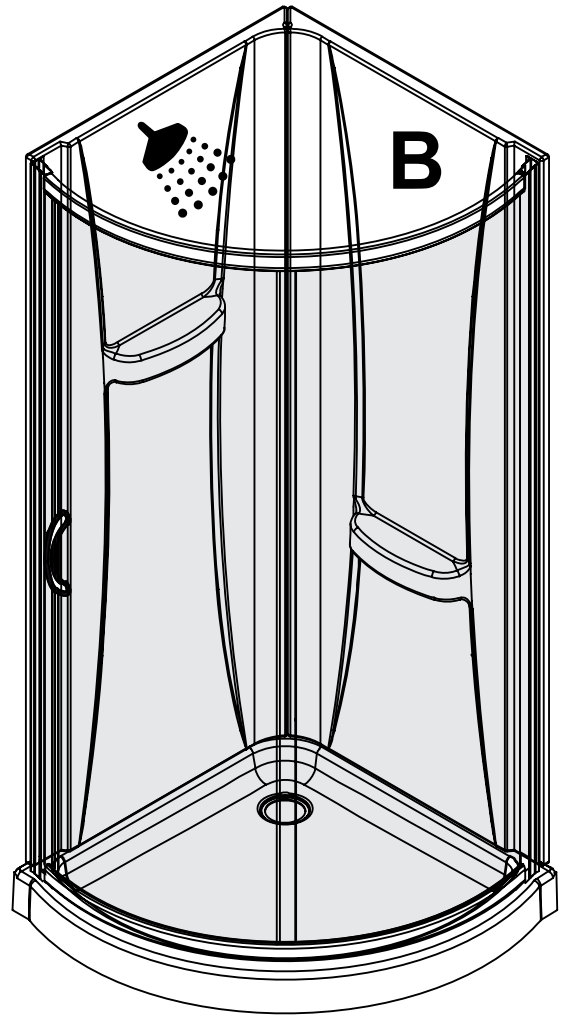
Cette instruction est rédigée pour une ouverture de porte de droite à gauche (voir illustration A).
Pour une installation pour une ouverture de porte de gauche à droite (voir illustration B), utilisez les mêmes instructions, mais intervertissez les panneaux : effet miroir.



FAQ

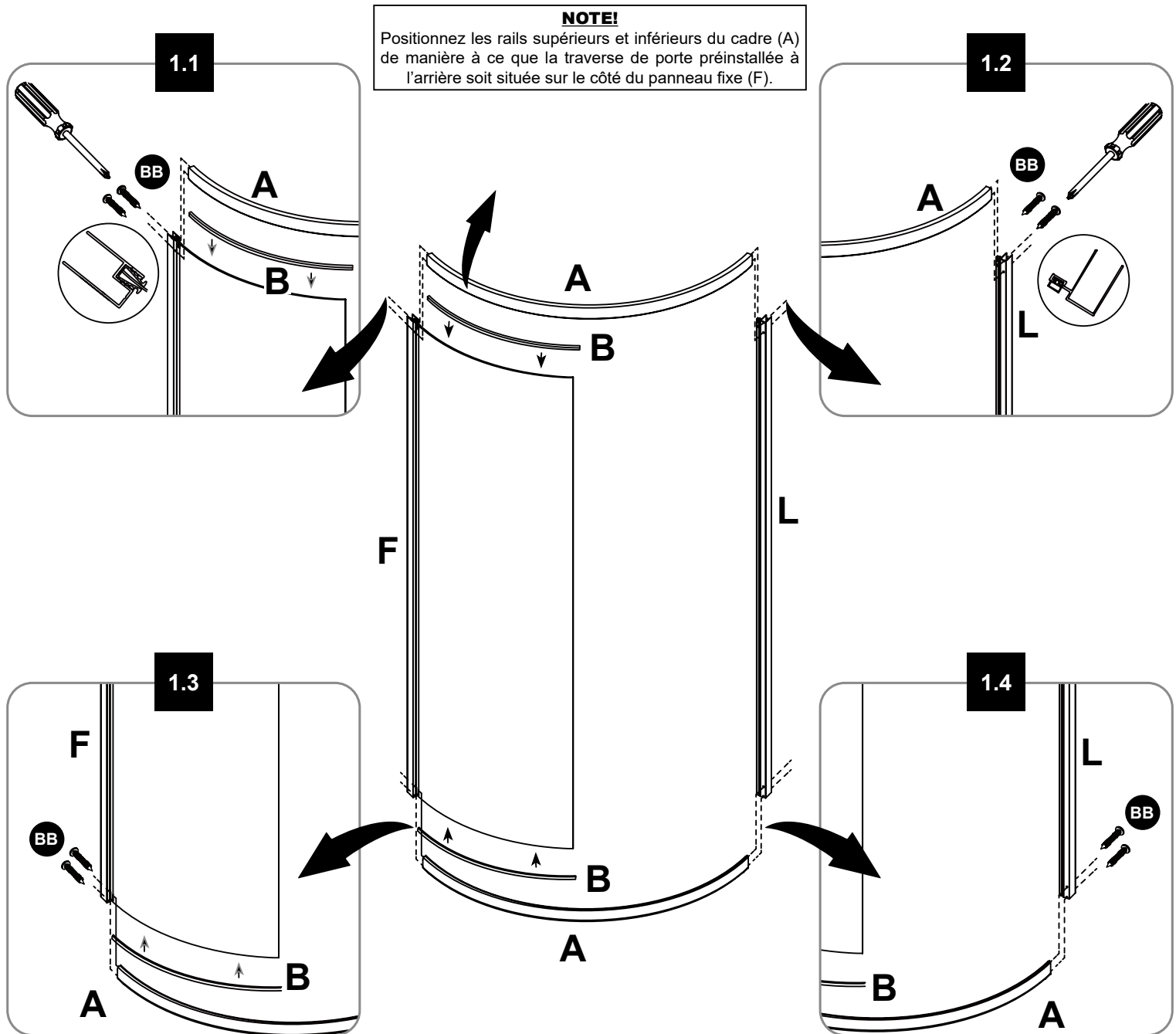
Q : Si la pomme de douche est installée sur l'autre mur, y aura-t-il des fuites ?

A : Il est possible d'installer votre pomme de douche de l'autre côté, mais nous vous recommandons fortement de l'installer comme illustré.

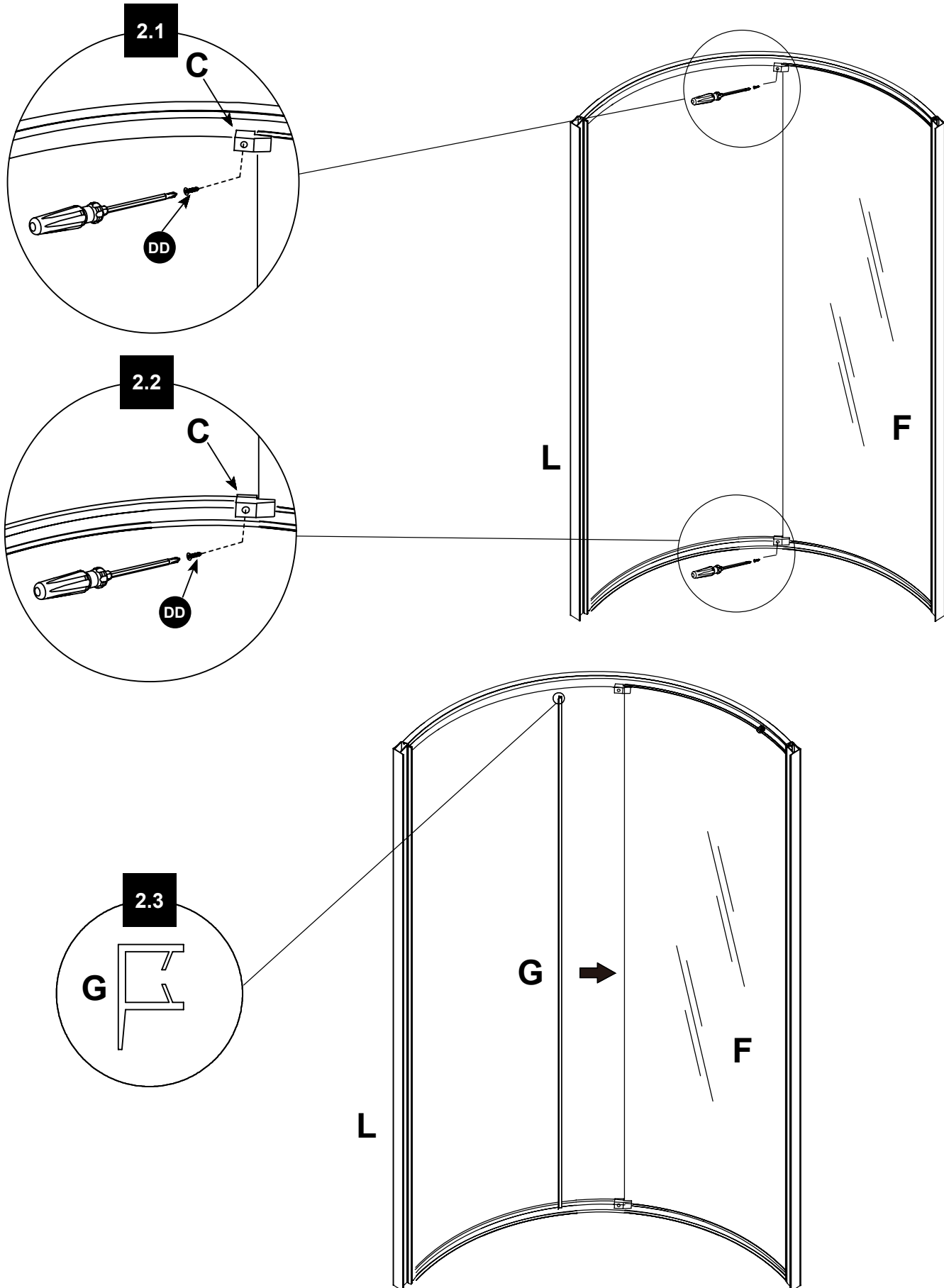


Installez la pomme de douche du côté de la porte comme indiqué sur l'illustration ! Cela réduira le risque de fuites.

- 1.1. Insérez la bande d'étanchéité du panneau fixe (B) sur le dessus du panneau fixe (F). Visser le côté supérieur gauche du panneau fixe (F) au rail du cadre (A) à l'aide des vis (BB).
- 1.2. Visser le côté supérieur droit du rail de la porte (L) au rail du cadre (A) à l'aide des vis (BB).
- 1.3. Insérer la bande d'étanchéité du panneau fixe (B) sur la partie inférieure du panneau fixe (F). Visser le côté inférieur gauche du panneau fixe (F) au rail du cadre (A) à l'aide des vis (BB).
- 1.4. Visser le côté inférieur droit du rail de la porte (L) au rail du cadre (A) à l'aide des vis (BB).

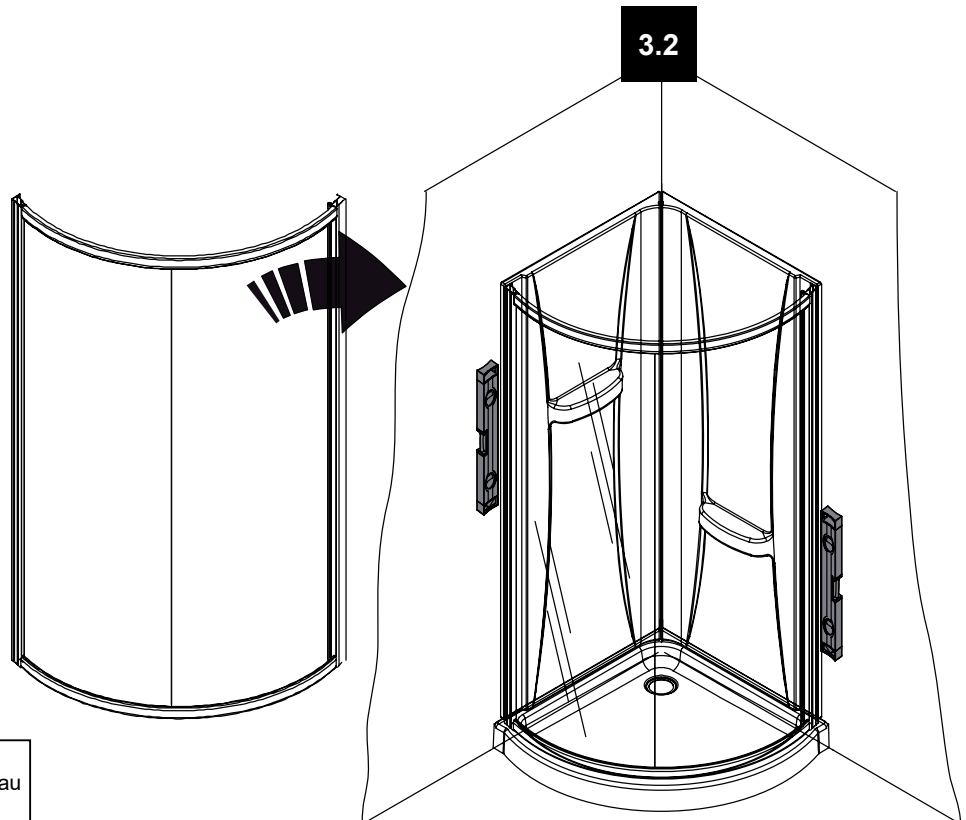
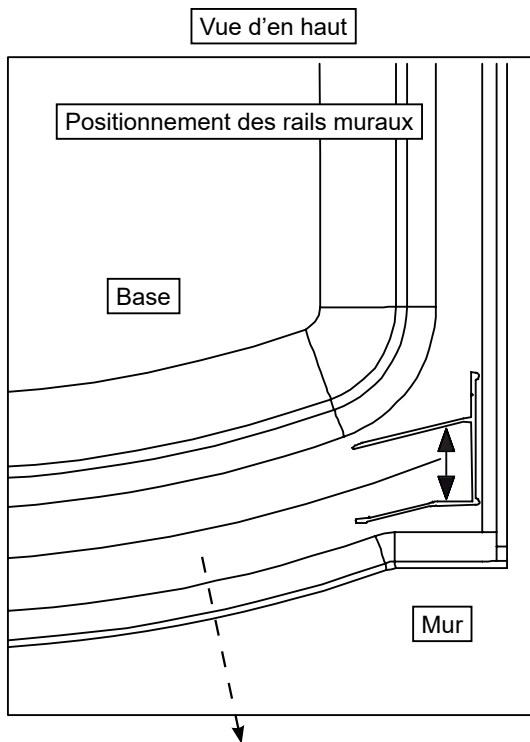
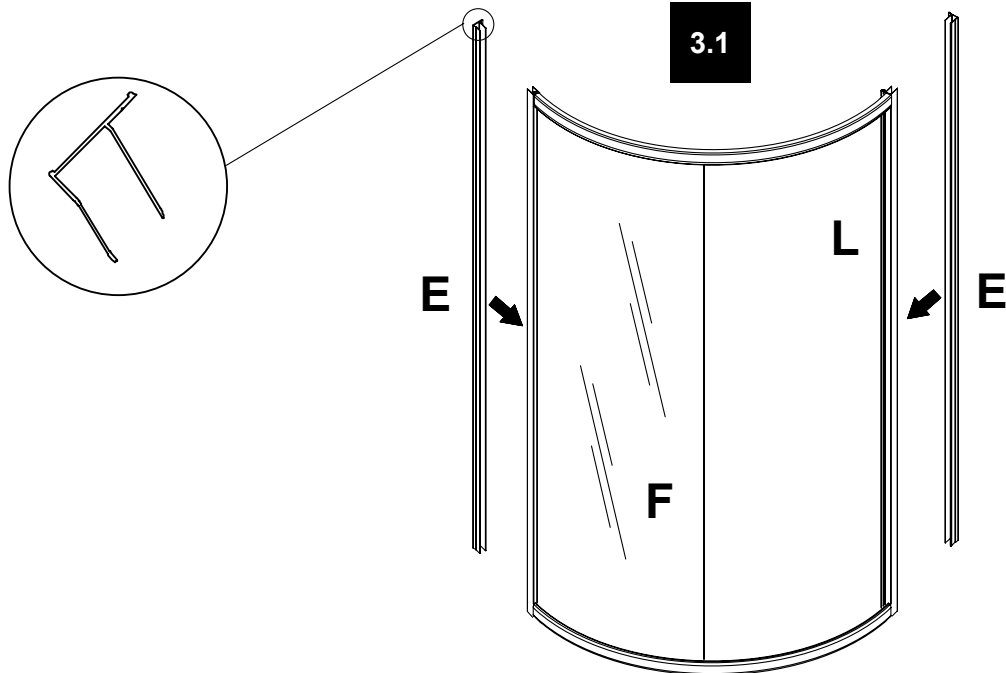


- 2.1-2.2. Fixez le panneau fixe (J) au cadre à l'aide des pinces (C). Fixez les étriers (C) à l'aide des vis (DD).
- 2.3. Insérez la bande d'étanchéité du panneau fixe (G) sur le panneau fixe (F).



3.1. Insérez les rails muraux (E) sur les côtés du cadre assemblé. Ne pas visser le rail mural à cette étape.

3.2. Prenez le cadre de douche assemblé et posez-le délicatement sur la base de douche installée. Assurez-vous que tout est de niveau. Positionnez le cadre de manière à ce que le centre du rail mural soit situé sur la ligne centrale de la base de douche, comme illustré ci-dessous.



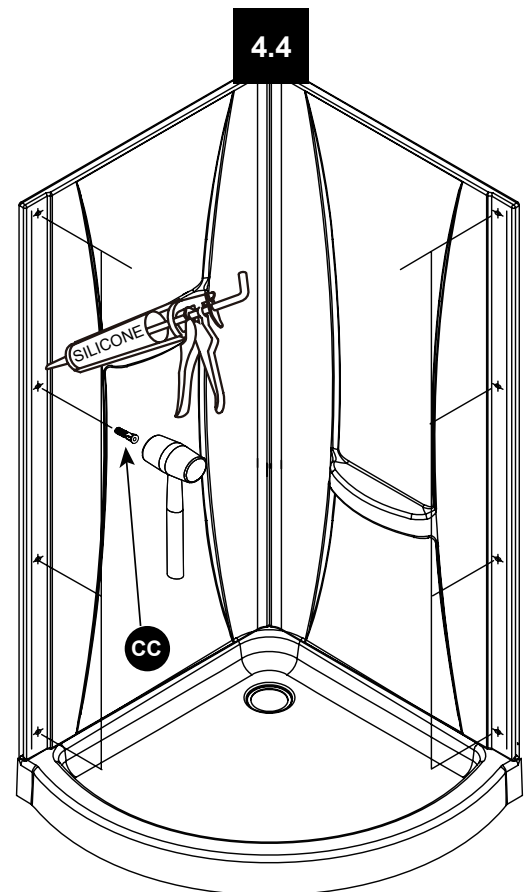
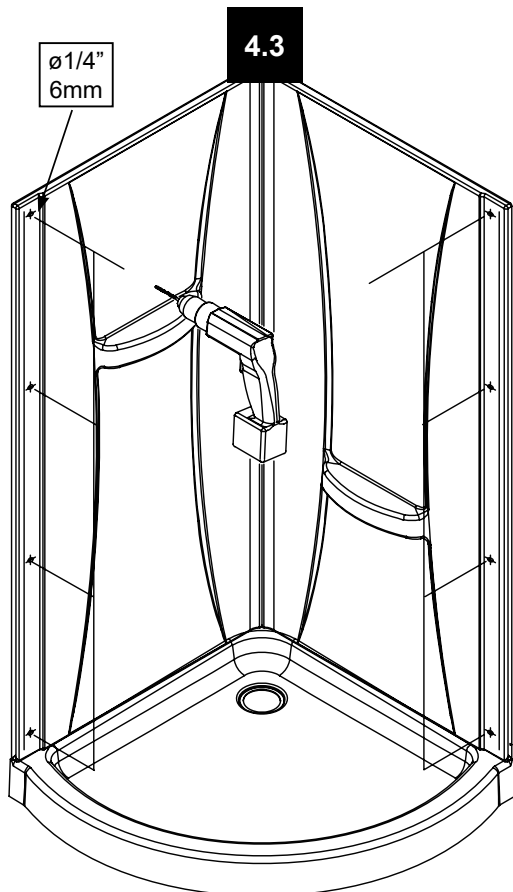
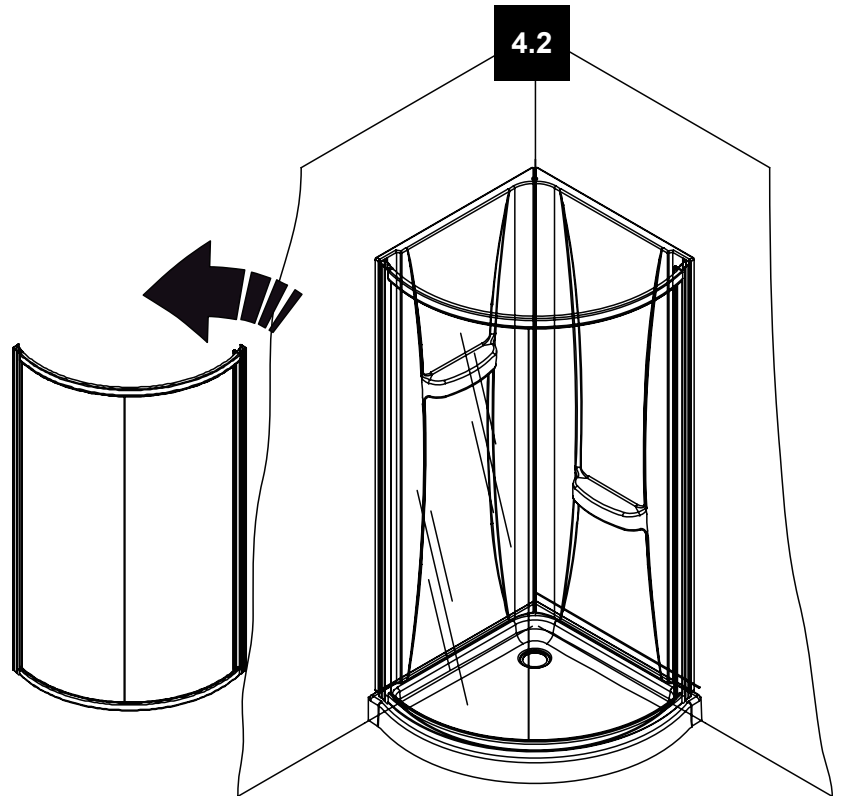
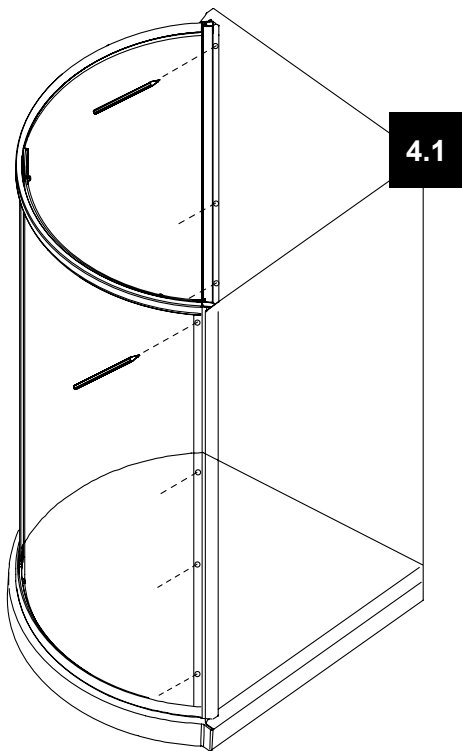
AVERTISSEMENT!

Le centre du rail mural, comme indiqué, doit être situé au centre du bord de la base de la douche.

4.1-4.2. Marquez les trous pré-perçés des rails muraux (E) sur le mur, puis retirez le cadre de douche assemblé de la base.

4.3. À l'aide d'une mèche de $\varnothing 1/4''$ (6 mm), percez des trous de guidage à l'emplacement marqué.

4.4. Insérez les ancrages muraux (CC) à l'aide d'un maillet en caoutchouc jusqu'à ce que les ancrages muraux soient au même niveau que le mur.



AVERTISSEMENT!

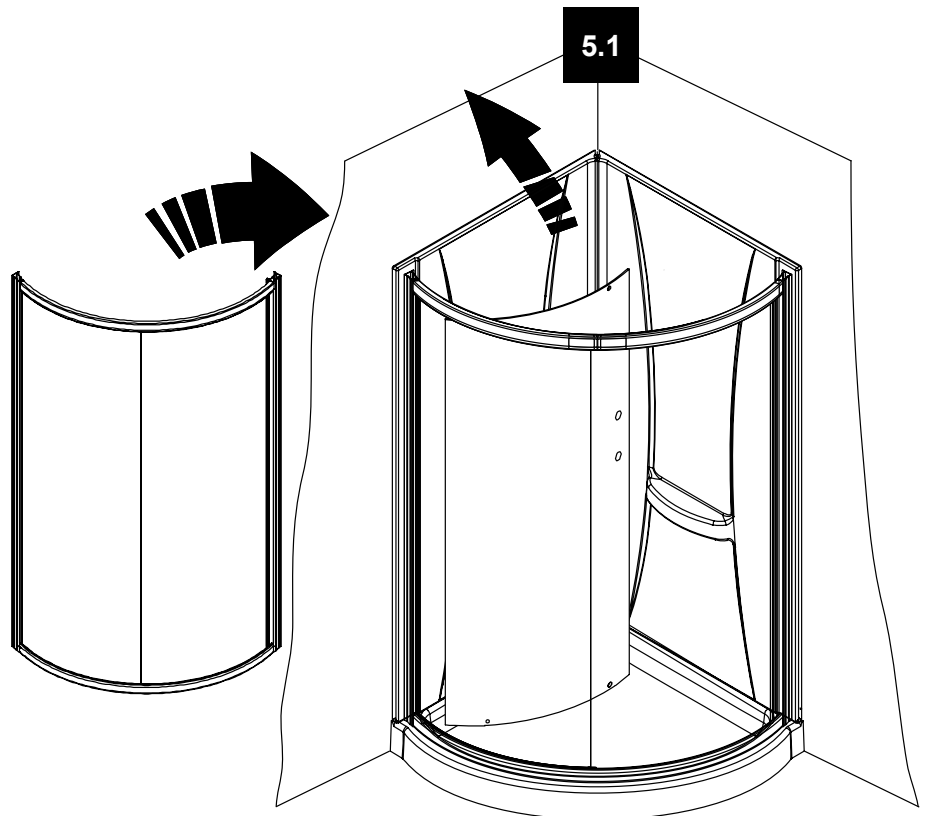
S'il n'y a pas de montants alignés sur le rail mural derrière la cloison sèche, utilisez les ancrages muraux pour vous assurer que les vis ne se desserreront pas.

5.1. Remettez le cadre de douche assemblé sur la base.

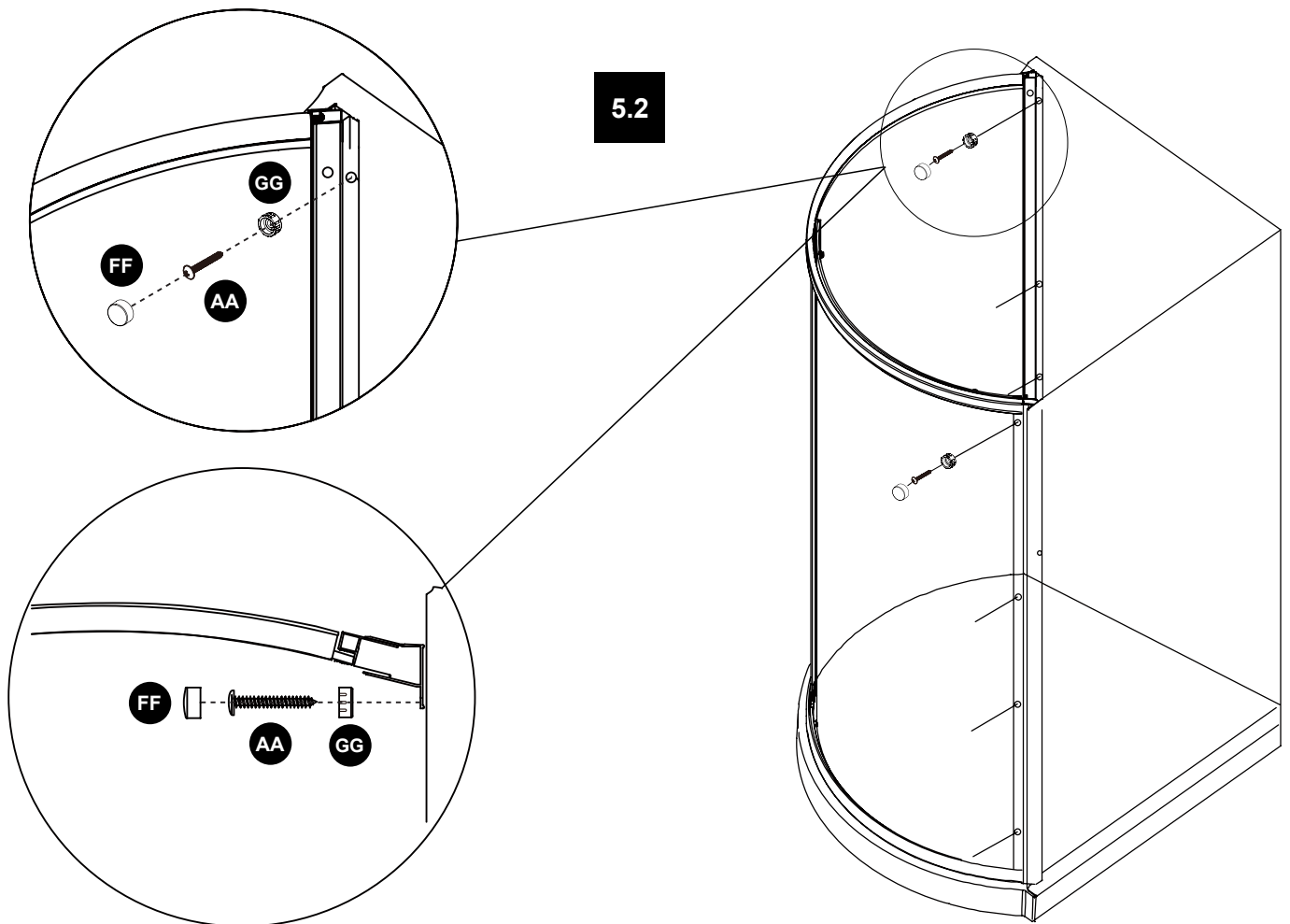
5.2. Fixez les rails muraux (E) à l'aide des rondelles (GG), des vis (AA) et des couvercles (FF).

INDICATION UTILE!

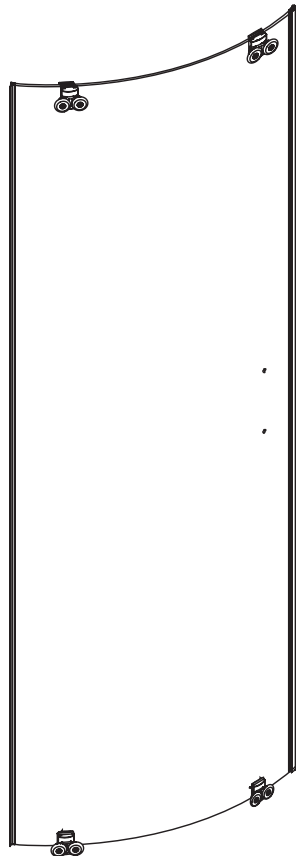
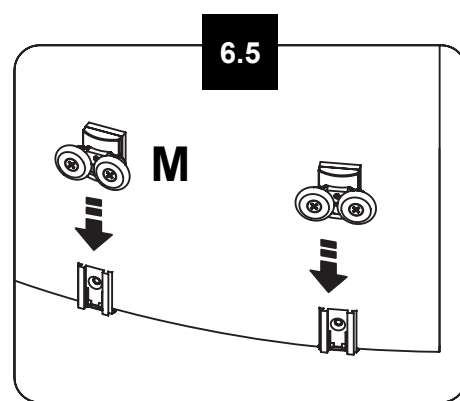
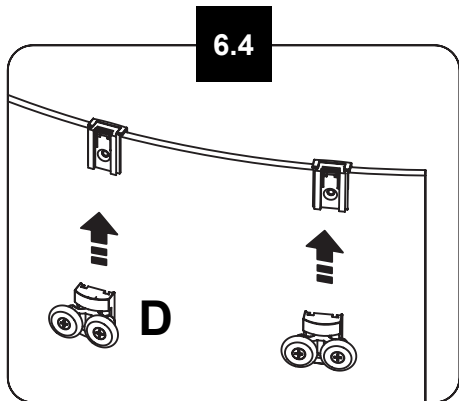
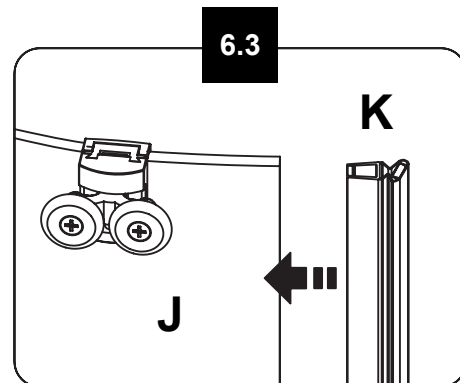
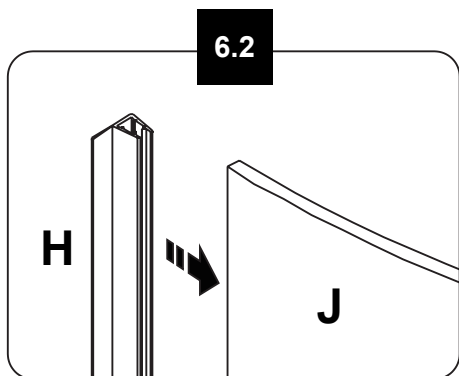
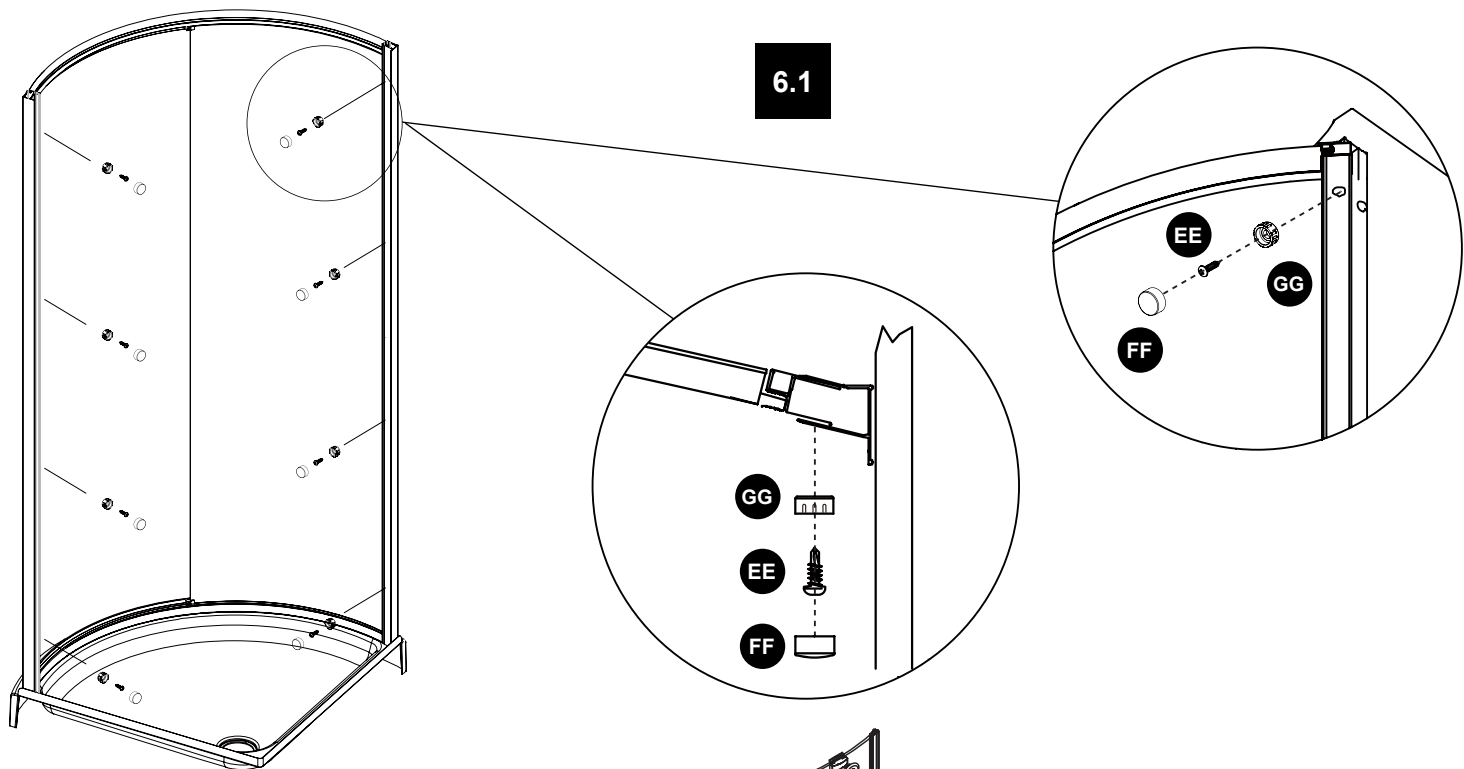
Avant d'installer le cadre, vous pouvez insérer le panneau de porte dans la base de la douche pour faciliter les étapes ultérieures.



5.2

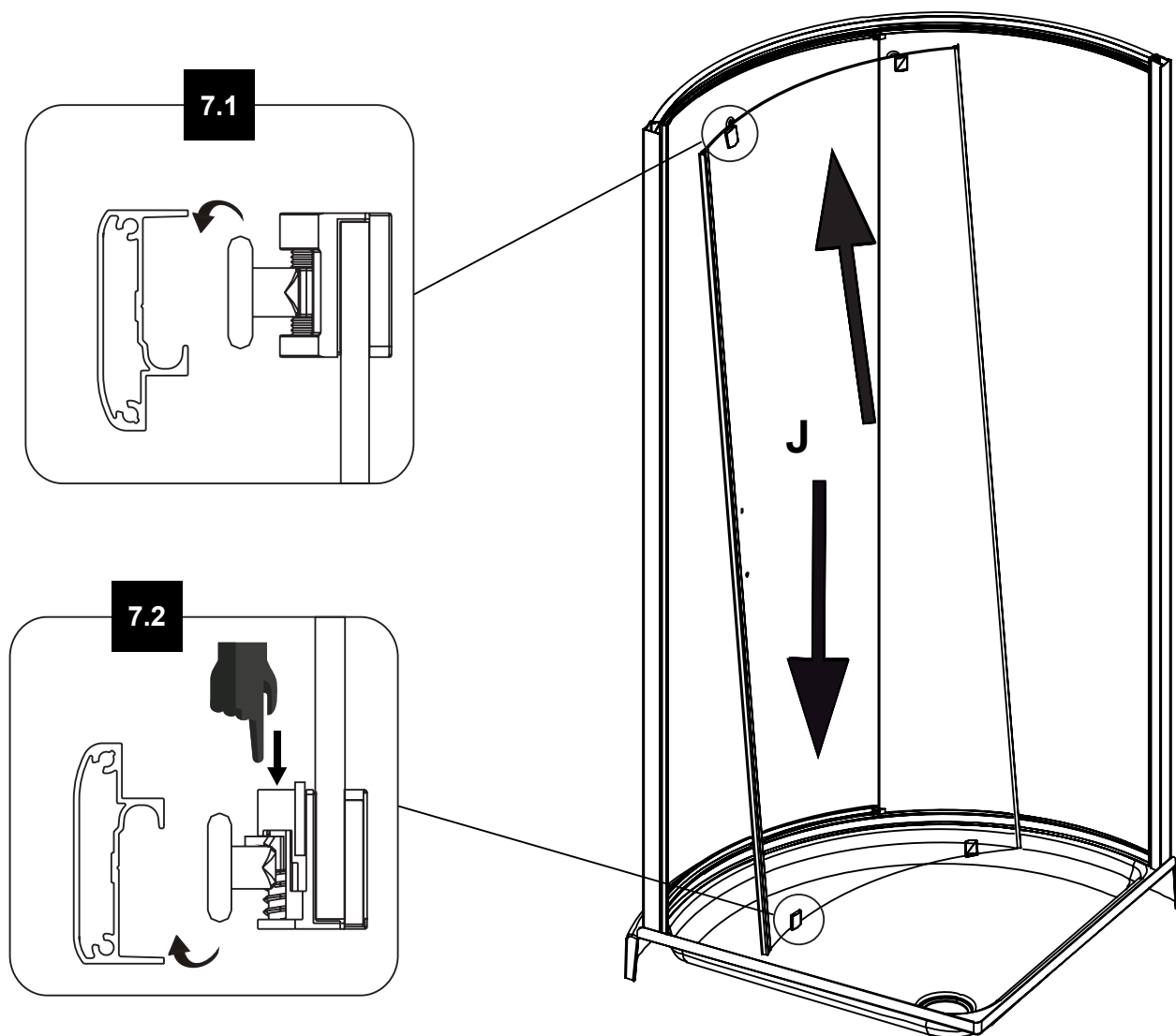


- 6.1. Fixez le cadre de la douche aux rails muraux (E) à l'aide des rondelles (GG), des vis (EE) et des capuchons (FF).
 6.2. Insérez la bande d'étanchéité du panneau de porte (H) sur le côté gauche de la porte (J).
 6.3. Insérer la bande d'étanchéité magnétique (K) sur l'extrémité de fermeture de la porte (J).
 6.4. Insérer les roues de la porte supérieure (D) dans les supports de roue.
 6.5. Insérez les roues de la porte inférieure (M) dans les supports de roues.



7.1. Suspendez doucement et avec précaution la porte (J) par ses roues supérieures (D).

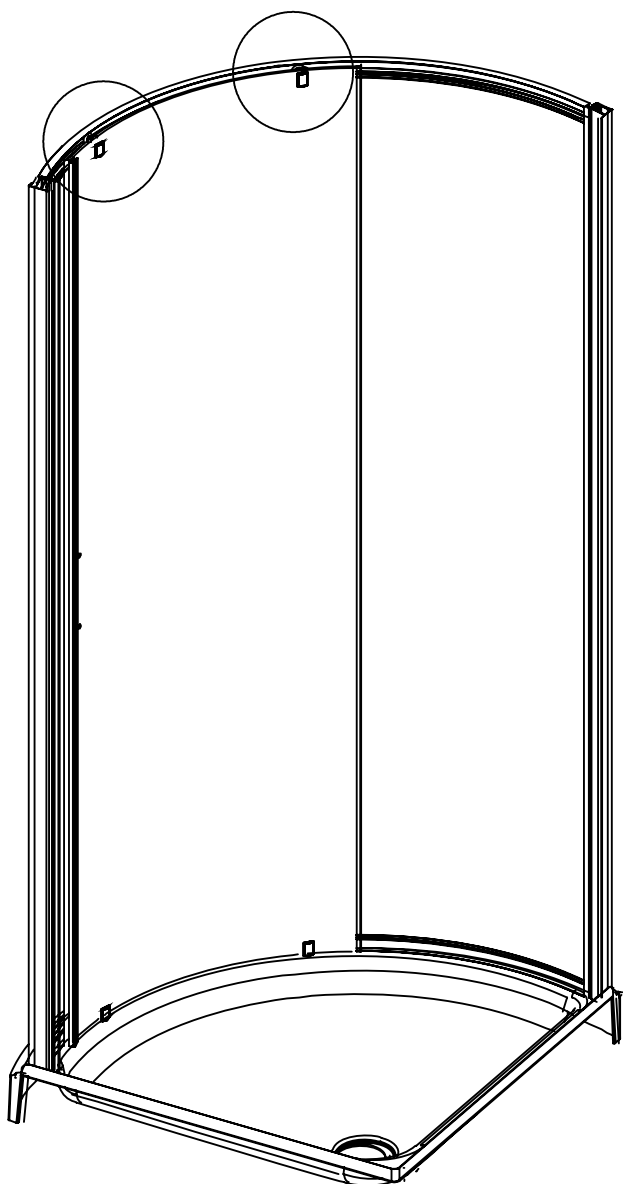
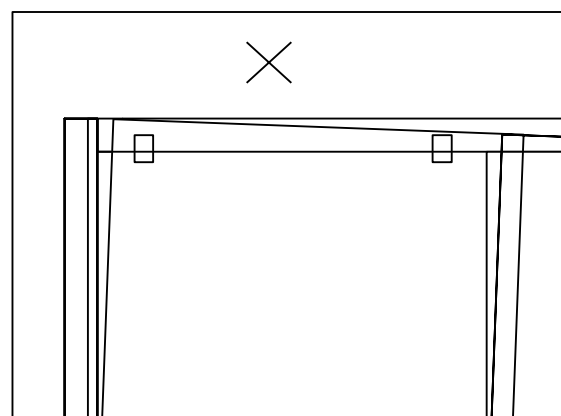
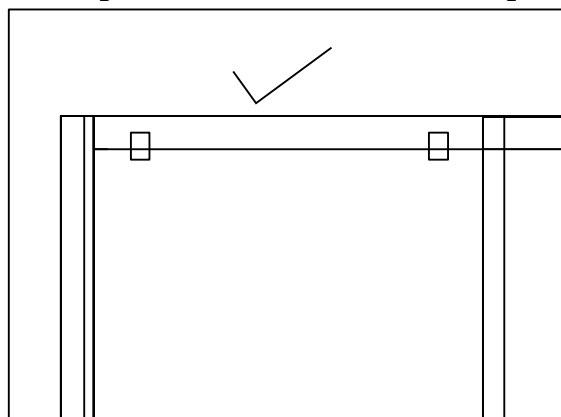
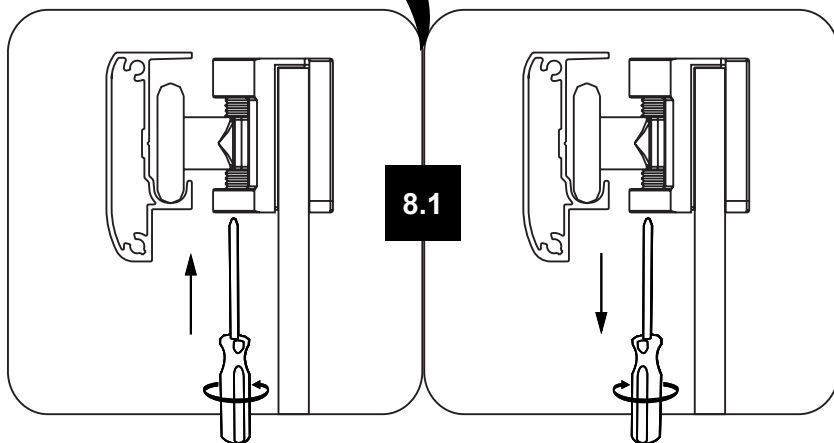
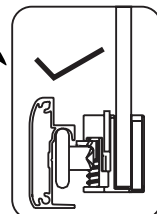
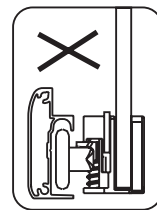
7.2. Fixez les roues inférieures dans le rail inférieur du cadre (A) en poussant vers le bas sur la roue inférieure. Un effet de ressort permet de fixer les roues inférieures dans le rail du cadre.



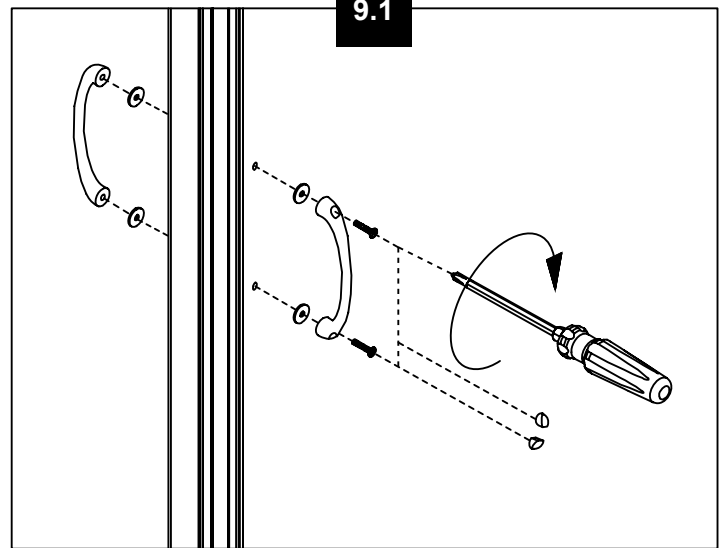
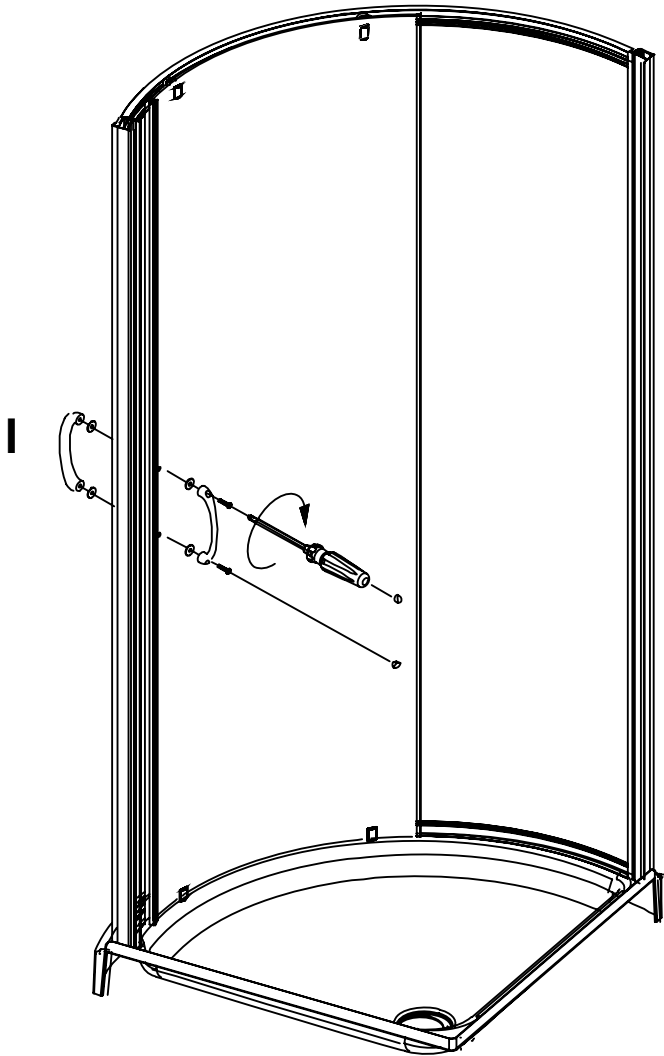
8.1. Assurez-vous que la porte se ferme bien et qu'elle est de niveau. Si un ajustement est nécessaire, utilisez un tournevis pour serrer ou desserrer la vis située sous les rouleaux supérieurs afin de niveler la porte de manière adéquate.

NOTE!

Ce réglage des roues peut être utilisé pour mettre la porte à niveau afin d'obtenir un joint de porte fermé uniforme et étanche. Il est également utilisé si les roues inférieures de la porte se détachent trop facilement de leur rail. Dans ce cas, serrez les vis des roues supérieures dans le sens inverse des aiguilles d'une montre, ce qui soulèvera le panneau de la porte et resserrera les roues inférieures.

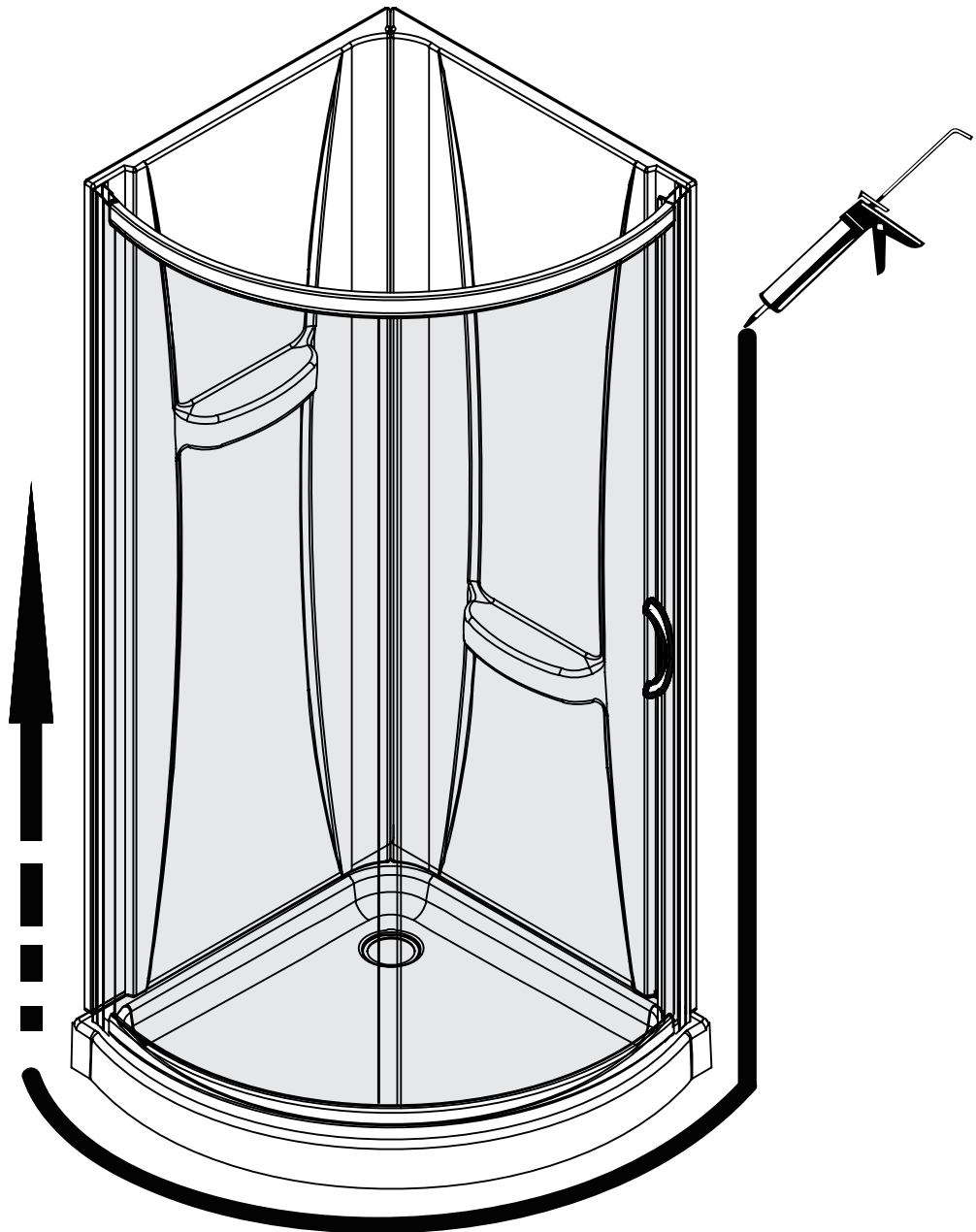


9.1. Installez la poignée (I).



Assurez-vous que la porte ferme hermétiquement et s'ouvre en douceur. Assurez-vous qu'il y a une connexion ferme entre le(s) panneau(x) fixe(s) et la barre de support.

Appliquez un produit d'étanchéité à l'eau à base de silicone transparent autour du périmètre extérieur de tout élément fixe de la douche. Laissez sécher le silicone pendant 24 heures. Une mauvaise application du mastic silicone peut entraîner une fuite de votre douche.



ENTRETIEN ET MAINTENANCE

Utilisez un chiffon mouillé et un nettoyeur liquide doux pour l'entretien quotidien.

N'utilisez jamais de nettoyeurs abrasifs contenant de l'acétone, du chlore ou du javellisant puissant, et évitez les grattoirs, les brosses métalliques et tout autre objet ou produit pouvant érafler ou ternir les surfaces.

Utilisez la clé à rochet pour serrer fortement tous boulons faisant partie d'une pièce supportant les panneaux fixes de verre et les portes. Ces boulons peuvent supporter jusqu'à 28.25 N.m de tension de serrage.

Vérifiez ces boulons tous les 4 mois et re-serrer les si nécessaire.

GARANTIE

Garantie LIMITÉE du produit

Le DISTRIBUTEUR est distributeur des produits suivants:

- Portes de douche (garantie de cinq ans).
- Surfaces en acrylique (garantie de cinq ans contre le cloquage, le craquelage ou l'écaillage de la surface en acrylique).
- Structure en acrylique de la coque (garantie de 5 ans contre les fuites d'eau à travers le stratifié en fibre de verre de la coque en acrylique).
- Quincaillerie de la douche (poignée, charnières, fixations de support en caoutchouc, barre de support en métal et rails muraux) (garantie contre les défauts de fabrication et de matériel pour une période d'un an).

Garantie limitée: Le DISTRIBUTEUR garantit à l'acheteur original que dans un délai raisonnable après réception d'un avis de sa part, Le DISTRIBUTEUR réparera ou remplacera le produit, ou toute partie ou composante du produit visé, distribué par Le DISTRIBUTEUR, dont la défectuosité de matériel ou de fabrication est établie à la satisfaction du DISTRIBUTEUR, et qui est survenue pendant l'utilisation normale et pendant la période couverte par la garantie. La présente garantie limitée ne s'applique pas aux produits qui ont été endommagés, ou qui s'avéreraient défectueux, résultant de causes autres que des défauts de fabrication (notamment une installation inadéquate; l'absence d'entretien ou un entretien inapproprié; l'exposition à divers éléments, notamment des produits corrosifs, l'environnement ou l'eau; des modifications, une utilisation abusive ou incorrecte). La présente garantie ne s'étend pas aux dommages causés aux finis. La période de garantie débute à la date d'achat du produit par le client. La présente garantie s'applique exclusivement aux produits achetés et utilisés dans des applications non commerciales.

Procédure de réclamation dans le cadre de la garantie: Pour faire une réclamation, veuillez composer le numéro du service à la clientèle du DISTRIBUTEUR afin de résoudre le problème et de lancer le processus de réclamation. Le DISTRIBUTEUR pourra inspecter et évaluer les produits; tout produit ou composante de produit qui respectera les critères énoncés ci-haut relativement à la garantie sera réparé ou remplacé au gré du DISTRIBUTEUR. Les pièces remplacées ou réparées seront expédiées sans frais pour le client au moyen d'un service de transport terrestre régulier uniquement. Tout autre mode d'expédition accéléré utilisé le sera aux frais du client.

EXONÉRATION ET EXCLUSION DE GARANTIE : La présente garantie se veut un énoncé complet et exclusif des conditions afférentes à toutes les garanties limitées offertes par Le DISTRIBUTEUR.

Dans les limites permises par la loi, autre que la garantie expresse donnée dans le présent document, Le DISTRIBUTEUR NE DONNE AUCUNE GARANTIE, EXPLICITE OU IMPLICITE, Y COMPRIS TOUTE GARANTIE IMPLICITE QUANT À LA GARANTIE MARCHANDE DU PRODUIT OU À SON ADÉQUATION À UN EMPLOI PARTICULIER.

La présente garantie vous confère des droits légaux spécifiques. Vous pourriez également jouir d'autres droits, qui varient en fonction de la législation étatique, provinciale ou nationale applicable, laquelle ne peut être niée ou modifiée par la déclaration d'exonération ci-dessus. Sauf dans la mesure permise, la déclaration d'exonération n'a pas pour objet d'annuler, de modifier, de décaler ou de modifier l'applicabilité de la législation étatique, provinciale ou nationale ayant prépondérance et qui serait incompatible avec les modalités de la présente garantie limitée ou exonération. Cependant, dans la mesure permise par la loi, aucune garantie implicite de qualité marchande ou d'adaptation n'est donnée ou accordée dans les présentes. Malgré cette mise en garde, si toute forme de garantie est imposée par la loi, dans la mesure permise, la durée de telles garanties implicites est limitée à la durée la plus courte entre la garantie expresse ou la prescription applicable en vertu de la loi en vigueur.

Les produits énumérés ci-dessus sont prévus pour une installation et une utilisation personnelle et résidentielle du consommateur. L'utilisation des produits à toutes autres fins, notamment à des fins commerciales, annule la présente garantie. La présente garantie limitée est uniquement applicable aux produits énumérés ci-dessus aux présentes, et aucune garantie n'est accordée à des produits non distribués par Le DISTRIBUTEUR. La garantie est applicable uniquement au premier acheteur au détail.

Transférabilité : La présente garantie ne peut être transférée.

RESTRICTION ET EXCLUSION DE RECOURS ET DOMMAGES : La seule responsabilité du DISTRIBUTEUR en vertu de la présente garantie limitée est de réparer ou de remplacer, à son gré, tout produit ou composante de produit défectueux. L'acheteur convient qu'il s'agit du seul et unique recours qui lui est consenti en vertu de la garantie limitée. Le DISTRIBUTEUR ne peut être tenu responsable de quelques dommages accessoires, consécutifs, particuliers ou indirects, y compris la perte d'utilisation en conséquence de tout défaut de fabrication d'un produit. Le DISTRIBUTEUR ne sera pas responsable des frais de main-d'œuvre ou de tous autres frais associés aux travaux pour retirer ou installer les pièces visées par la garantie. Certaines lois étatiques, provinciales ou nationales n'autorisent pas l'exclusion ou la limitation des dommages accessoires ou consécutifs, donc cette restriction pourrait ne pas s'appliquer à votre cas.

Modification de produit : Le DISTRIBUTEUR se réserve le droit de changer, de modifier ou d'améliorer les produits sans être tenue d'incorporer ces modifications aux produits vendus ou installés précédemment.

Autorité et modification : Le vendeur au détail n'est pas le représentant du DISTRIBUTEUR et n'est pas autorisé à modifier ou à changer les modalités de la garantie limitée. De plus, le détaillant ne peut lier Le DISTRIBUTEUR ni faire de représentation ou de promesses à l'égard du produit qui sont contraignantes pour Le DISTRIBUTEUR.

En cas de divergences entre la version anglaise et la version française, la version dans la langue d'origine fait foi.



Questions, problèmes ou besoin d'aide?
Contactez notre service à la clientèle au
1-866-839-2888, du lundi au vendredi de 8 h à 17 h HNE.

COMIENCE CON ESTE MANUAL DE INSTALACIÓN

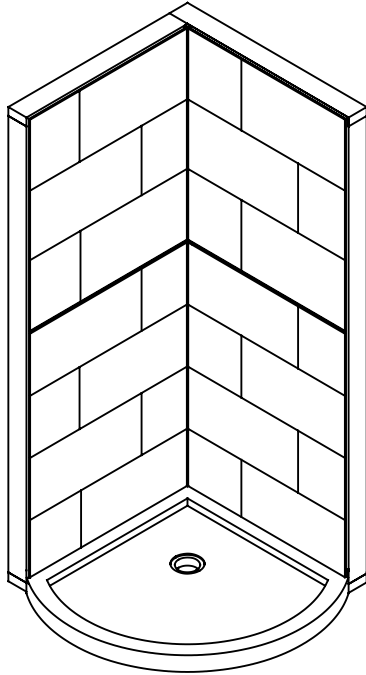
PASO 1: INSTALE SU BASE DE DUCHA (UTILIZANDO ESTE MANUAL).

PASO 2: INSTALE SU PARED DE DUCHA SEGÚN LA OPCIÓN (A) O LA OPCIÓN (B).

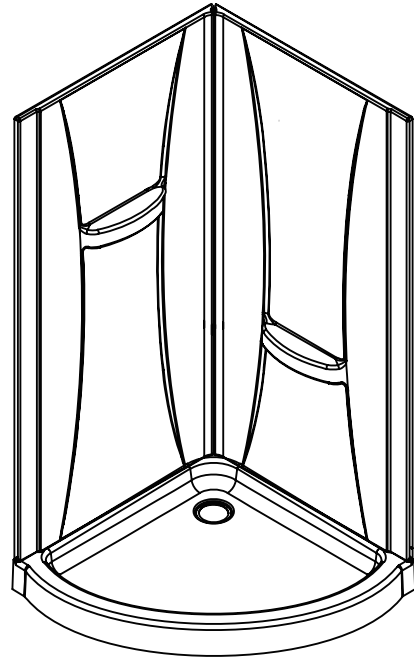
OPCIÓN (A): INSTALACIÓN CON BALDOSAS O PANELES DE PARED COMPUESTOS (NO SUMINISTRADOS)

OPCIÓN (B): INSTALACIÓN CON PANELES ACRÍLICOS OVE (SI SE ADQUIEREN EN KIT)

A



B



PASO 3: INSTALE SU PUERTA DE DUCHA.

Una guía de instalación de vídeo (V06) está disponible en nuestro canal de Youtube:



<https://tinyurl.com/y95nqcmv>



Preguntas, problemas o necesita ayuda?

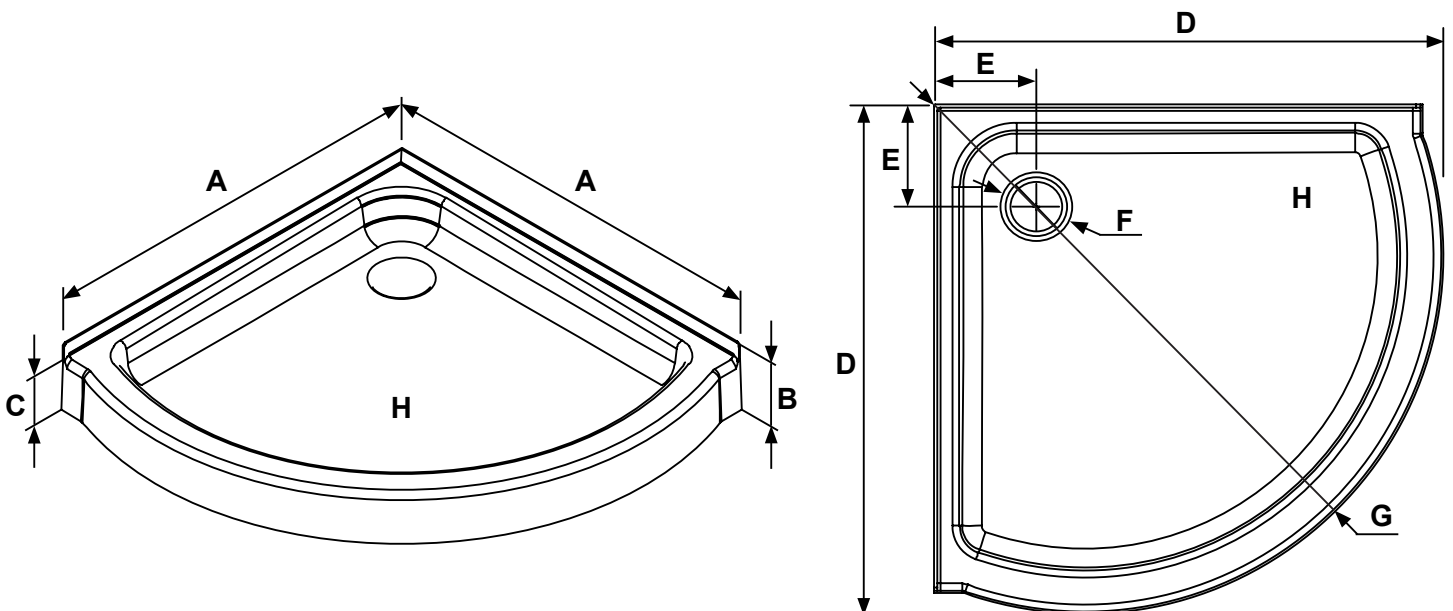
Llame a nuestro departamento de servicio al cliente al
1-866-839-2888, 8 am. – 5 pm., HDE, Lunes a Viernes.

ÍNDICE

BASE DE DUCHA DIMENSIONES	3
DIMENSIONES DE LA PARED DE LA DUCHA	4
DIMENSIONES TOTALES DE LA DUCHA	5
CONTENIDO DEL PAQUETE (PUERTA DE DUCHA)	6
LISTA DE PIEZAS (PUERTA DE DUCHA)	8
LISTA DE PIEZAS (BASE DE DUCHA)	11
LISTA DE PIEZAS (PARED DE DUCHA)	12
INFORMACIÓN DE SEGURIDAD	13
ANTES DE LA INSTALACIÓN	14
INSTALACIÓN DE LA BASE (OPCIÓN A)	15
INSTALACIÓN DE LA BASE (OPCIÓN B)	25
INSTALACIÓN DE PANELES ACRÍLICOS	32
INSTALACIÓN DE LA PUERTA DE LA DUCHA	35
MANTENIMIENTO Y CUIDADO, GARANTÍA	47

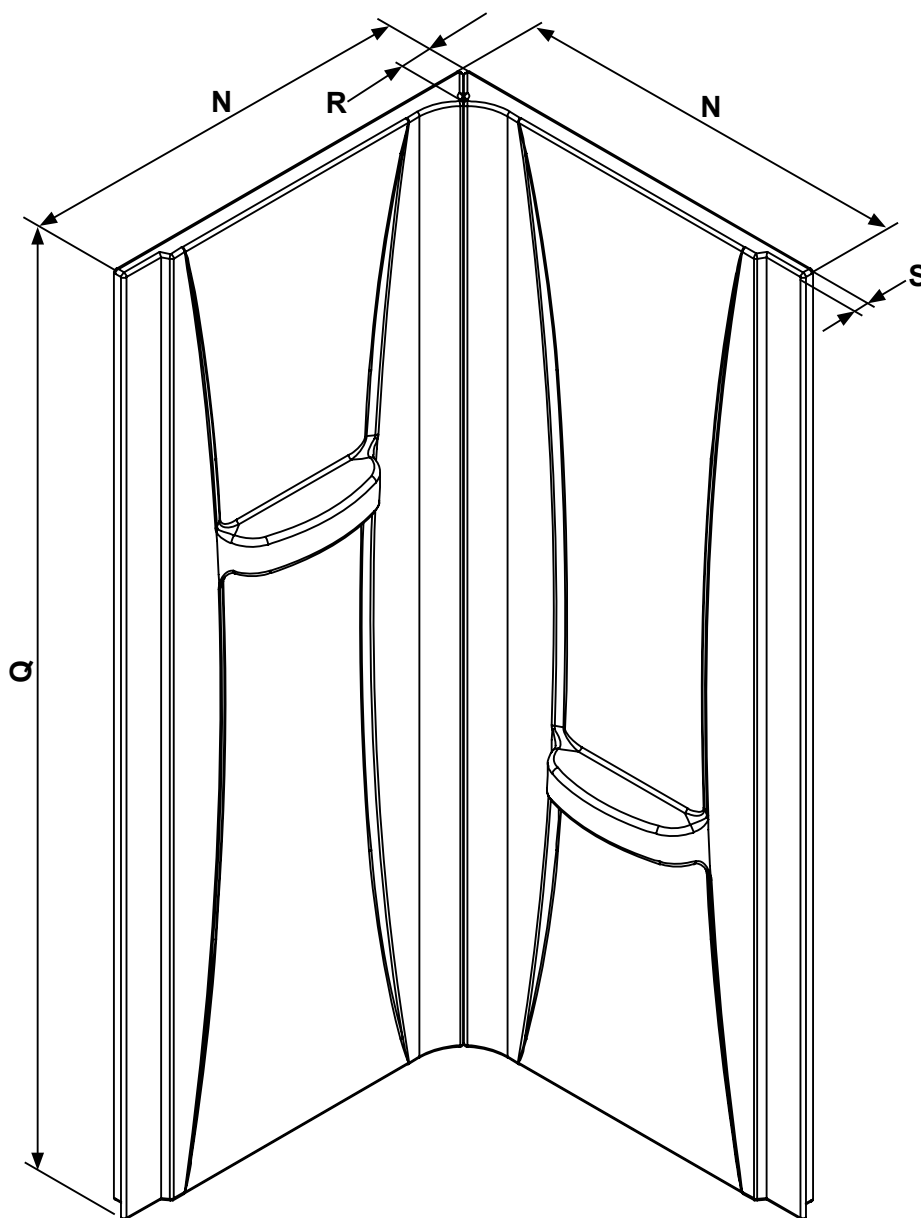
DIMENSIONES DE LA BASE DE DUCHA

	Medidas	32"	34"	36"	38"
A	Anchura de la brida	31 7/8" 810mm	33 7/8" 860mm	35 15/16" 913mm	37 13/16" 960mm
B	Altura de la base de ducha (Con brida)	5 1/8" 130mm	5 1/8" 130mm	5 1/8" 130mm	5 1/8" 130mm
C	Altura del umbral (sin brida)	4 1/8" 105mm	4 1/8" 105mm	4 1/8" 105mm	4 1/8" 105mm
D	Anchura total de la base de ducha	32 11/16" 830mm	34 15/16" 887mm	40 1/16" 1018mm	44 5/16" 1125mm
E	Distancia del desagüe desde la esquina	7 7/16" 189mm	7 1/4" 184mm	12 3/8" 314mm	11 5/8" 296mm
F	Diámetro de la abertura de desagüe	3 3/8" 85mm	3 3/8" 85mm	3 3/8" 85mm	3 3/8" 85mm
G	Longitud del borde de la base (máximo)	36 1/8" 918mm	39 1/4" 996mm	46 7/8" 1187mm	51 7/8" 1318mm
H	Superficie acabada	911 in ² 0.588 m ²	1051 in ² 0.678 m ²	1407 in ² 0.908 m ²	1708 in ² 1.102m ²



DIMENSIONES DE LA PARED DE LA DUCHA (SI SE COMPRA COMO KIT)

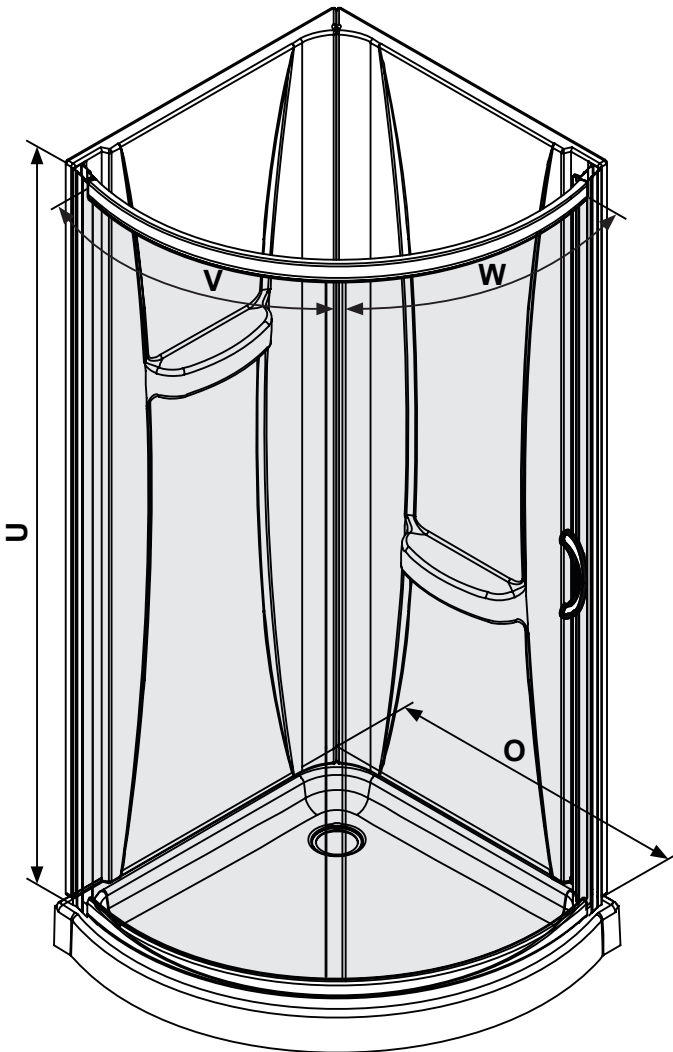
	Medidas	32"	34"	36"	38"
N	Anchura de la pared	30 3/4" 781mm	32 7/8" 835mm	34 13/16" 884mm	36 13/16" 935mm
Q	Altura de la pared	73 1/4" 1860mm	73 1/4" 1860mm	73 1/4" 1860mm	73 1/4" 1860mm
R	Espesor total de la pared	2 13/16" 71mm	2 13/16" 71mm	2 13/16" 71mm	2 13/16" 71mm
S	Grosor de la pared	15/16" 23mm	15/16" 23mm	15/16" 23mm	15/16" 23mm



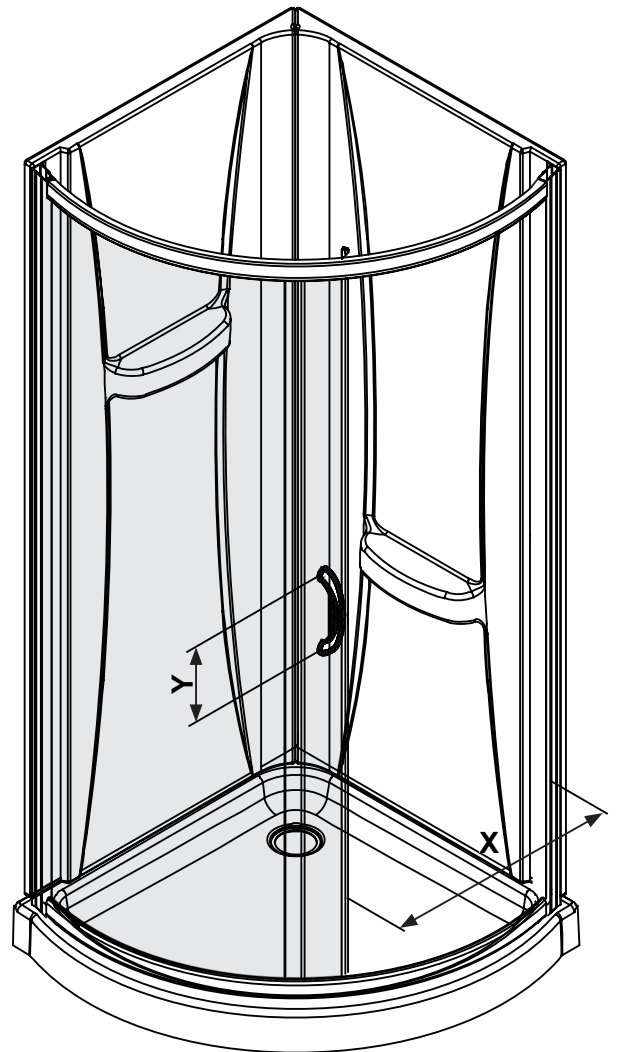
Medidas: PULGADAS (mm)

DIMENSIONES TOTALES DE LA DUCHA

	Medidas	32"	34"	36"	38"
O	Anchura de la ducha (carril de pared a carril de pared)	29 13/16" 758mm	31 1/4" 793mm	33 7/16" 850mm	35 7/8" 911mm
U	Altura de la ducha	72 13/16" 1850mm	72 13/16" 1850mm	72 13/16" 1850mm	72 13/16" 1850mm
V	Anchura del panel fijo	22 3/4" R23" 578 R584mm	25 1/16" R23" 637 R584mm	30 15/16" R23" 786 R584mm	39 3/16" R24 1/2" 995 R622mm
W	Anchura del panel de la puerta	23 15/16" R22 1/16" 608 R560mm	26 3/16" R22 1/16" 665 R560mm	32 1/4" R22 1/16" 819 R560mm	32 5/8" R23 9/16" 829 R598mm
X	Apertura de la puerta	19 15/16" 506mm	21 13/16" 554mm	25 11/16" 652mm	26 1/8" 664mm
Y	Distancia entre los orificios de los tiradores	5 11/16" 145mm	5 11/16" 145mm	5 11/16" 145mm	5 11/16" 145mm



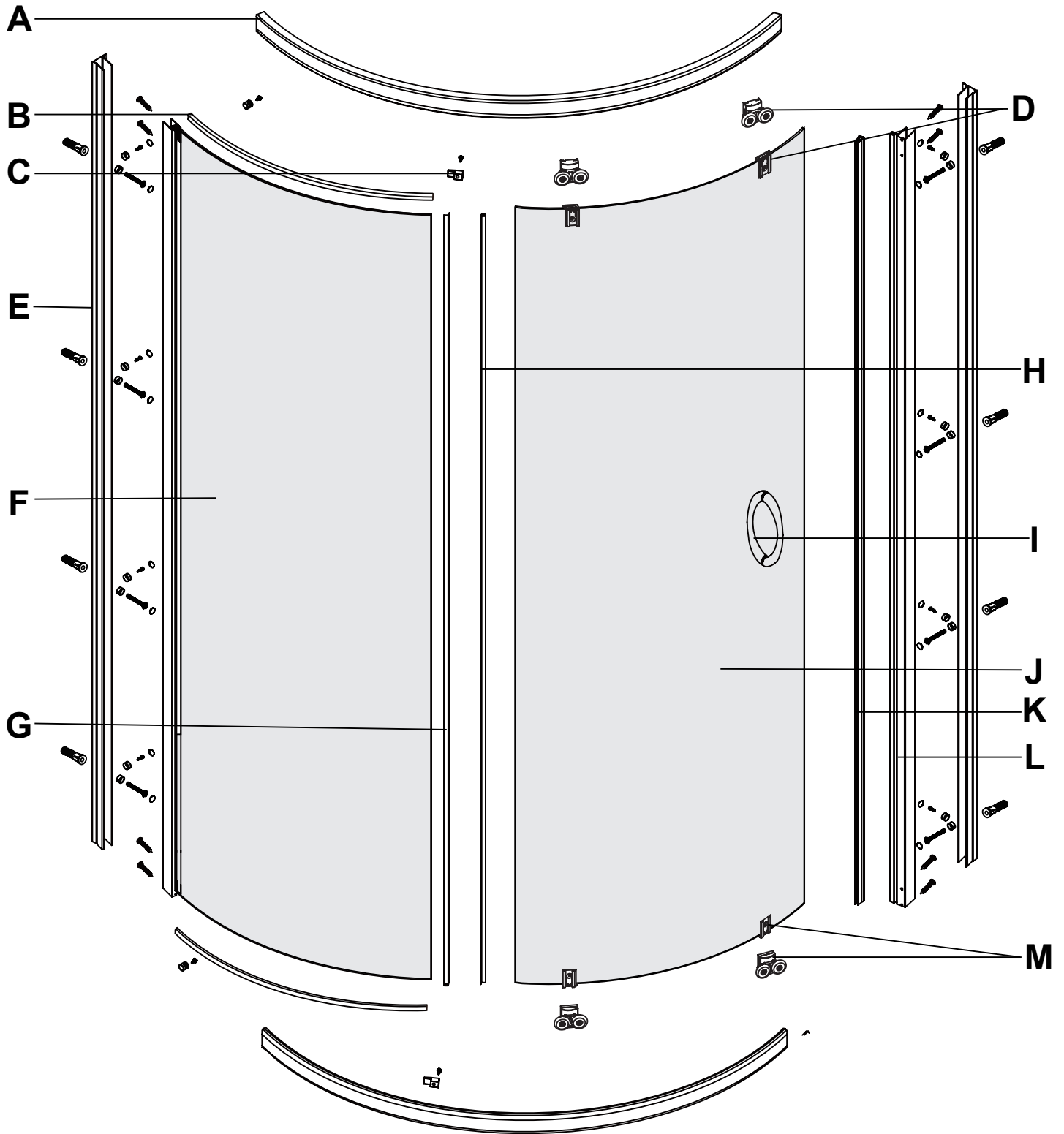
DIMENSIÓN TOTAL DE LA DUCHA



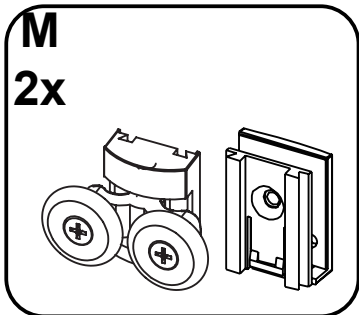
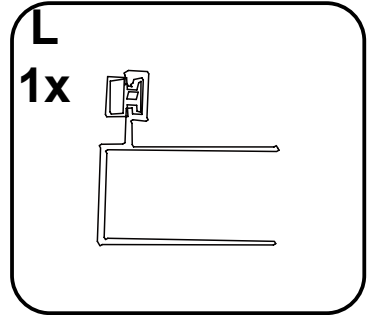
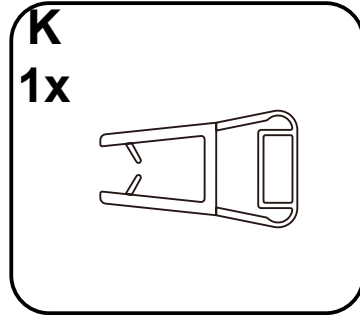
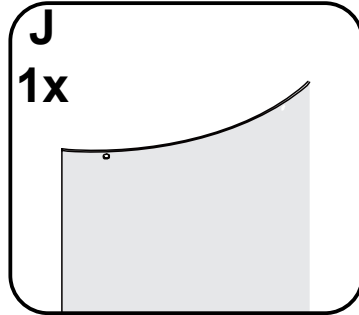
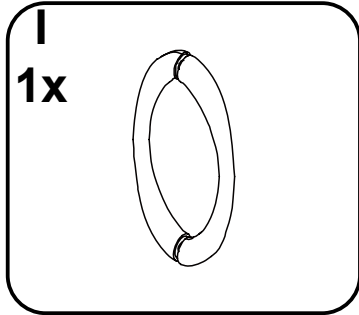
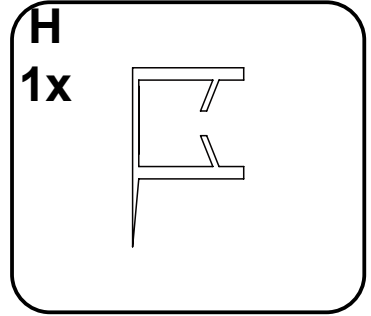
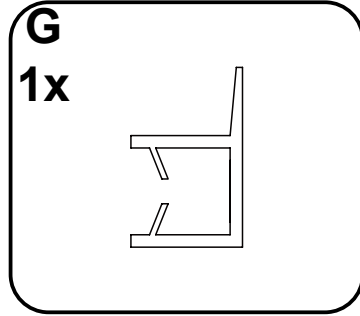
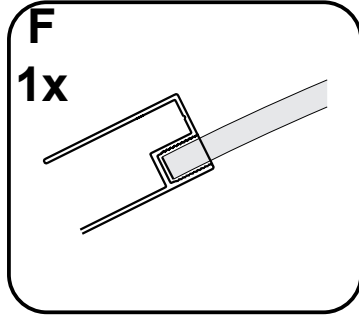
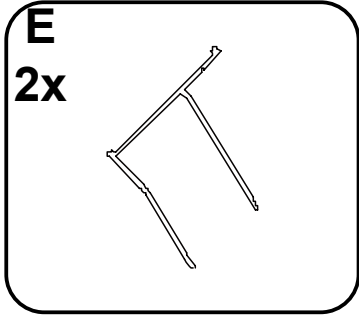
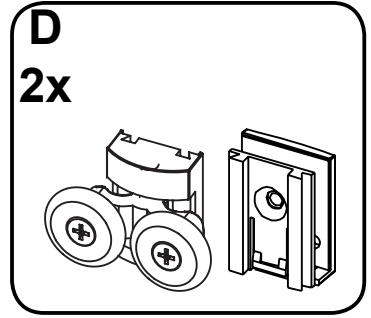
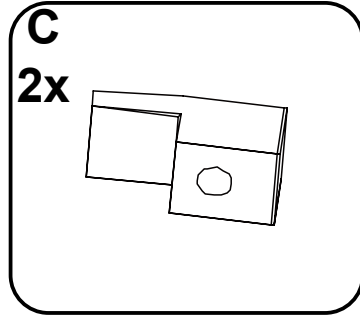
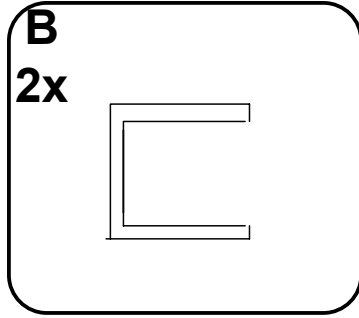
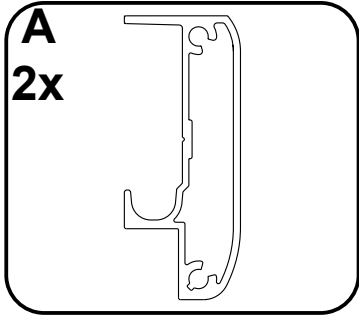
DIMENSIÓN DE APERTURA DE LA PUERTA DE LA DUCHA

Medidas: PULGADAS (mm)

CONTENIDO DEL PAQUETE (PUERTA DE DUCHA)



CONTENIDO DEL PAQUETE (PUERTA DE DUCHA)



LISTA DE PIEZAS (PUERTA DE DUCHA)

PARTE #	DESCRIPCIÓN	CANTIDAD	CÓDIO
A	Corredera de marco (superior e inferior)	2	32" Cromo: 99STR1033
			34" Cromo: 99STR1034
			36" Cromo: 99STR1035
			38" Cromo: 99STR1036
			32" Satinado: 99STR3766-AC
			34" Satinado: 99STR3767-AC
			36" Satinado: 99STR3768-AC
			38" Satinado: 99STR3769-AC
			32" Negro Mate: 99STR3770-AC
			34" Negro Mate: 99STR3771-AC
			36" Negro Mate: 99STR3772-AC
			38" Negro Mate: 99STR3773-AC
B	Banda de sellado del panel fijo (superior e inferior)	2	32" Cromo y Satinado: 99SRU3633-AC
			34" Cromo y Satinado: 99SRU3634-AC
			36" Cromo y Satinado: 99SRU3635-AC
			38" Cromo y Satinado : 99SRU3636-AC
			32" Negro Mate: 99SRU3703-AC
			34" Negro Mate: 99SRU3704-AC
			36" Negro Mate: 99SRU3705-AC
			38" Negro Mate: 99SRU3706-AC
C	Mordaza fija para panel	2	Cromo: 99SGC1030
			Satinado: 99SGC4053-AC
			Negro Mate: 99SGC4054-AC
D	Ruedas superiores y soporte (soporte preinstalado)	2	Cromo: 99SWE0067-AC
			Satinado: 99SWE3644-AC
			Negro Mate: 99SWE3645-AC
E	Pista de pared	2	32" Cromo: 99STR3835-AC
			32" Satinado: 99STR3837-AC
			32" Negro Mate: 99STR3836-AC
			34" Cromo: 99STR3838-AC
			34" Satinado: 99STR3840-AC
			34" Negro Mate: 99STR3839-AC
			36" Cromo: 99STR3841-AC
			36" Satinado: 99STR3843-AC
			36" Negro Mate: 99STR3842-AC
			38" Cromo: 99STR1043-AC
			38" Satinado: 99STR3774-AC
			38" Negro Mate: 99STR3775-AC

LISTA DE PIEZAS (PUERTA DE DUCHA)

PARTE #	DESCRIPCIÓN	CANTIDAD	CÓDIO
F	Panel fijo	1	32" Cromo: 99SG10018-AC
			34" Cromo: 99SG10327-AC
			36" Cromo: 99SG10328-AC
			38" Cromo: 99SG10329-AC
			32" Satin Nicke: 99SG3754-AC
			34" Satinado: 99SG3755-AC
			36" Satinado: 99sG3756-AC
			38" Satinado: 99SG3757-AC
			32" Negro Mate: 99SG3758-AC
			34" Negro Mate: 99SG3759-AC
			36" Negro Mate: 99SG3760-AC
			38" Negro Mate: 99SG3761-AC
			32" Cromo: 99SGP-7S5N5VN8-AC
			34" Cromo: 99SGP-739GKCQU-AC
			36" Cromo: 99SGP-7Q9K943L-AC
			38" Cromo: 99SGP-59G50X35-AC
			32" Satinado: 99SG3762-AC
			34" Satinado: 99SG3763-AC
			36" Satinado: 99SG3764-AC
			32" Negro Mate: 99SG3766-AC
34" Negro Mate: 99SG3767-AC			
36" Negro Mate: 99SG3768-AC			
G	Banda de sellado de panel fijo	1	Cromo y Satinado: 99SRU0057
			Negro Mate: 99SRU3707-AC
H	Banda de sellado del panel de la puerta	1	Cromo y Satinado: 99SRU0058
			Negro Mate: 99SRU3708-AC
I	Manija de la puerta	1	Cromo: 99SHA1022
			Satinado: 99SHA3639-AC
			Negro Mate: 99SHA3640-AC

LISTA DE PIEZAS (PUERTA DE DUCHA)

PARTE #	DESCRIPCIÓN	CANTIDAD	CÓDIO	
J	Puerta de la ducha	1	Vidrio transparente	32" : 99SGD0021-AC
				34" : 99SGD0041-AC
				36" : 99SGD0040-AC
				38" : 99SGD0042-AC
			Vidrio esmerilado desordenado	32" : 99SGD3661-AC
				34" : 99SGD3662-AC
				36" : 99SGD3663-AC
				38" : 99SGD3664-AC
			Cuadros pequeños de vidrio esmerilado	32" : 99SGD4958-AC
				34" : 99SGD4959-AC
				35" : 99SGD4960-AC
				36" : 99SGD4961-AC
K	Banda magnética de la puerta	1	Cromo and Satinado: 99SRU0059	
			Negro Mate: 99SRU3709-AC	
L	Carril magnético de la puerta	1	Cromo: 99STR1037	
			Satinado: 99STR3776-AC	
			Negro Mate: 99STR3777-AC	
M	Ruedas de fondo y soporte (soporte preinstalado)	2	Cromo: 99SWE0068-AC	
			Satinado: 99SWE3646-AC	
			Negro Mate: 99SWE3647-AC	
***	Todo el hardware	N/A	Cromo: 99SHW0040-AC	
			Satinado: 99SHW6076-AC	
			Negro Mate: 99SHW6077-AC	

LISTA DE HERRAJES SUMINISTRADOS (PUERTA DE DUCHA)

AA



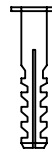
Tornillo
ST4x45
12+2

BB



Tornillo
ST3.5x25
8+1

CC



anclajes murales
ø6x30
x8

DD



Tornillo
ST4x14
2+1

EE



Tornillo
ST4x13
6+1

FF



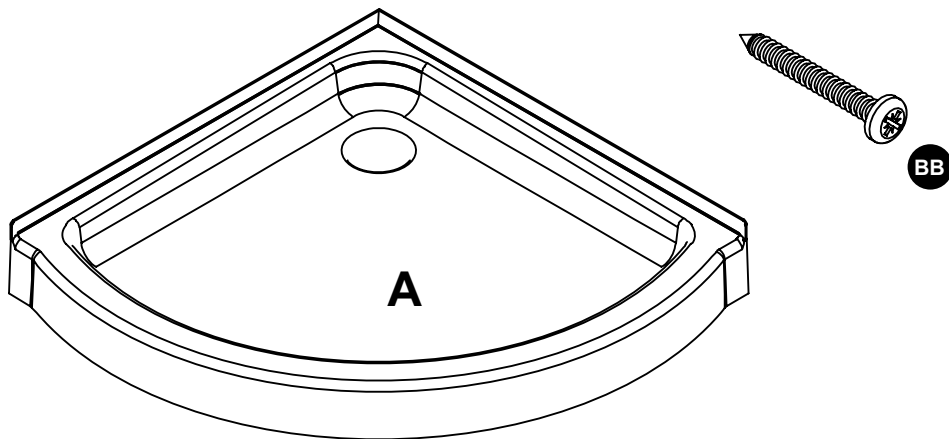
Tapa roscada
x14

GG



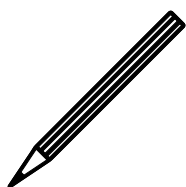
Arandelas
x14

LISTA DE PIEZAS (BASE DE DUCHA)

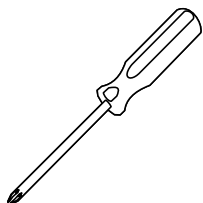


PARTE #	DESCRIPCIÓN	CANTIDAD	CÓDIO
A	Shower base	1	
BB	Screw (ST4x30mm)	8+1	

HERRAMIENTAS NECESARIAS (NO SUMINISTRADAS)



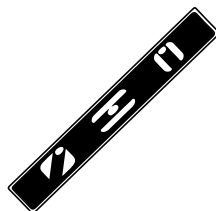
Lápiz



Destornillador



Cinta medidora



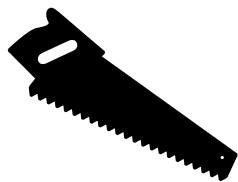
Nivel



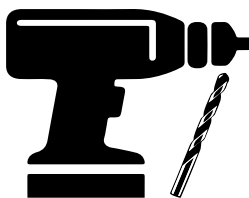
Cúter



Silicona



Sierra



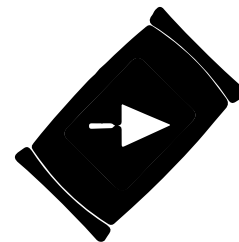
Taladro y brocas
 $\varnothing 1/8"$ (3mm)
 $\varnothing 3/16"$ (5mm)
 $\varnothing 1/4"$ (6mm)



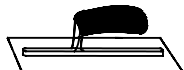
Broca de sierra



Calzos de madera



Cemento



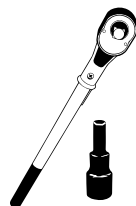
Paleta



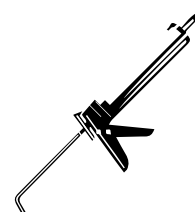
Gafas de seguridad



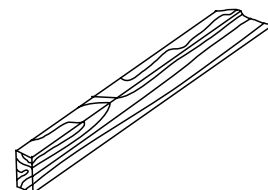
Anteojos de seguridad



Carraca
 Llave de vaso de 5 mm

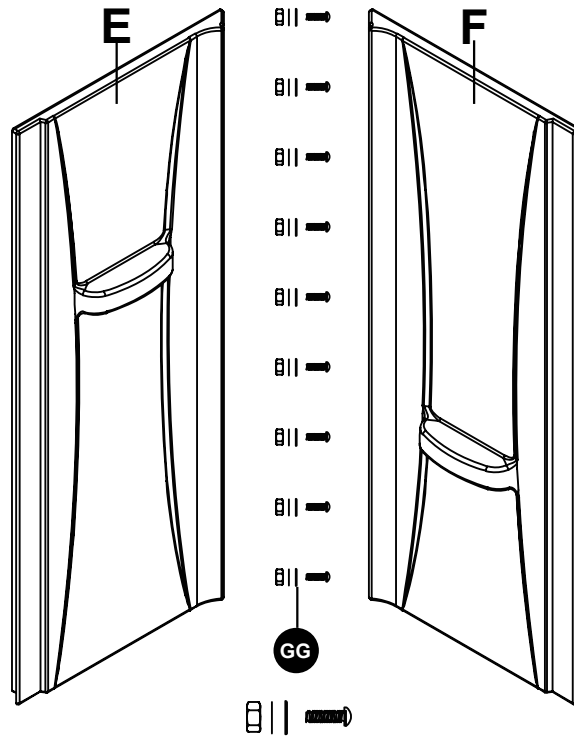


Adhesivo de construcción



1x3 Battens

LISTA DE PIEZAS PARED DE DUCHA (SI SE COMPRA COMO KIT)



PARTE #	DESCRIPCIÓN	CANTIDAD	CÓDIO
E	Panel de pared (izquierda)	1	32" : 99SAP0044-AC
			34" : 99SAP0046-AC
			36" : 99SAP0048-AC
			38" : 99SAP0050-AC
F	Panel de pared (derecha)	1	32" : 99SAP0045-AC
			34" : 99SAP0047-AC
			36" : 99SAP0049-AC
			38" : 99SAP0051-AC
GG	Tornillo y tuerca	9	99SHW0353-AC



INFORMACIÓN DE SEGURIDAD



PRECAUCIÓN

Lea cuidadosamente la siguiente información importante antes de manipular e instalar la ducha. Hay riesgo de lesiones graves mientras se manipula el producto. Para minimizar estos riesgos, sírvase notar:

- Utilice siempre anteojos de seguridad y guantes durante la manipulación.
- Lea y siga siempre todos los pasos en las instrucciones de instalación.
- Inspeccione todo el contenido y el vidrio por daños antes de la instalación.
- Hay que prestar atención especial mientras se manipula el vidrio durante la instalación ya que el vidrio templado se puede despedazar al contacto con una superficie dura.
- Manipule el vidrio templado con precaución! Una manipulación inadecuada del vidrio puede ocasionar que se rompa.
- Observe siempre todas las precauciones para no tocar el vidrio templado con ninguna herramienta durante ni después de la instalación.
- No corte el vidrio templado puesto que se despedazará si se corta.
- Retire con cuidado los productos de envase y embalaje mantendrá hasta que la instalación se haya completado.
- Inspeccione todas las piezas en busca de daños, si hay daños en la unidad antes de la instalación, póngase en contacto con el servicio al cliente al teléfono que figura en esta guía.
- Instale la ducha en un piso que esté nivelado y pueda contener el peso de la unidad y de un ocupante.
- Consulte los códigos de construcción locales y normas requeridas antes de la instalación y asegúrese de cumplirlos.
- Después de la instalación, y de tiempo en tiempo, verifique el ajuste el acabado del vidrio para asegurarse de que nada se ha aflojado con el tiempo.
- Guarde este manual de instalación para consulta en el futuro.

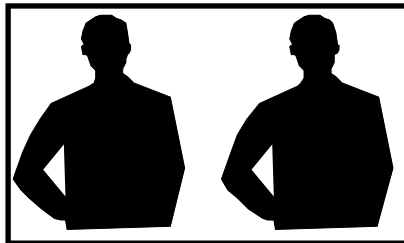
ATENCIÓN

Cualquier modificación o alteración con respecto a lo especificado en este manual de instrucción anulará toda la garantía de este producto.

El distribuidor no se hace responsable por cualquier tipo de daño a la unidad o propiedad personal ocasionado por una instalación inadecuada. Ignorar estas instrucciones anulará la garantía y ocasionará daños potenciales por agua en su hogar.

Consulte el sitio web del distribuidor para cualquier información adicional o pregunta sobre la instalación de este producto.

PREPARACIÓN



Necesitará al menos dos personas para instalar esta unidad correctamente.



ANTES DE LA INSTALACIÓN

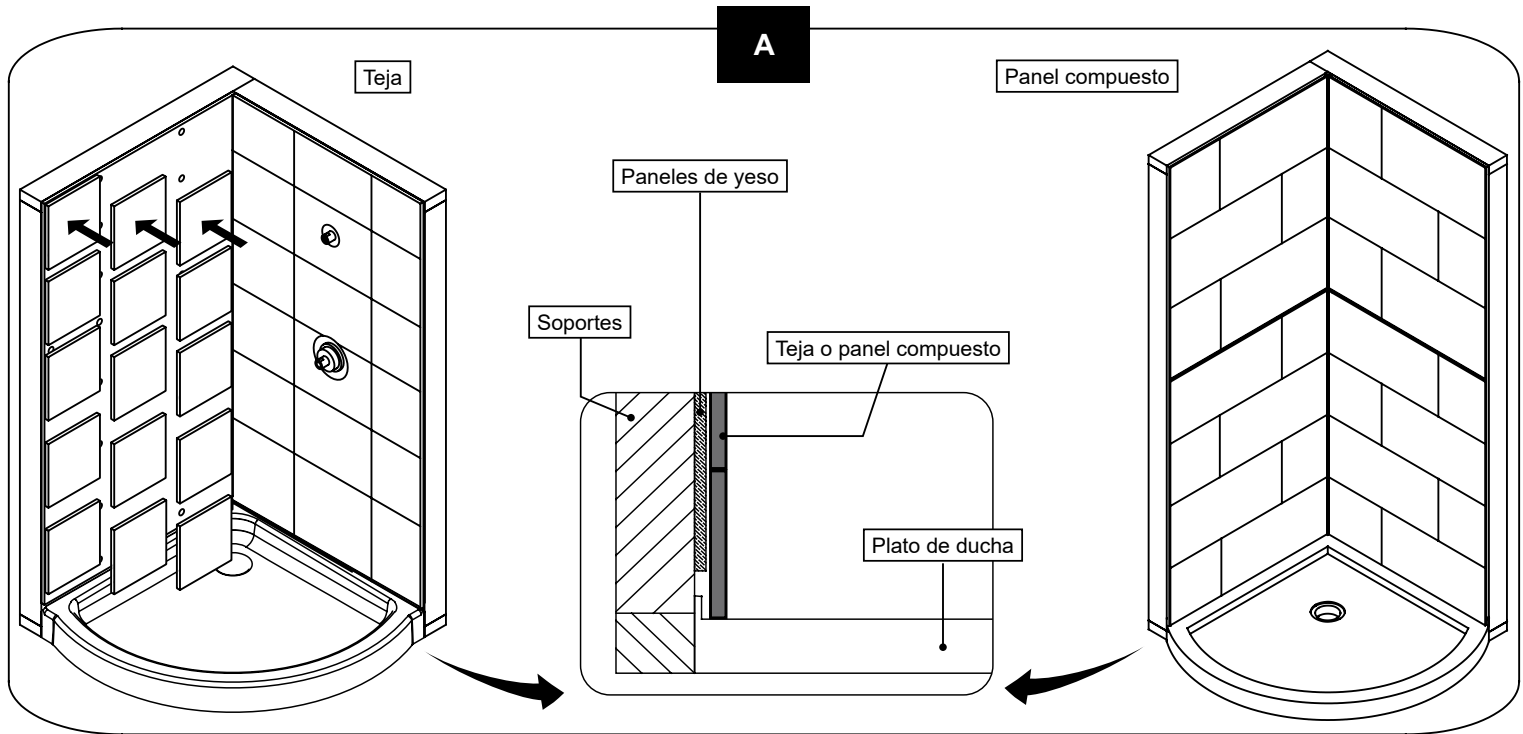


Para facilitar la instalación de este producto, lea los siguientes puntos importantes:

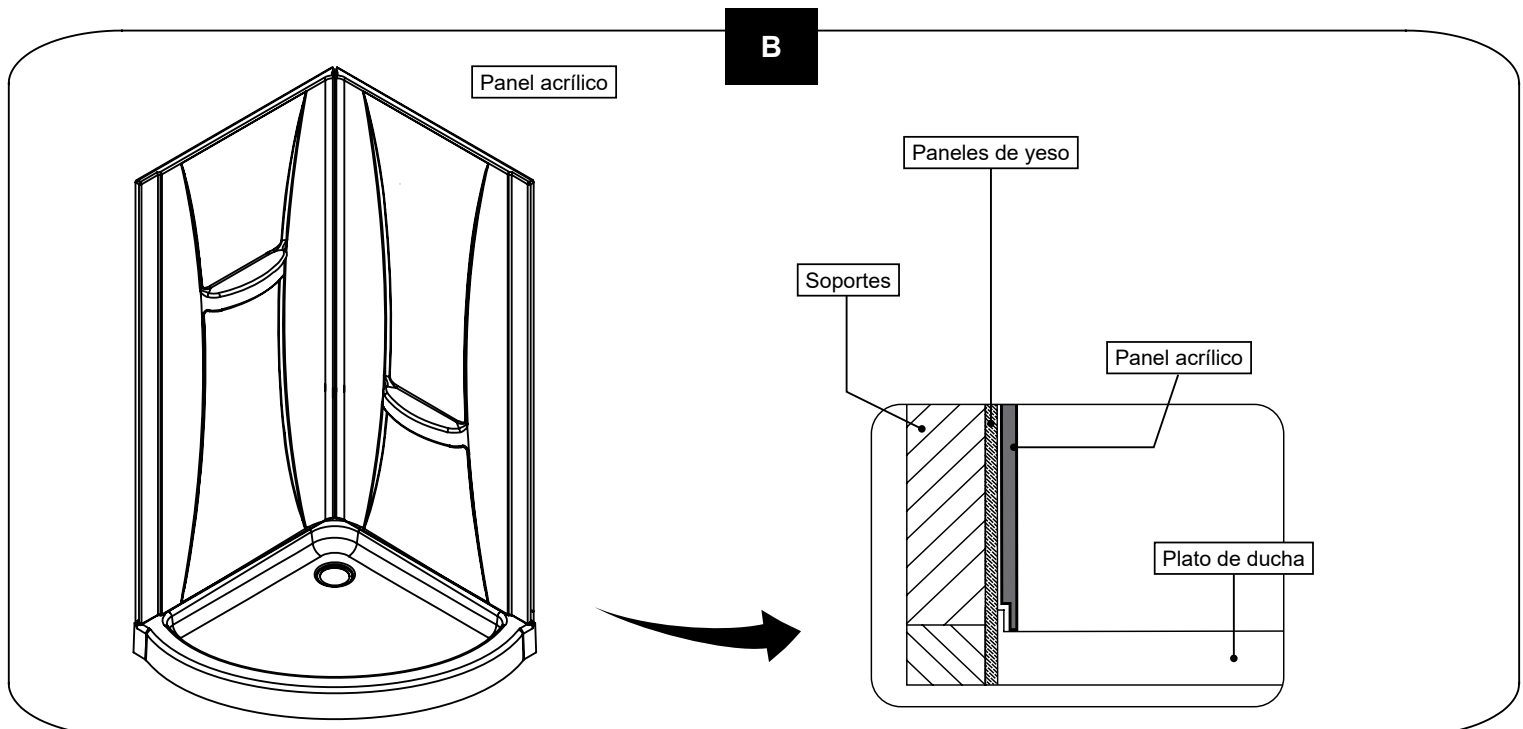
- **LEA TODAS las instrucciones antes de empezar.**
- **ASEGÚRESE de encontrar todas las piezas enumeradas en la lista de piezas de cada paquete: Puerta de ducha, Base de ducha, Pared de ducha (si se compra como kit).** Si falta alguna pieza, póngase en contacto inmediatamente con el servicio de atención al cliente llamando al 1-866-839-2888 o escribiendo a customerservice@ovedecors.com.
- Si sus paredes son de azulejos o paneles compuestos (**Opción A**) continúe en la página 15. Si utiliza los paneles acrílicos suministrados, continúe con (**Opción B**) en la página 25.

Consulte las imágenes siguientes para ver la **OPCIÓN (A)** y la **OPCIÓN (B)**.

Kit de ducha: Puerta de ducha + Base de ducha



Kit de ducha: Puerta de ducha + Base de ducha + Pared de ducha



A

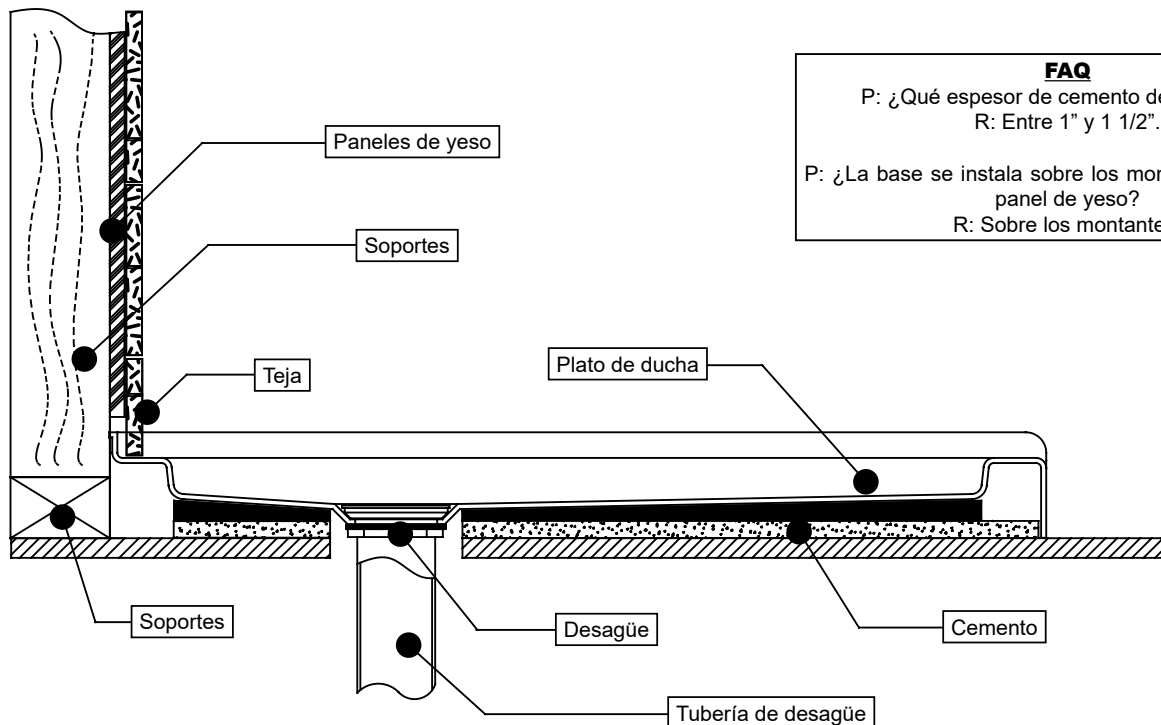
VISIÓN GENERAL DE LA INSTALACIÓN DE LA BASE (OPCIÓN A)

1. Antes de comenzar la instalación de su producto, consulte la ilustración 1 que se muestra a continuación, en la que aparece una vista lateral de la instalación finalizada.

2. La ilustración 2 muestra la estructura de pared recomendada y las medidas para la instalación del producto.

NOTA: El cliente debe seguir y cumplir los códigos locales y nacionales de construcción y fontanería. Todas las ilustraciones de este manual son sólo de referencia y no tienen precedencia sobre ningún código o normativa. Se recomienda que este producto sea instalado por un profesional.

1



FAQ

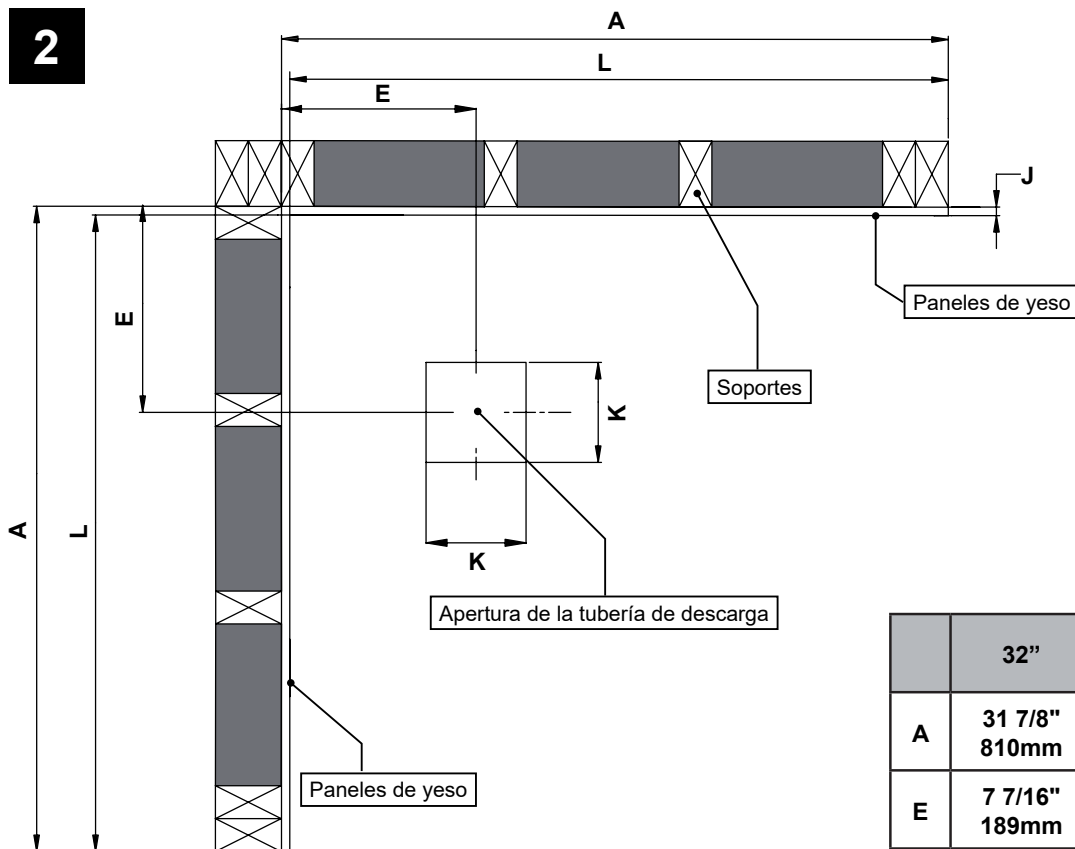
P: ¿Qué espesor de cemento debo aplicar?

R: Entre 1" y 1 1/2".

P: ¿La base se instala sobre los montantes o sobre el panel de yeso?

R: Sobre los montantes.

2

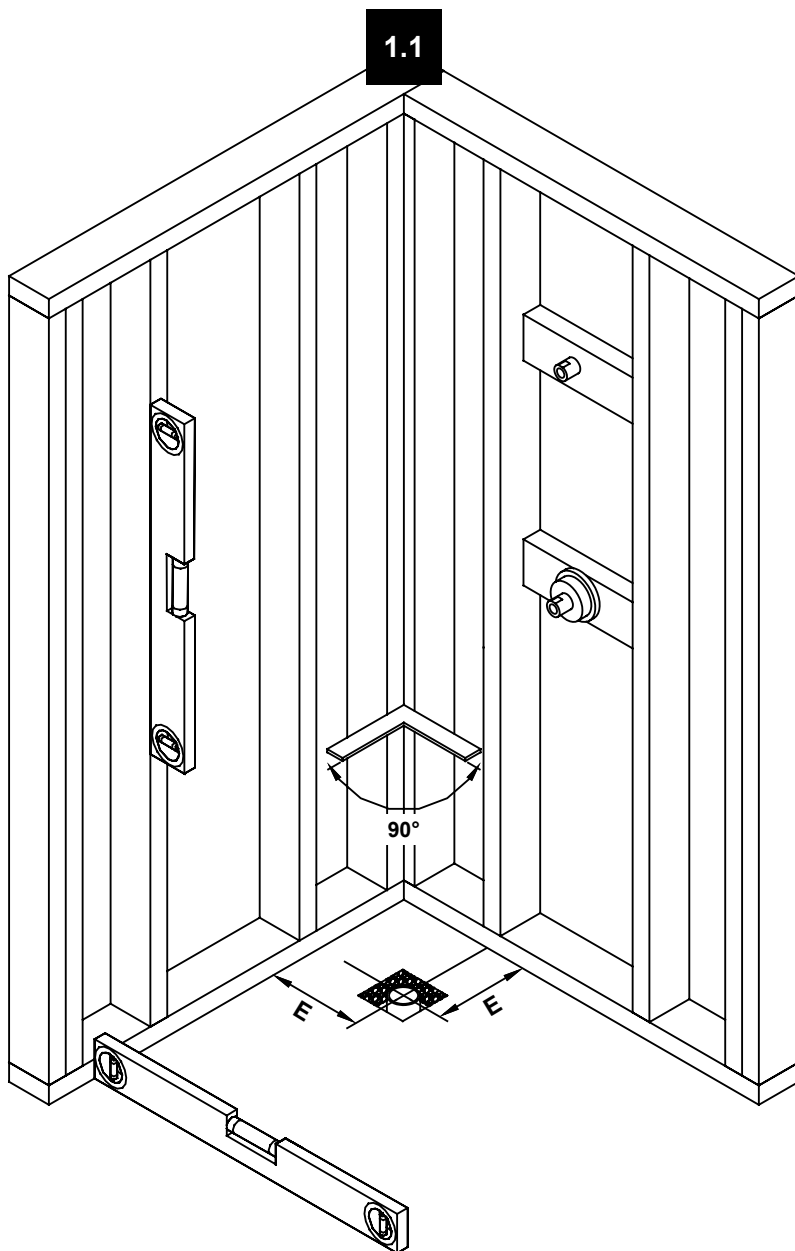


	32"	34"	36"	38"
A	31 7/8" 810mm	33 7/8" 860mm	35 15/16" 913mm	37 13/16" 960mm
E	7 7/16" 189mm	7 1/4" 184mm	12 3/8" 314mm	11 5/8" 296mm
J	1/2" 13mm	1/2" 13mm	1/2" 13mm	1/2" 13mm
K	6" 152mm	6" 152mm	6" 152mm	6" 152mm
L	31 9/16" 802mm	33 9/16" 852mm	35 1/2" 902mm	37 1/2" 952mm

1.1. Asegúrese de que la estructura del muro esté nivelada.

1.2. Coloque la base de ducha (A) en el suelo y marque el contorno con un lápiz.

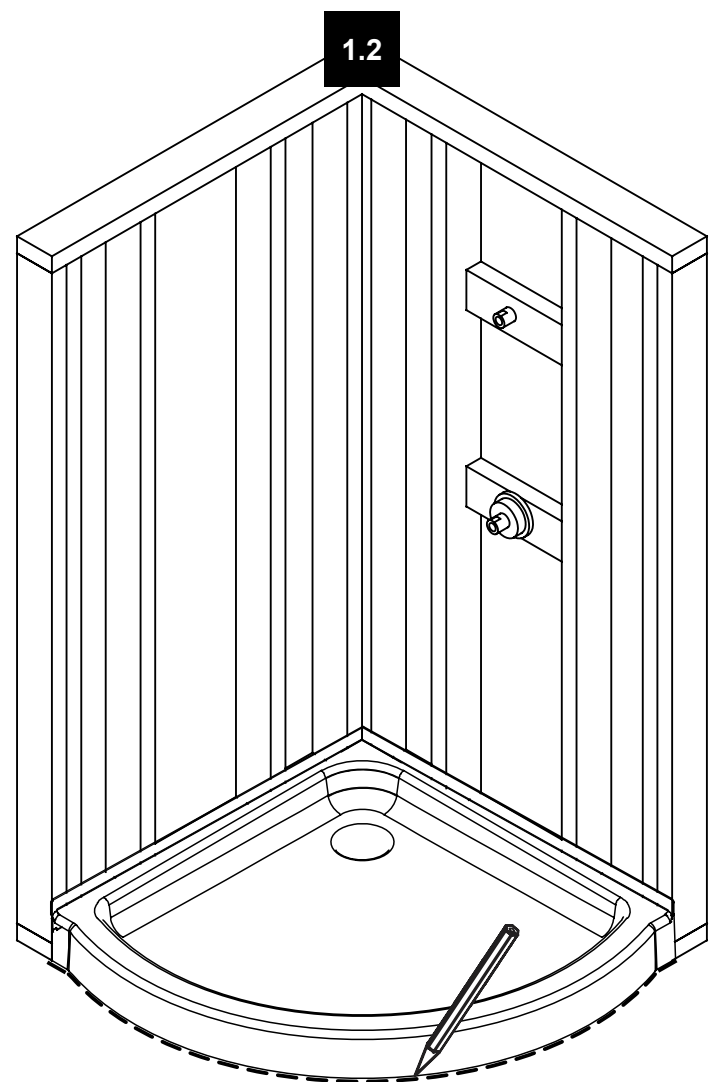
*Esta sección es sólo para la instalación de paredes de azulejos, para la instalación de paneles de pared de material compuesto, consulte el manual de instrucciones de su panel de pared de material compuesto.



	32"	34"	36"	38"
E	7 7/16" 189mm	7 1/4" 184mm	12 3/8" 314mm	11 5/8" 296mm

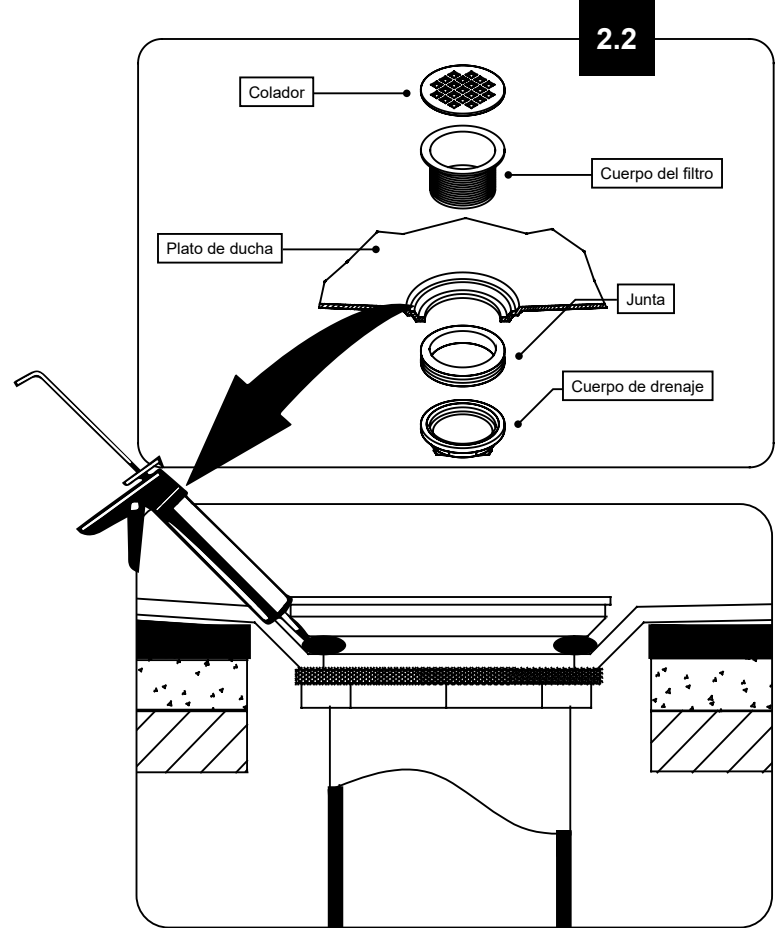
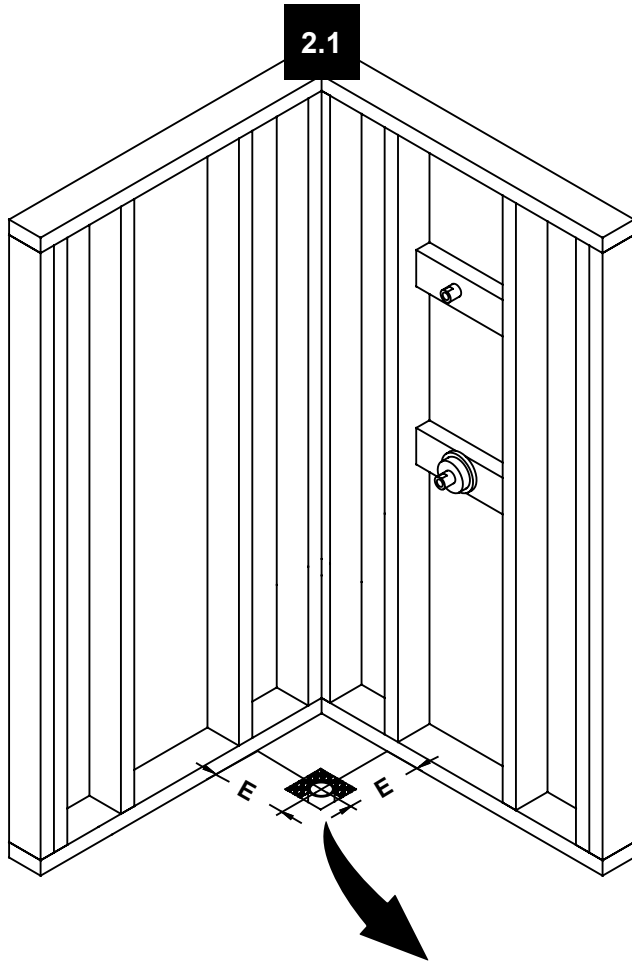
¡NO SE SUMINISTRAN!

No se suministran los montantes, los paneles de yeso ni los tornillos para paneles de yeso.

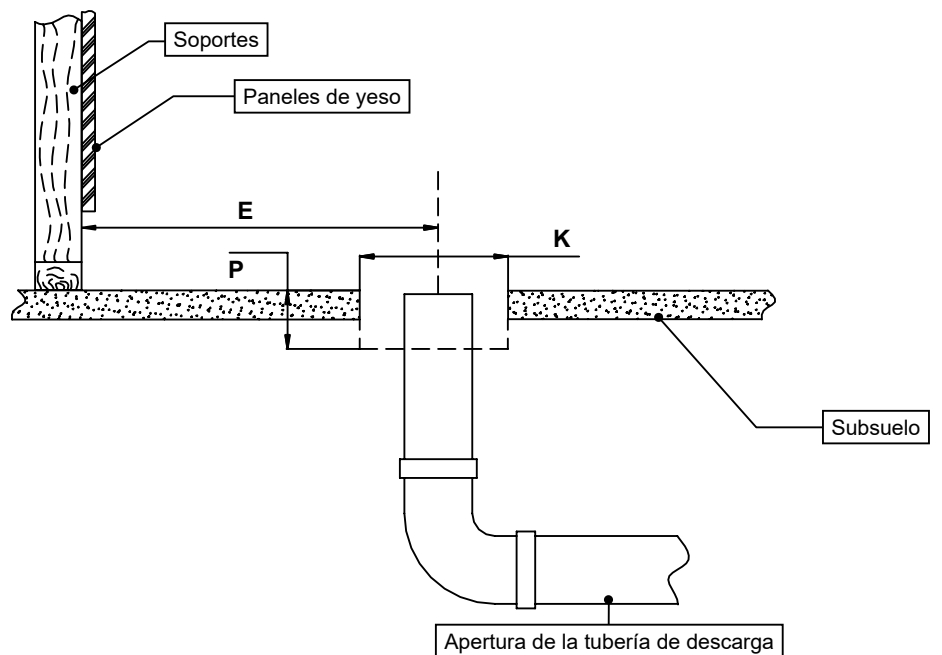


2.1. Asegúrese de que la fontanería de la tubería de desagüe está terminada.

2.2. El desagüe de la ducha no se suministra, estas ilustraciones son sólo para referencia. Se recomienda revisar la instalación del desagüe del fabricante antes de continuar. Normalmente, el cuerpo del desagüe debe sellarse en la tubería de desagüe antes de continuar con la instalación de la base. Una vez completada la instalación de la base, el cuerpo del colador se atornilla al cuerpo del desagüe. Aplique silicona debajo del cuerpo del colador para reducir los riesgos de fugas.



	32"	34"	36"	38"
E	7 7/16" 189mm	7 1/4" 184mm	12 3/8" 314mm	11 5/8" 296mm
K	6" 152mm	6" 152mm	6" 152mm	6" 152mm
P	2 1/4" 57mm	2 1/4" 57mm	2 1/4" 57mm	2 1/4" 57mm



¡NO SE SUMINISTRAN!

El desagüe de la ducha y el tubo de desagüe no se suministran.

3.1. Aplique cemento (de 1 pulg. a 1 1/2 pulg.] [2,5 a 3,8 cm] de grosor) dentro del contorno trazado de la base de la ducha. Esto ayudará a nivelar la base en los pasos siguientes. El grosor de la capa de cemento varía en función de su suelo.

3.2. Antes de colocar la base de ducha sobre el cemento, se recomienda cubrir el cemento con una fina lámina de polietileno (1/16 pulg. [2 mm]). Esto evitará que la base quede pegada permanentemente al cemento, y permitirá futuros ajustes si fuera necesario.

3.3. Nivele la base de la ducha.

¡NO SE SUMINISTRAN!

El cemento y la lámina de polietileno no se suministran.

FAQ

P: ¿Qué espesor de cemento debo aplicar?

R: Entre 1" y 1 1/2" (2,5 y 3,8 cm).

P: ¿La base se instala sobre los montantes o sobre la placa de yeso?

R: Sobre los montantes.

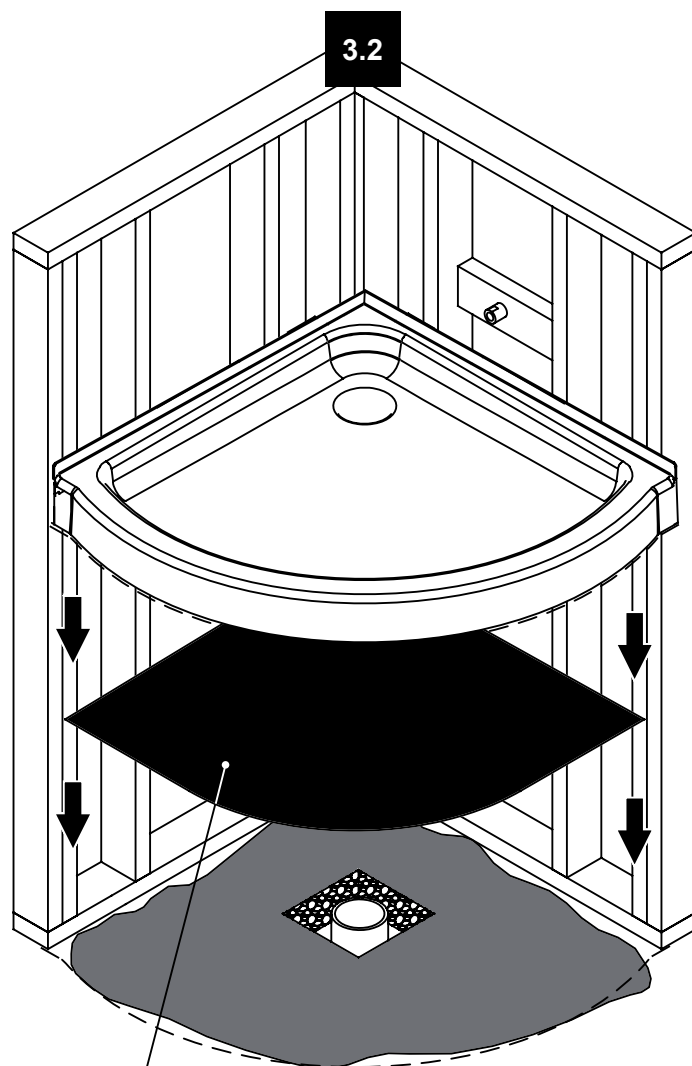
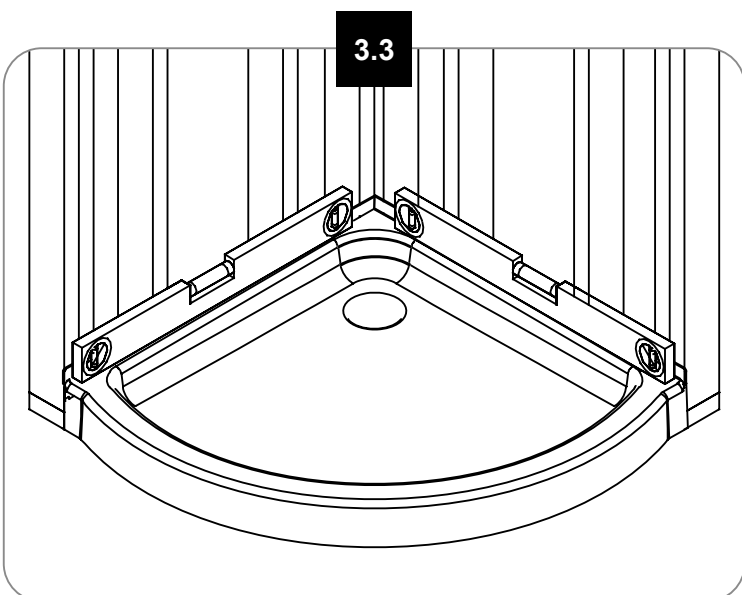
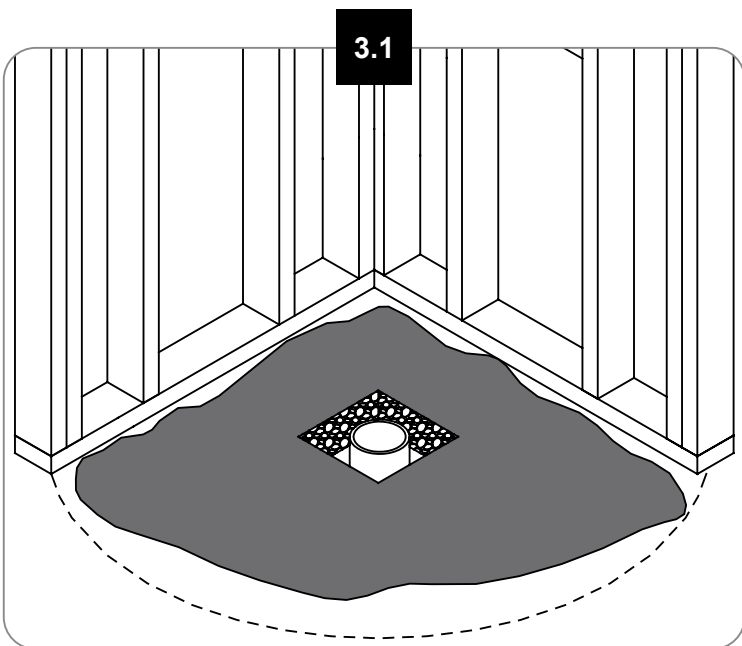
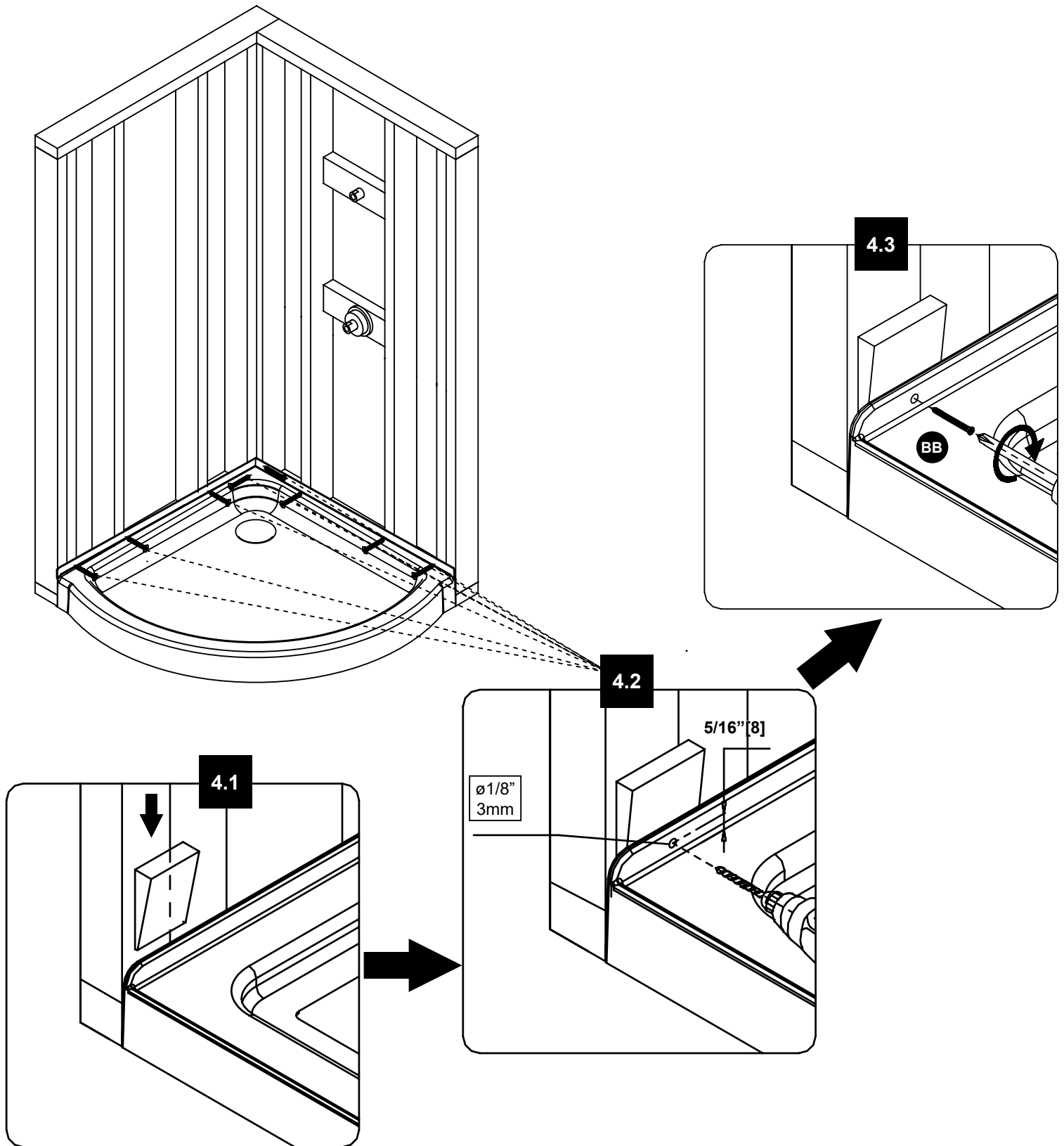


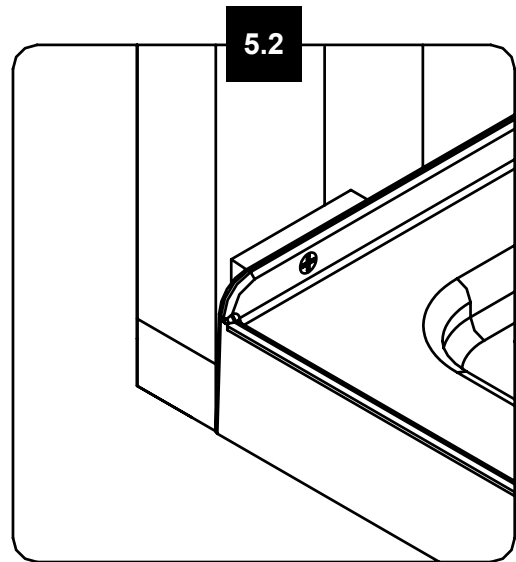
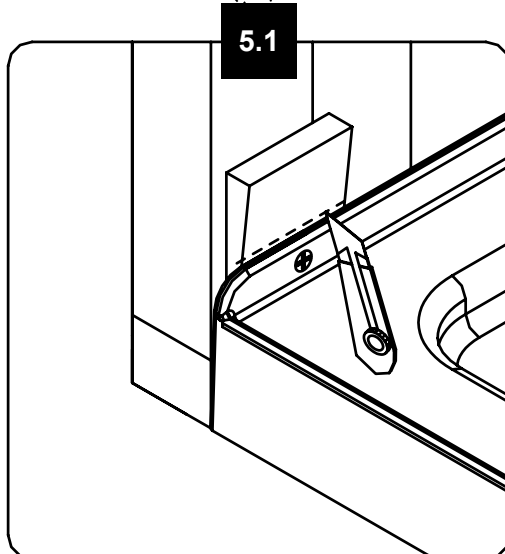
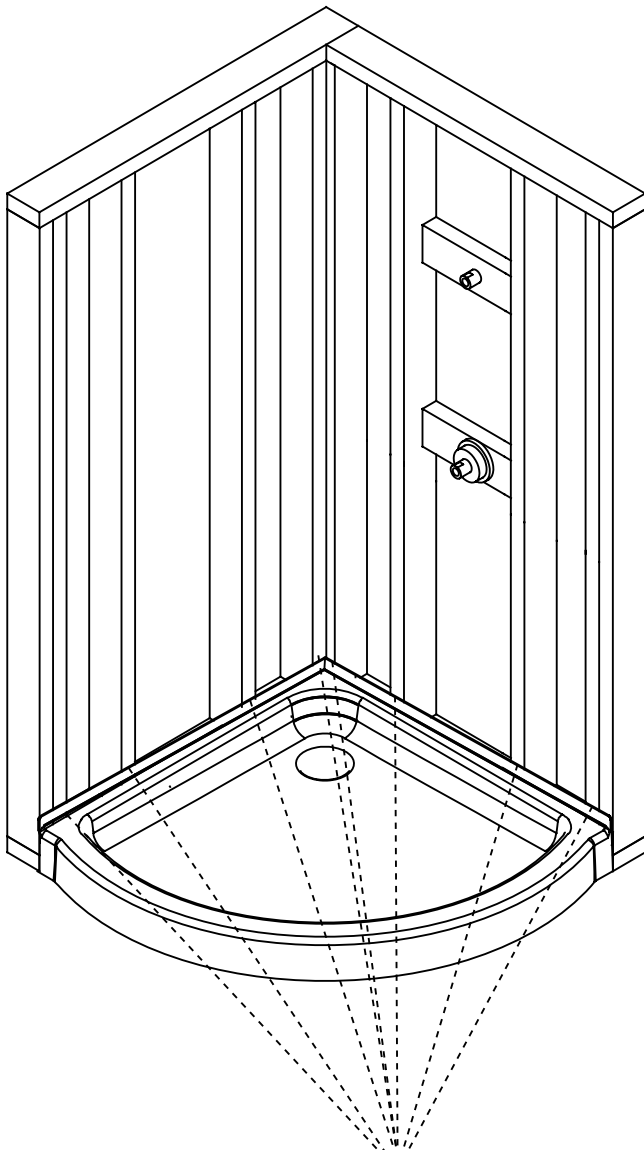
Lámina de polietileno de 2 mm de espesor

4.1. La brida de la base de ducha está ligeramente inclinada por diseño. 4.2-4.2. En los lugares donde se atornillará la base de ducha a los montantes, se recomienda utilizar calzos de madera para rellenar el hueco entre la brida de la base y los montantes.
4.2-4.3. Taladre agujeros guía y fije la base de ducha atornillándola a los montantes. Se recomienda atornillar 1 tornillo por montante y apuntar al centro del montante.



5.1. Corte la parte sobresaliente de las calzas de madera.

5.2. Deje secar el cemento durante 24 horas antes de continuar.



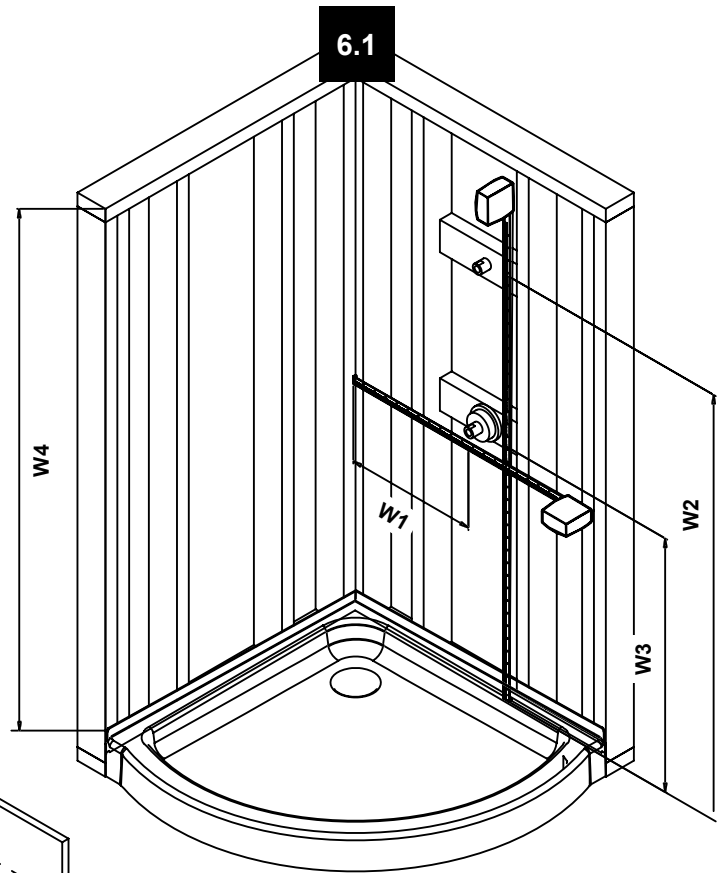
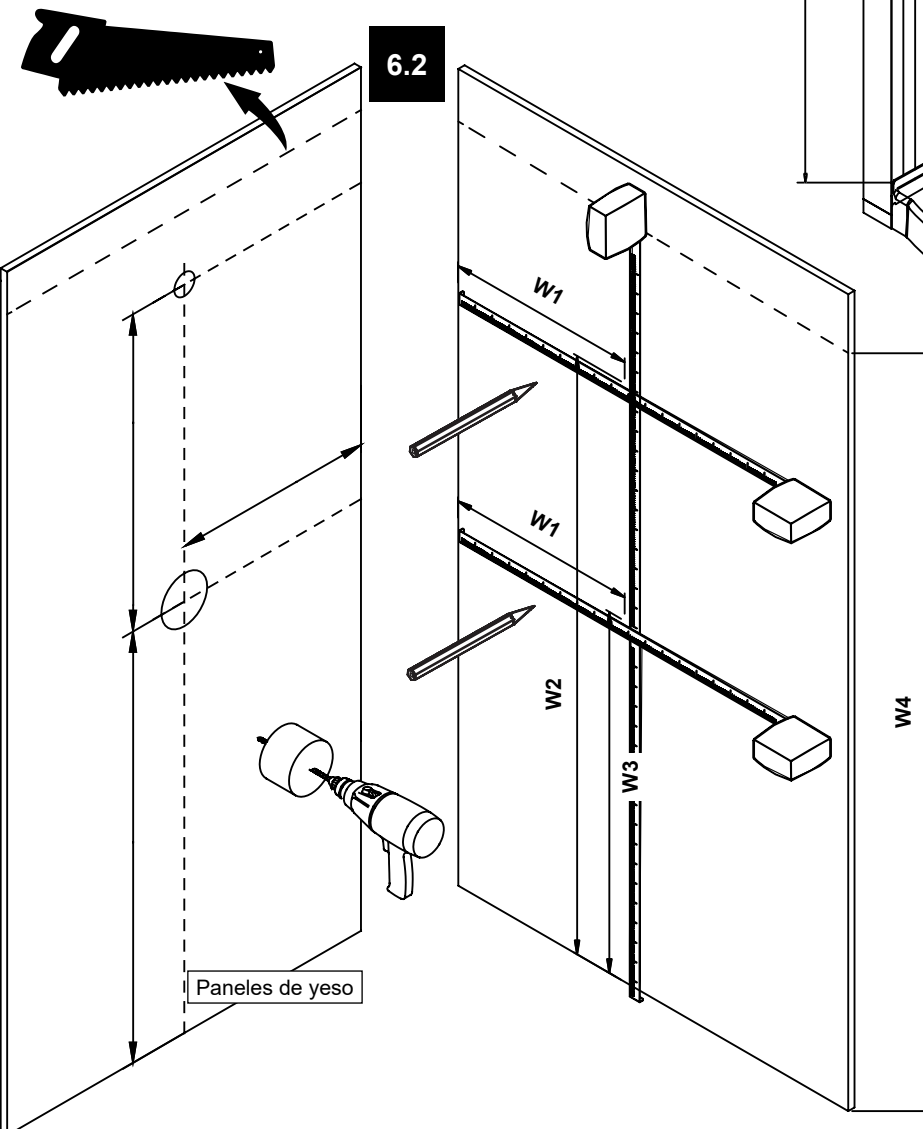
24H!

6.1. Mida la ubicación de la válvula de ducha y el brazo de ducha existentes en la pared, como se ilustra en las medidas W1, W2, W3 y W4 que aparecen a continuación.

6.2. Antes de instalar los paneles de yeso, taladre agujeros en las ubicaciones medidas para la fontanería existente en la pared. Utilice una broca de sierra de perforación para cortar limpiamente a través de los paneles de yeso. Corte también los paneles de yeso a la altura correcta.

¡NO SE SUMINISTRAN!

No se suministran los montantes, los paneles de yeso ni los tornillos para paneles de yeso.

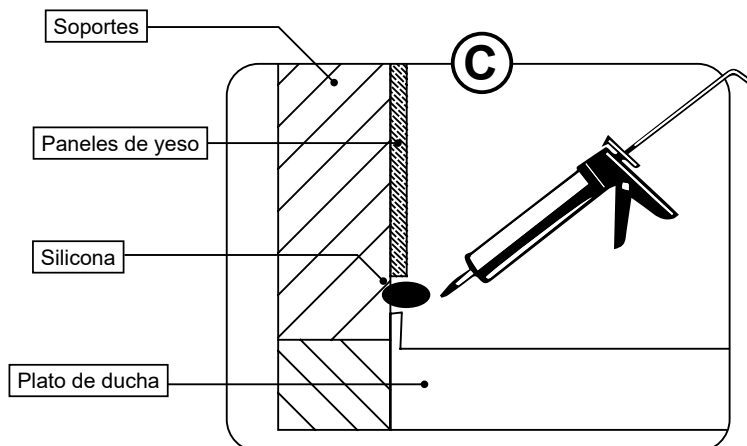
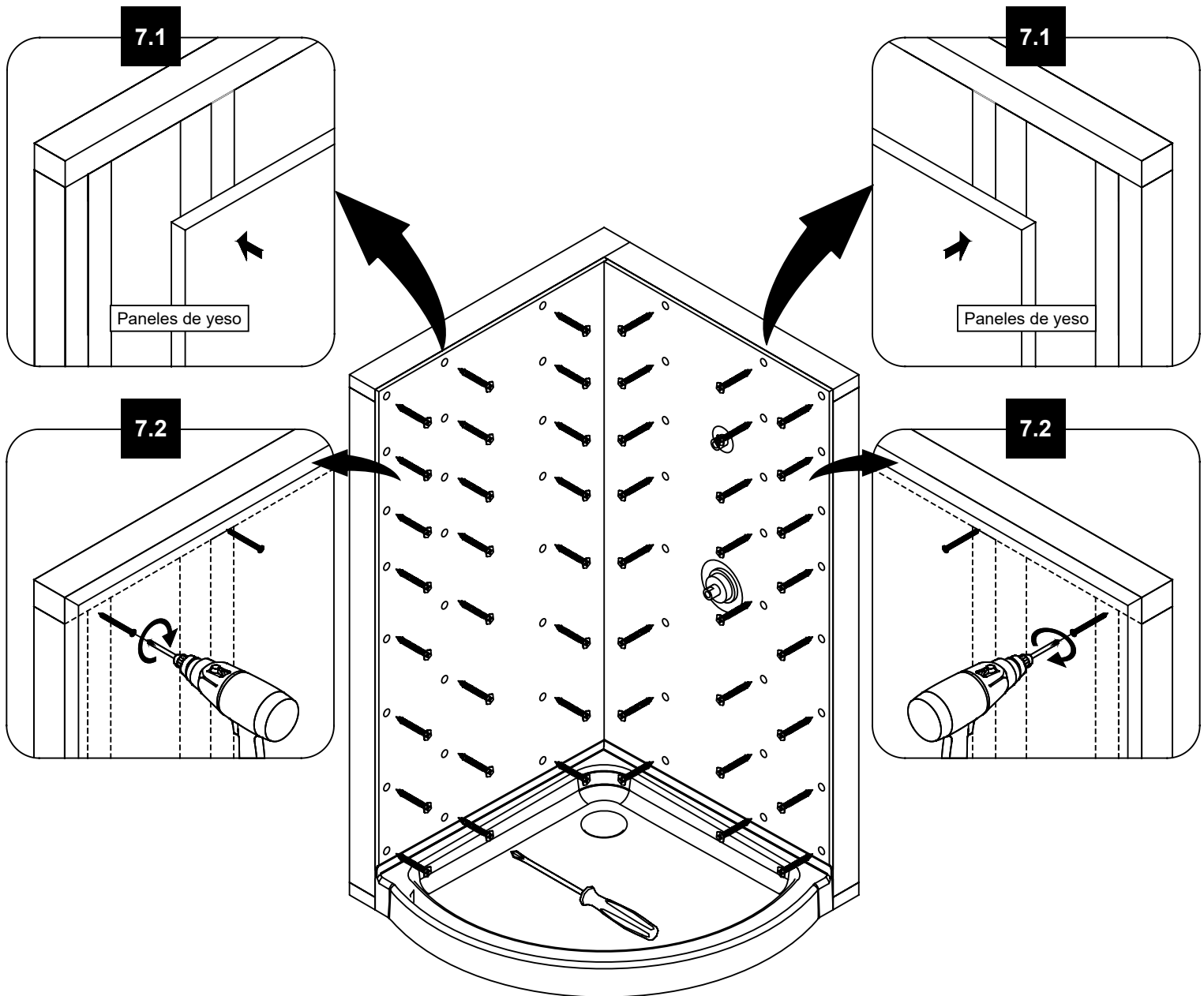


¡CONSEJO ÚTIL!

Puede alquilar una broca de sierra de perforación del tamaño adecuado en su tienda local de alquiler de herramientas.

7.1-7.2. Fije los paneles de yeso a los montantes con tornillos para paneles de yeso. Siga los requisitos del código de construcción aplicable.

7.3. Tenga en cuenta que los paneles de yeso deben apoyarse sobre la brida de la base de la ducha y sellarse entre sí con un cordón de silicona.



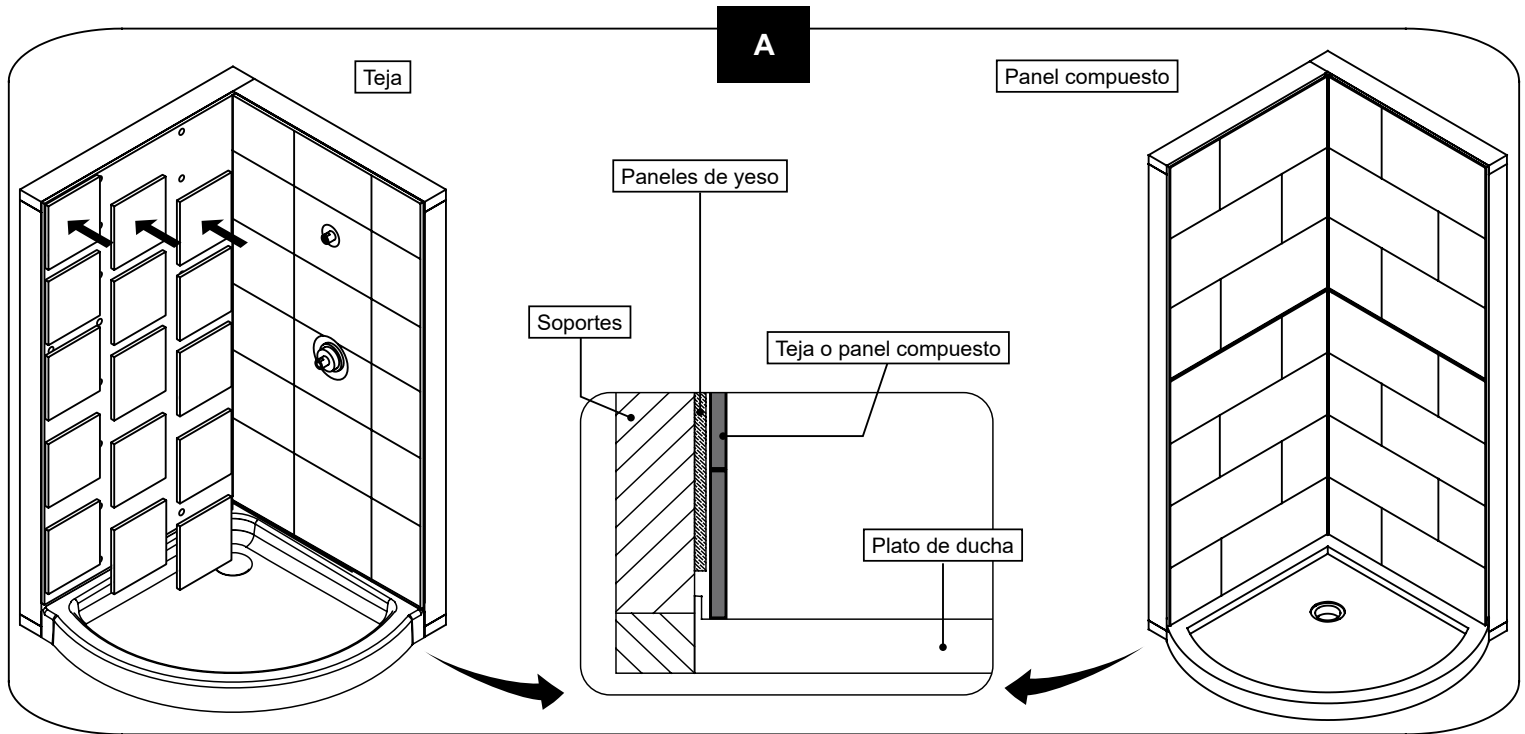


INSTALACIÓN DE AZULEJOS O PAREDES DE DUCHA

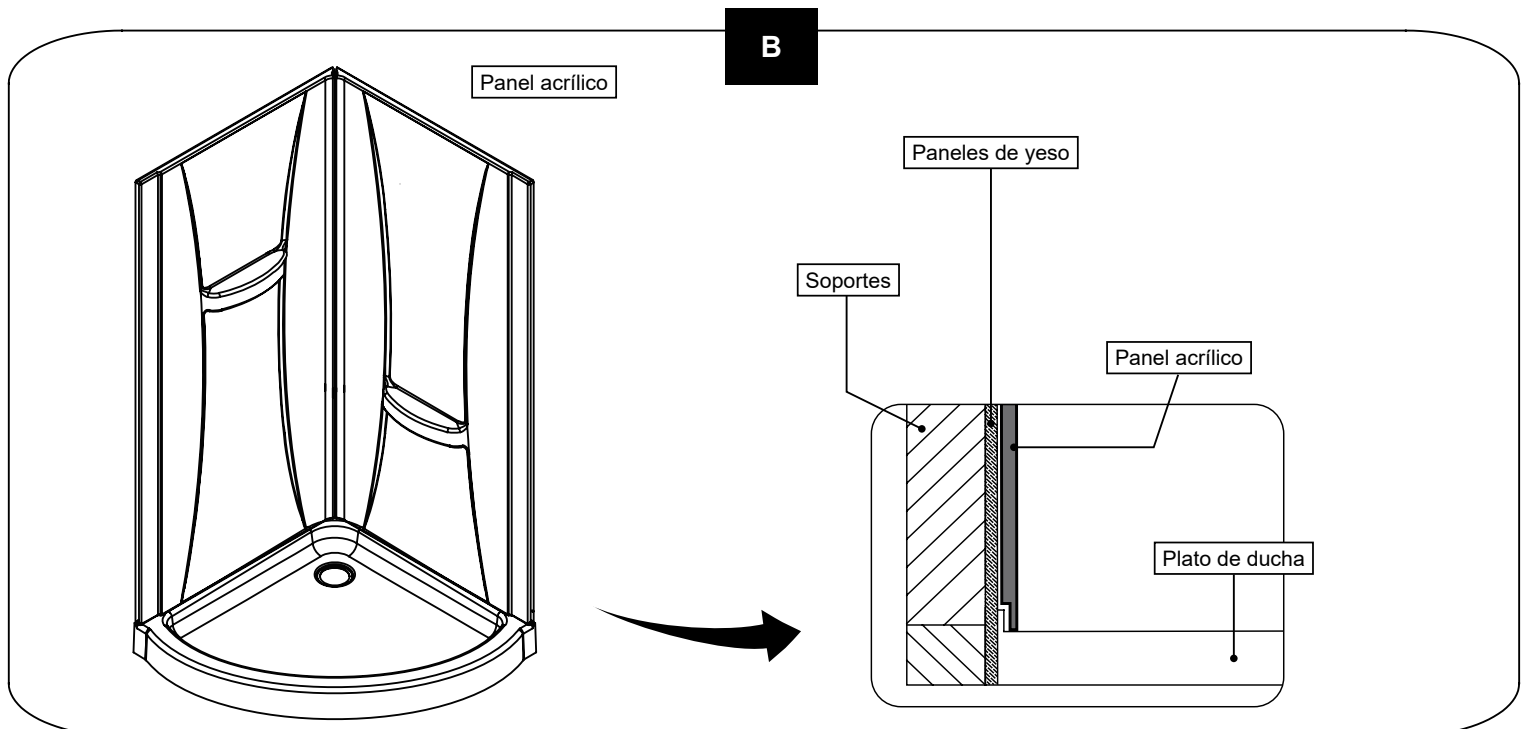


- Si sus paredes son de azulejos o paneles compuestos (**Opción A**) continúe en la página siguiente. Si utiliza los paneles acrílicos suministrados, continúe con (**Opción B**) en la página 25.
- Consulte las imágenes siguientes para ver la **OPCIÓN (A)** y la **OPCIÓN (B)**.

Kit de ducha: Puerta de ducha + Base de ducha



Kit de ducha: Puerta de ducha + Base de ducha + Pared de ducha

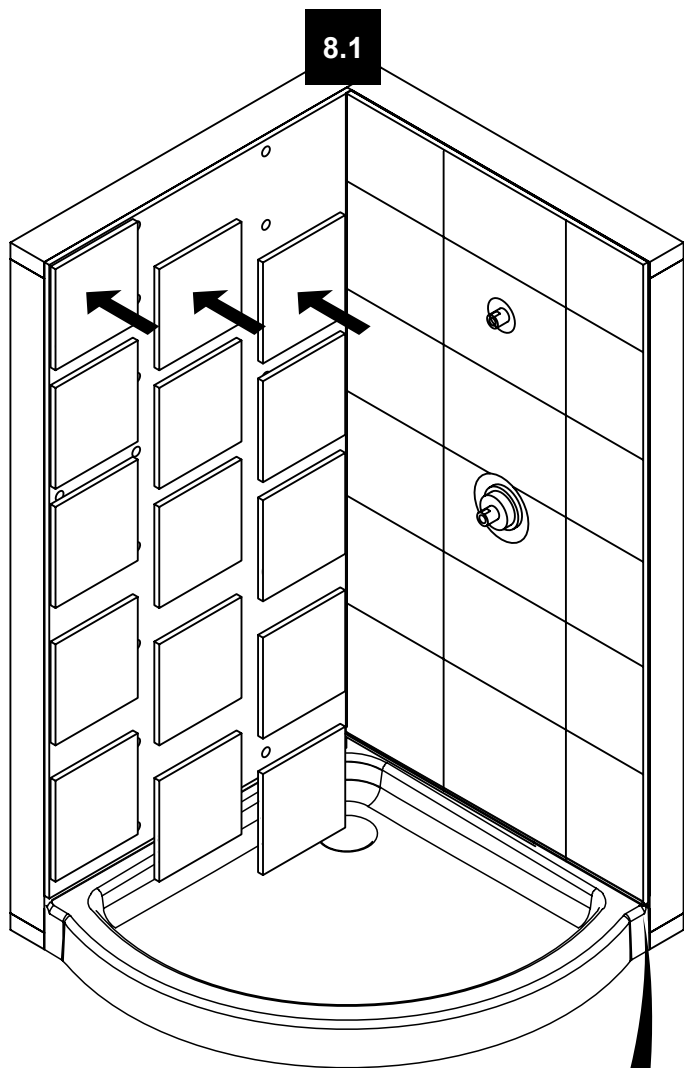
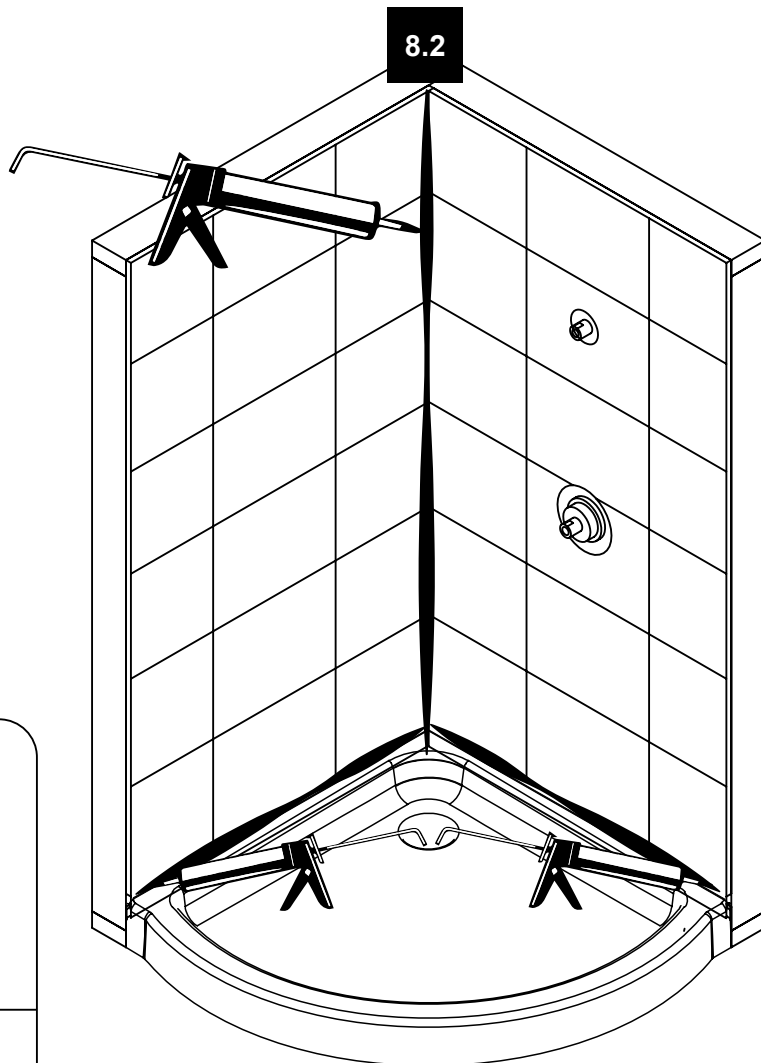


A**8****BASE DE INSTALACIÓN BALDOSAS O PANELES MURALES COMPUESTOS (NO SUMINISTRADOS)**

- 8.1. Instale los azulejos en la pared.
8.2. Selle todas las juntas con silicona.



CONTINÚE ESTA INSTALACIÓN EN EL PASO#1 DE LA PÁGINA DE INSTALACIÓN DE LA MAMPARA DE DUCHA

8.1**8.2**

Soportes

Paneles de yeso

Teja

Plato de ducha

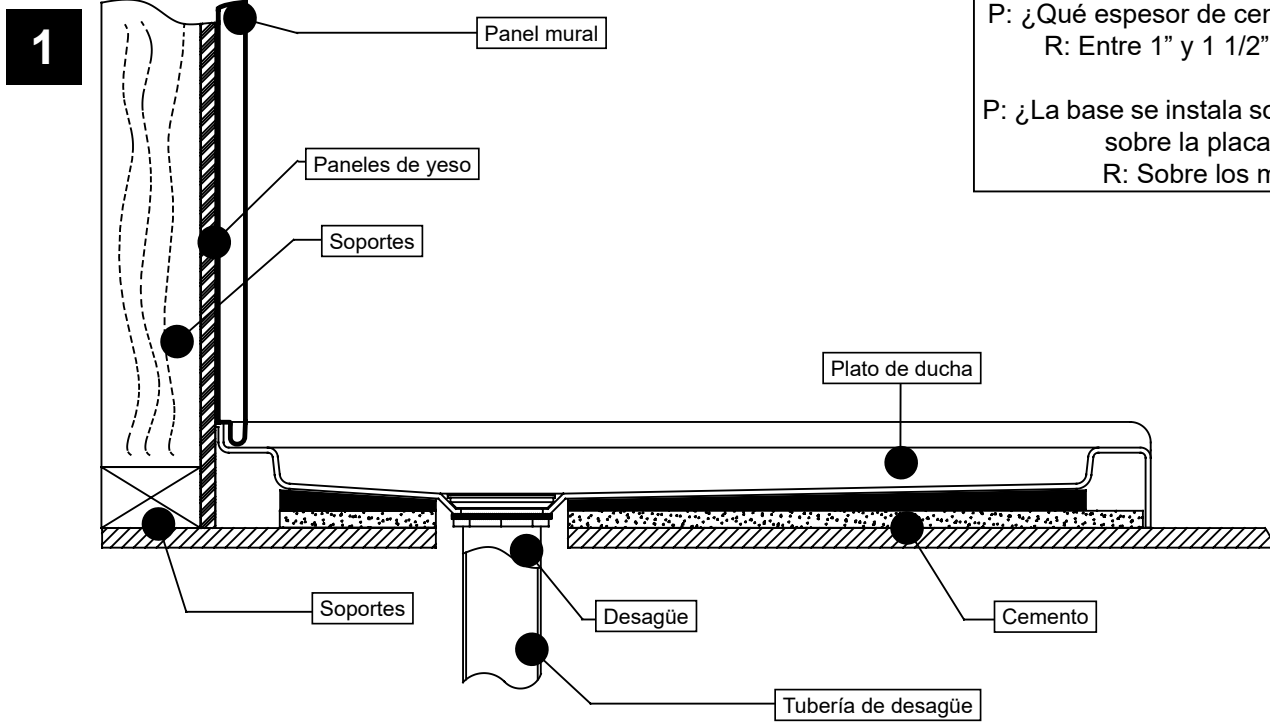
B

VISIÓN GENERAL DE LA INSTALACIÓN DE LA BASE (OPCIÓN B)

1. Antes de comenzar la instalación de su producto, consulte la ilustración 1 que se muestra a continuación, en la que aparece una vista lateral de la instalación finalizada.

2. La ilustración 2 muestra la estructura de pared recomendada y las medidas para la instalación del producto.

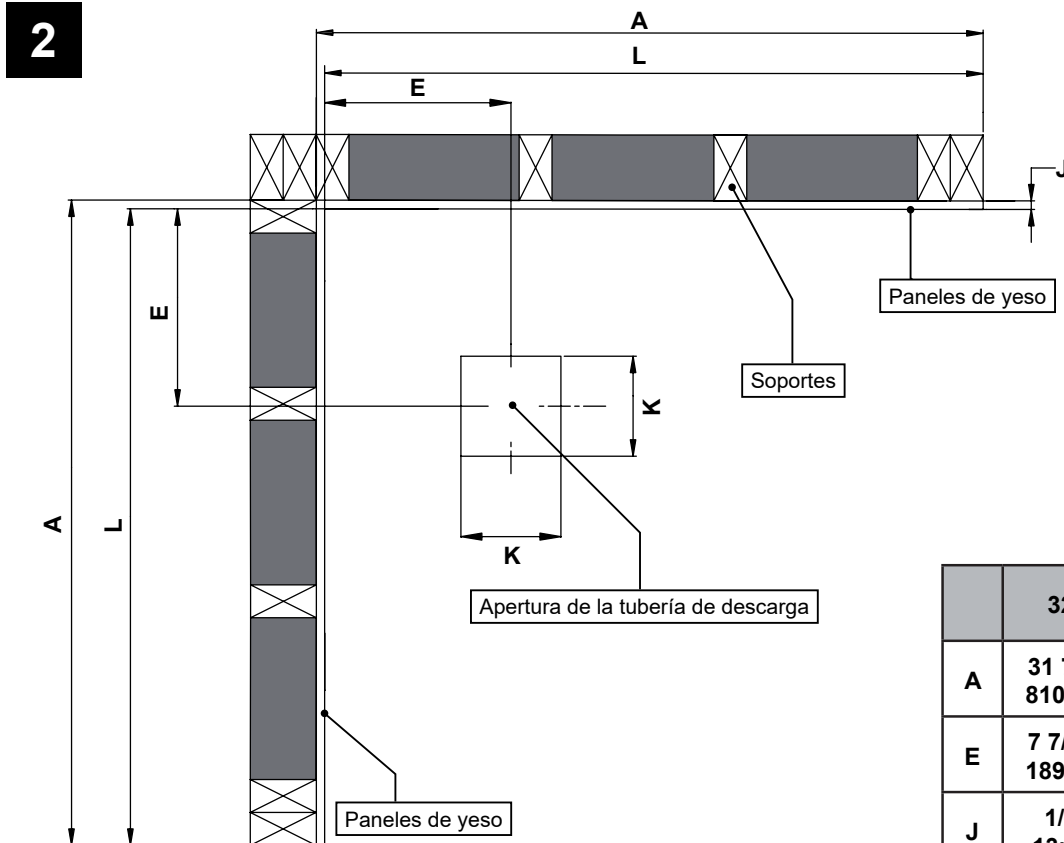
NOTA: El cliente debe seguir y cumplir los códigos locales y nacionales de construcción y fontanería. Todas las ilustraciones de este manual son sólo de referencia y no tienen precedencia sobre ningún código o normativa. Se recomienda que este producto sea instalado por un profesional.



FAQ

P: ¿Qué espesor de cemento debo aplicar?
R: Entre 1" y 1 1/2" (2,5 y 3,8 cm).

P: ¿La base se instala sobre los montantes o sobre la placa de yeso?
R: Sobre los montantes.



	32"	34"	36"	38"
A	31 7/8" 810mm	33 7/8" 860mm	35 15/16" 913mm	37 13/16" 960mm
E	7 7/16" 189mm	7 1/4" 184mm	12 3/8" 314mm	11 5/8" 296mm
J	1/2" 13mm	1/2" 13mm	1/2" 13mm	1/2" 13mm
K	6" 152mm	6" 152mm	6" 152mm	6" 152mm
L	31 9/16" 815mm	33 9/16" 865mm	35 1/2" 915mm	37 1/2" 965mm

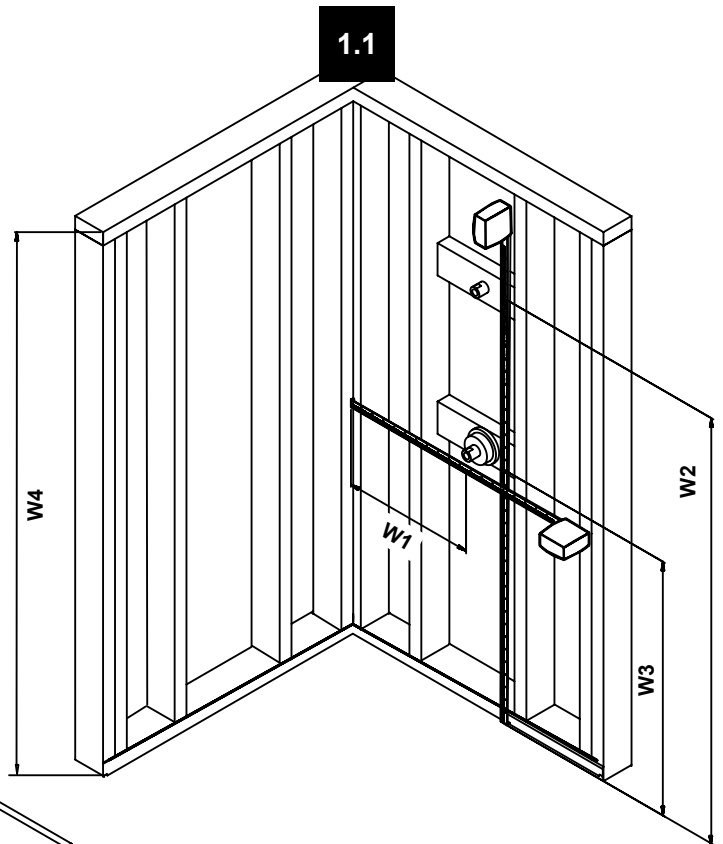
1.1. Mida la ubicación de la válvula de ducha y el brazo de ducha existentes en la pared, como se ilustra en las medidas W1, W2, W3 y W4 que aparecen a continuación.

1.2. Antes de instalar los paneles de yeso, taladre agujeros en las ubicaciones medidas para la fontanería existente en la pared. Utilice una broca de sierra de perforación para cortar limpiamente a través de los paneles de yeso. Corte también los paneles de yeso a la altura correcta.

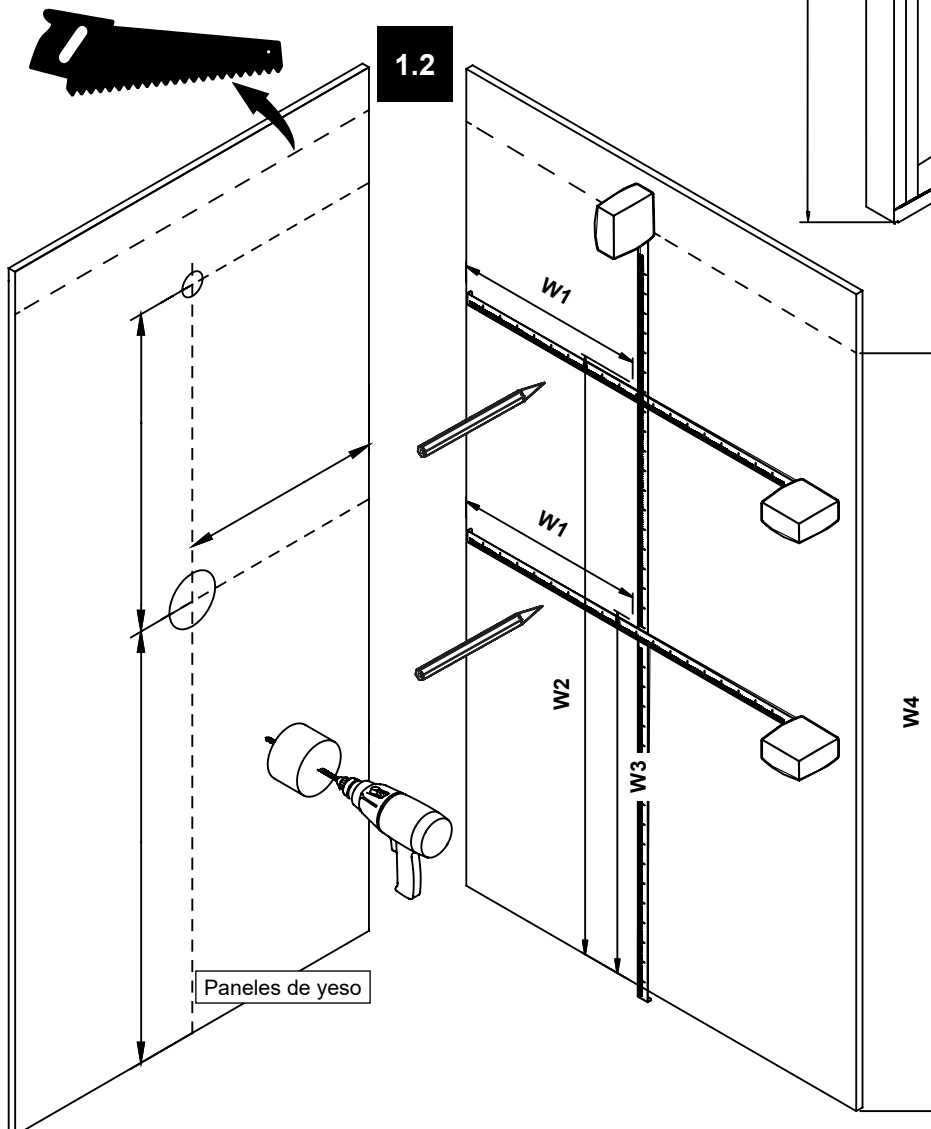
¡NO SE SUMINISTRAN!

No se suministran los montantes, los paneles de yeso ni los tornillos para paneles de yeso.

1.1



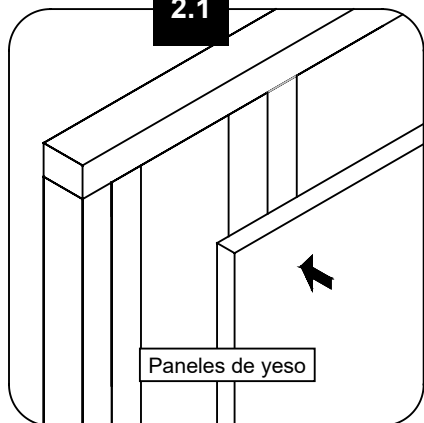
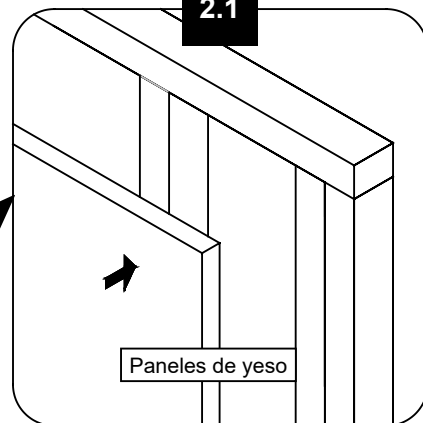
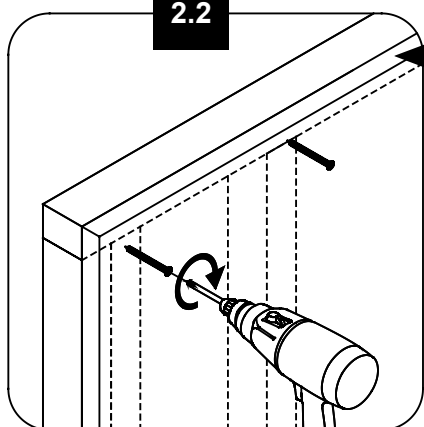
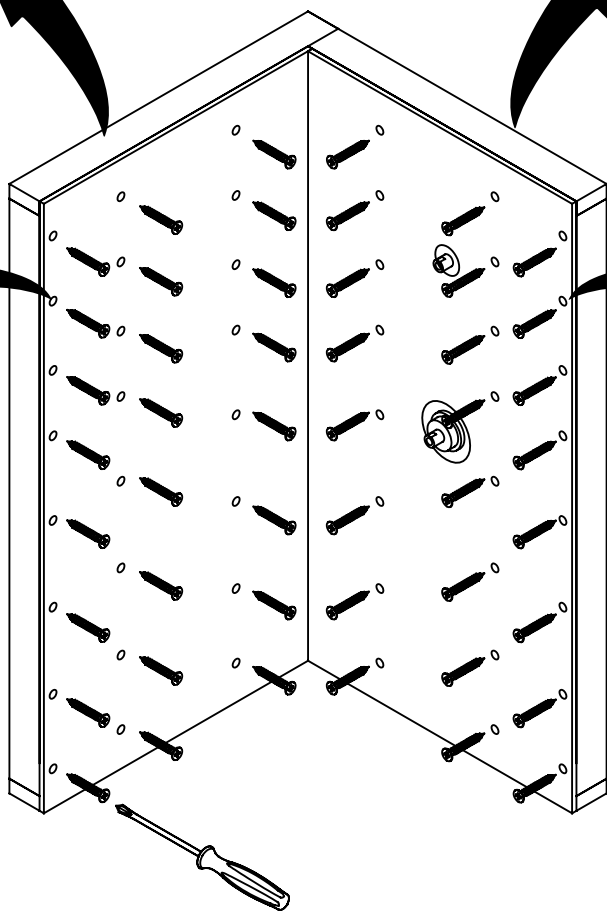
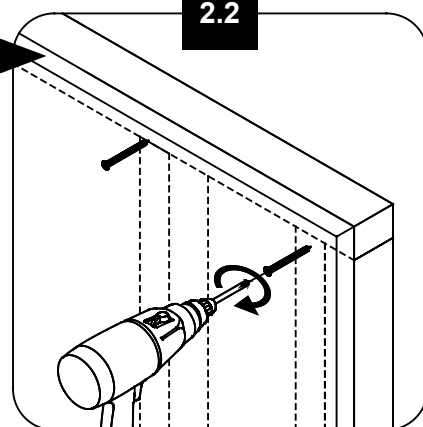
1.2



¡CONSEJO ÚTIL!

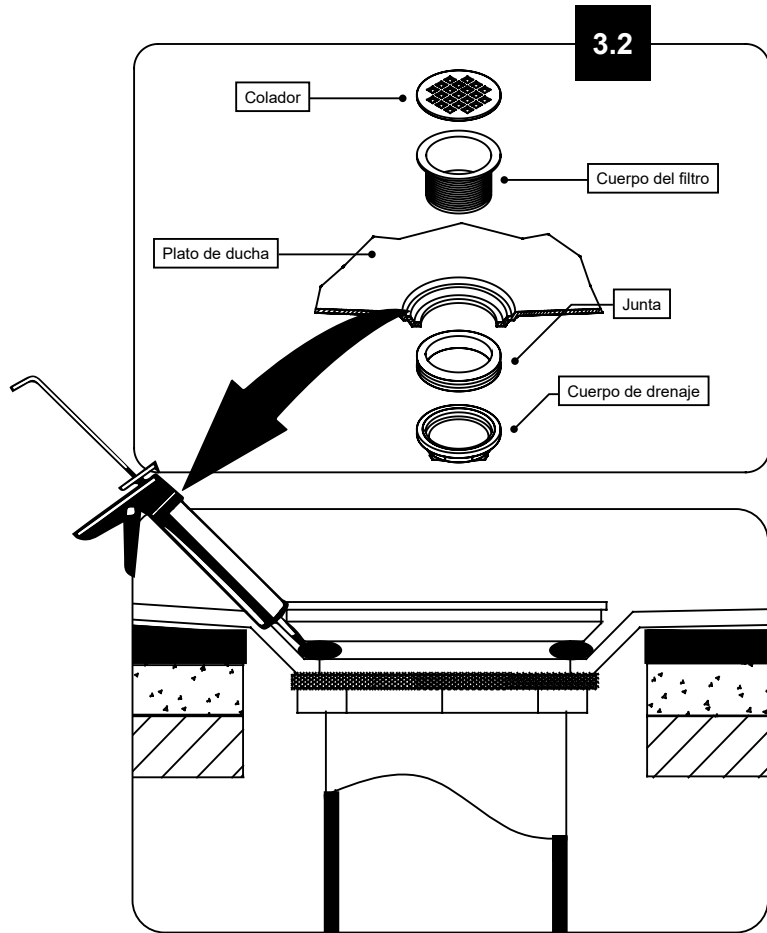
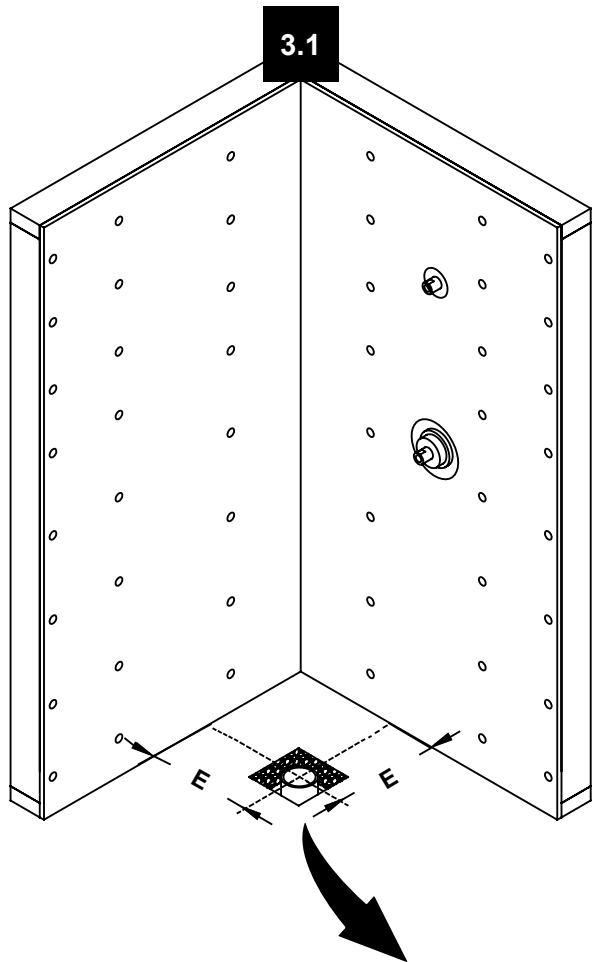
Puede alquilar una broca de sierra de perforación del tamaño adecuado en su tienda local de alquiler de herramientas.

2.1-2.2. Fije los paneles de yeso a los montantes con tornillos para paneles de yeso. Siga los requisitos del código de construcción aplicable.

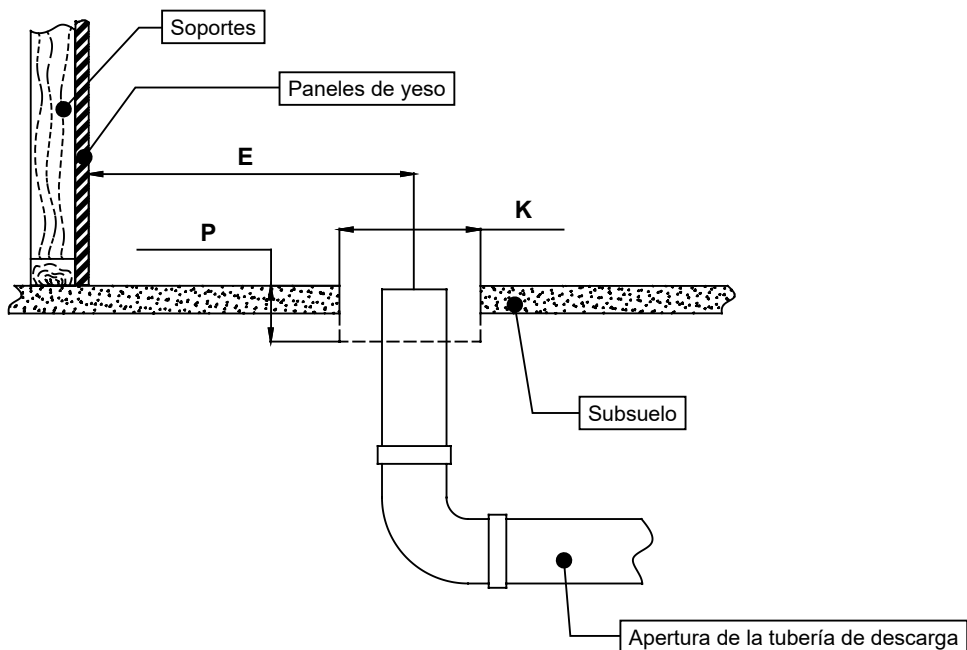
2.1**2.1****2.2****2.2**

3.1. Asegúrese de que la fontanería de la tubería de desagüe está terminada.

3.2. El desagüe de la ducha no se suministra, estas ilustraciones son sólo para referencia. Se recomienda revisar la instalación del desagüe del fabricante antes de continuar. Normalmente, el cuerpo del desagüe debe sellarse en la tubería de desagüe antes de continuar con la instalación de la base. Una vez completada la instalación de la base, el cuerpo del colador se atornilla al cuerpo del desagüe. Aplique silicona debajo del cuerpo del colador para reducir los riesgos de fugas.



	32"	34"	36"	38"
E	7 7/16" 189mm	7 1/4" 184mm	12 3/8" 314mm	11 5/8" 296mm
K	6" 152mm	6" 152mm	6" 152mm	6" 152mm
P	2 1/4" 57mm	2 1/4" 57mm	2 1/4" 57mm	2 1/4" 57mm



¡NO SE SUMINISTRAN!
El desagüe de la ducha y el tubo de desagüe no se suministran.

4.1. Aplique cemento (de 2,5 a 3,8 cm [1 pulg. a 1 1/2 pulg.] de espesor) dentro del contorno trazado de la base de la ducha. Esto ayudará a nivelar la base en los pasos siguientes. El grosor de la capa de cemento varía en función de su suelo.

4.2. Antes de colocar la base de ducha sobre el cemento, se recomienda cubrir el cemento con una fina lámina de polietileno (2 mm [1/16 pulg.]). Esto evitará que la base quede pegada permanentemente al cemento, y permitirá futuros ajustes si fuera necesario.

4.3. Nivele la base de la ducha.

¡NO SE SUMINISTRAN!

El cemento y la lámina de polietileno no se suministran.

FAQ

P: ¿Qué espesor de cemento debo aplicar?

R: Entre 1" y 1 1/2" (2,5 y 3,8 cm).

P: ¿La base se instala sobre los montantes o sobre la placa de yeso?

R: Sobre los montantes.

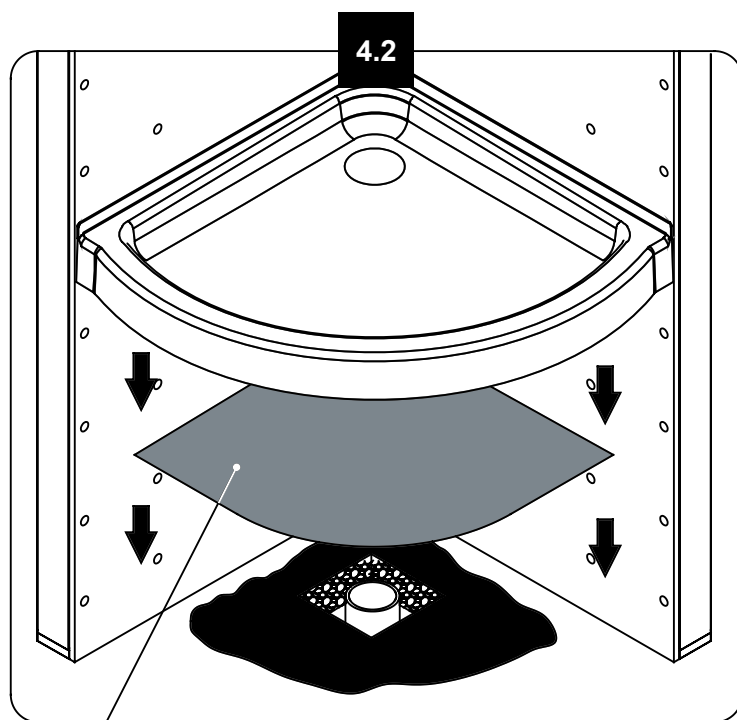
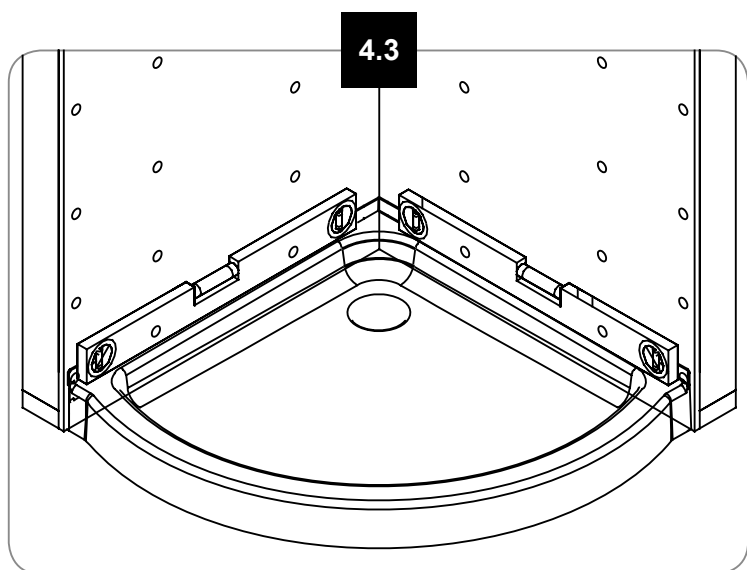
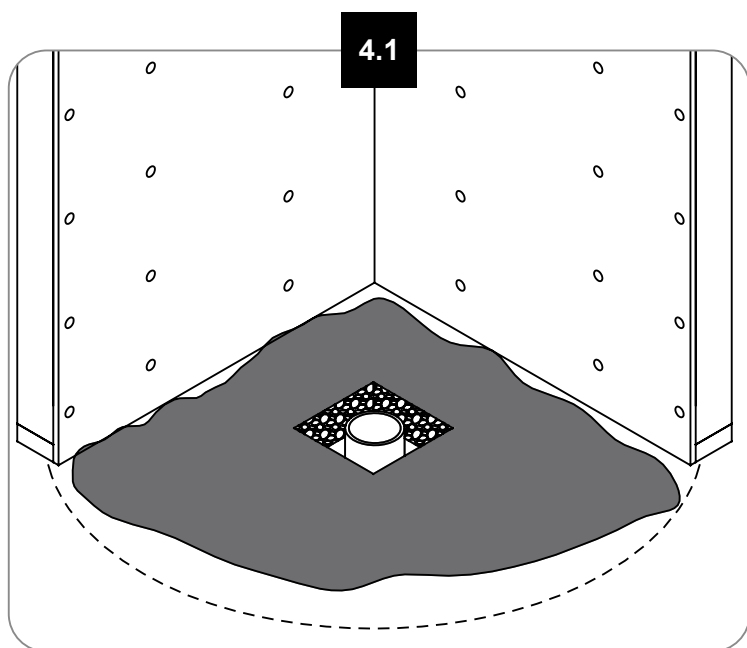
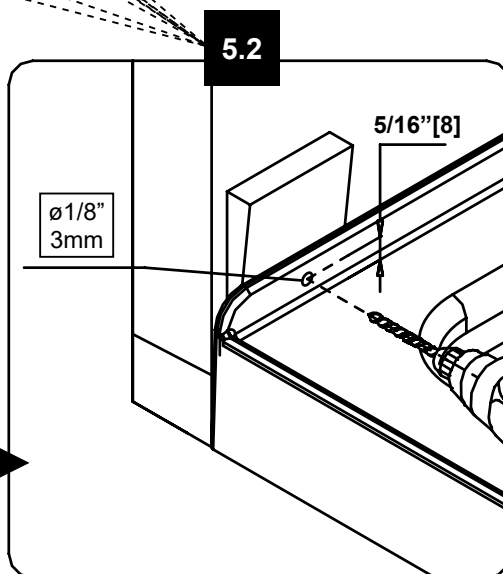
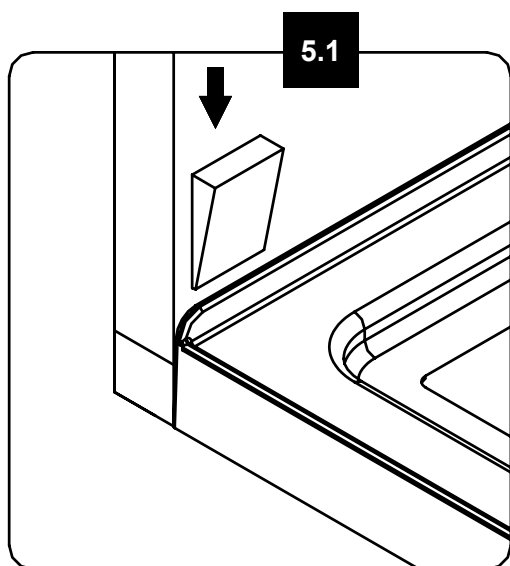
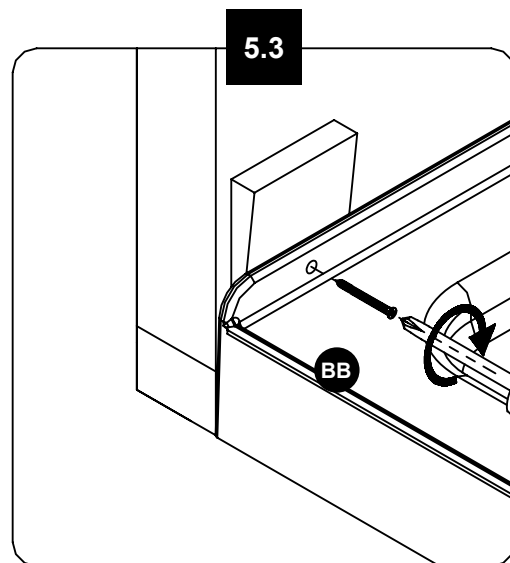
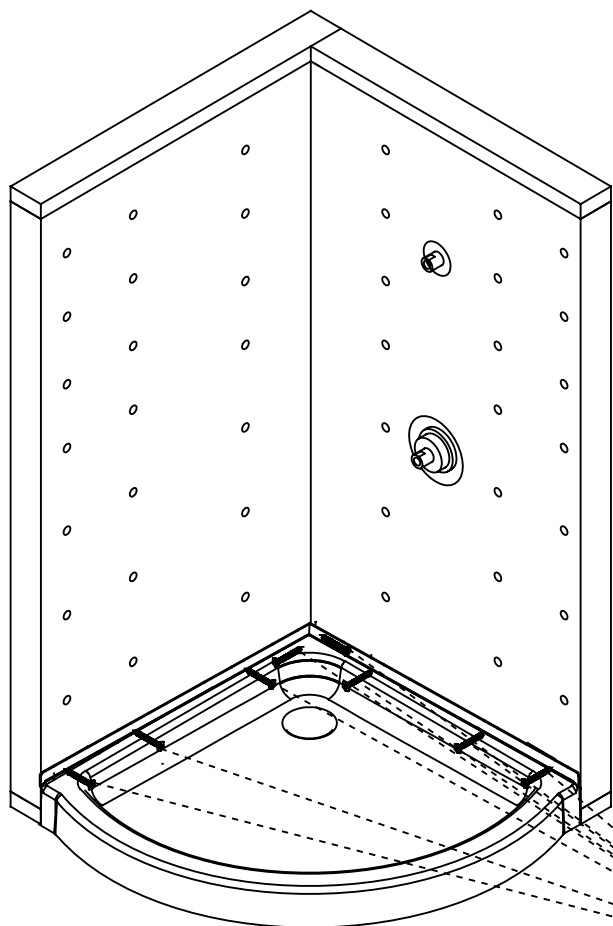


Lámina de polietileno de 2 mm de espesor

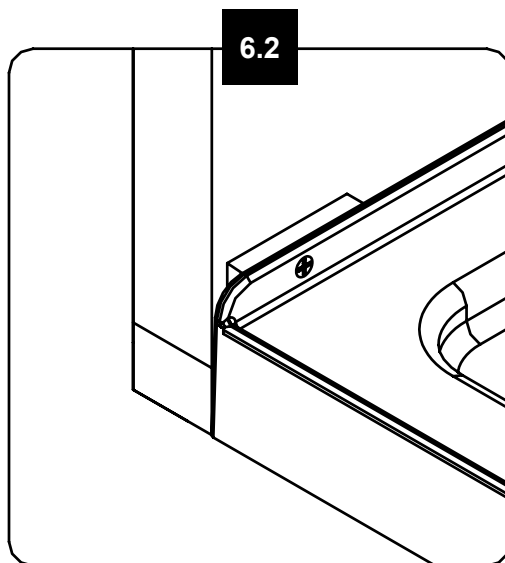
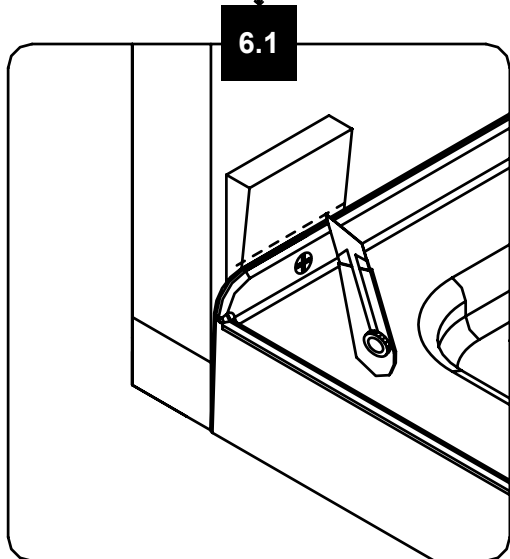
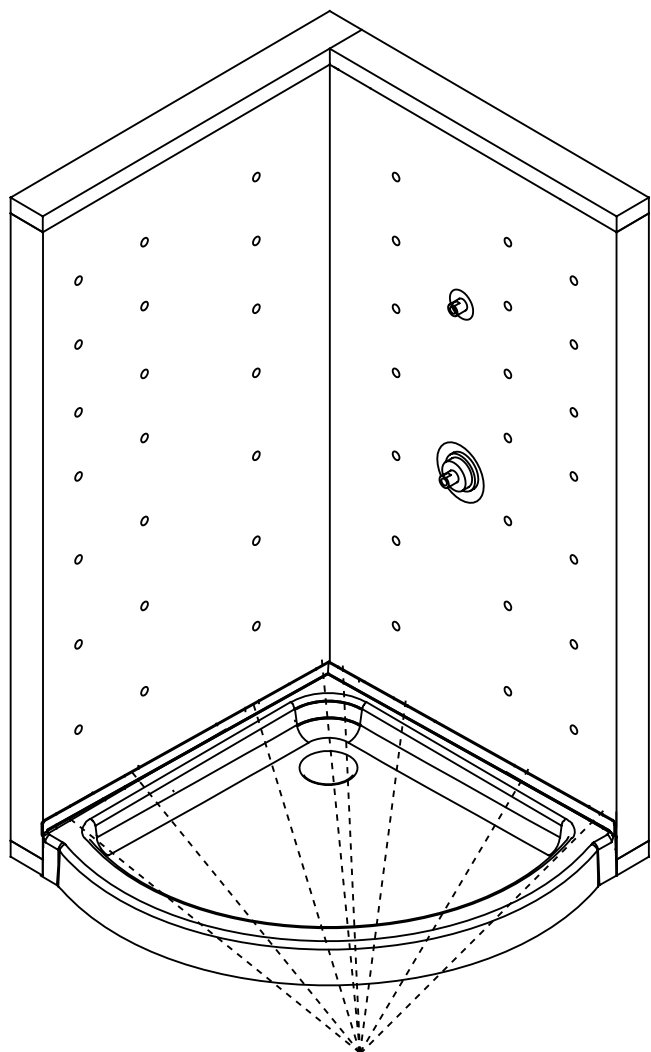
5.1. La brida de la base de ducha está ligeramente inclinada por diseño. 5.2-5.2. En los puntos en los que vaya a atornillar la base de ducha a los montantes, se recomienda utilizar calzos de madera para rellenar el hueco entre la brida de la base y los montantes.

5.2-5.3. Taladre agujeros guía y fije la base de ducha atornillándola a los montantes. Se recomienda atornillar 1 tornillo por montante y apuntar al centro del montante.



6.1. Corte la parte sobresaliente de las calzas de madera.

6.2. Deje secar el cemento durante 24 horas antes de continuar.

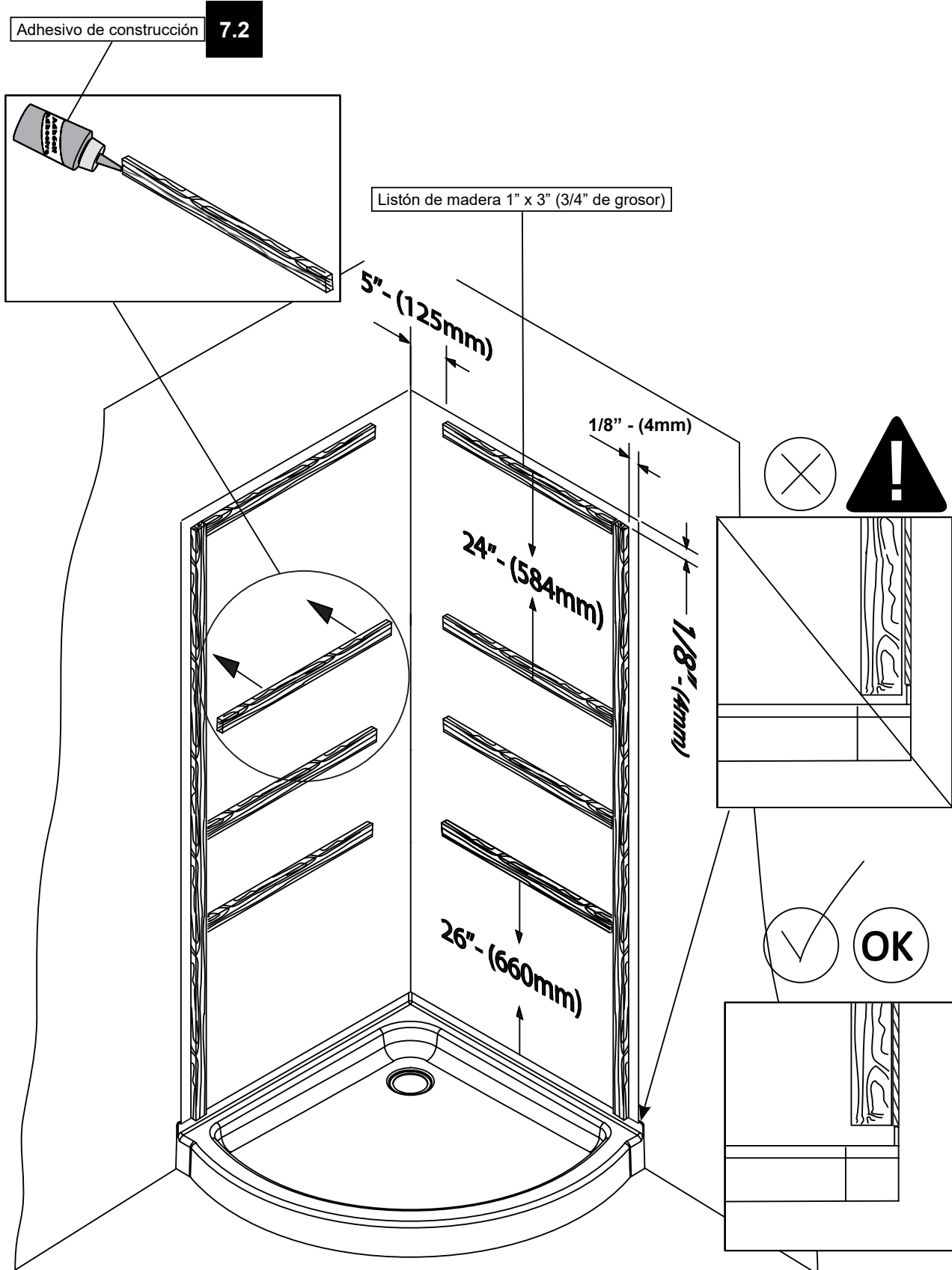


INSTALACIÓN DE PANELES ACRÍlicos

B

7

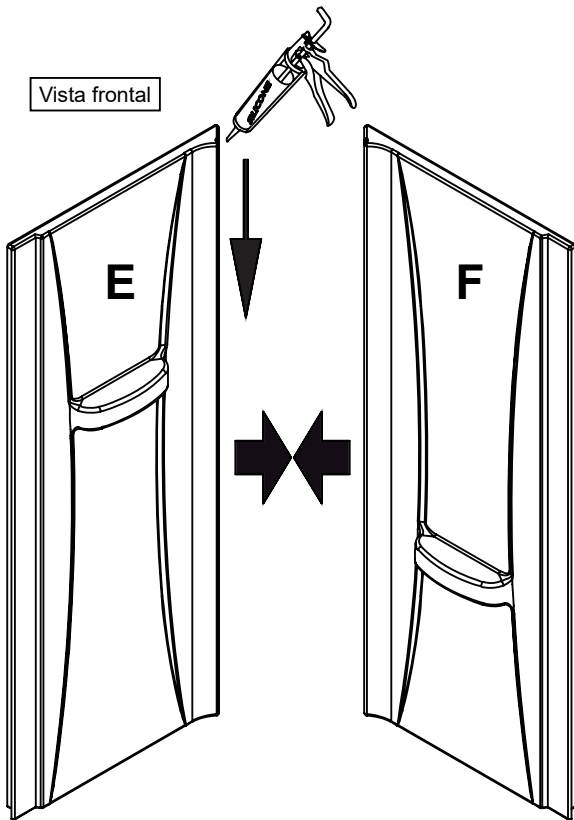
7.1 Prepare el listón de madera de 1x3 siguiendo el diseño basado en el tamaño de la base de la ducha.
7.2 Instale el listón de madera como se ilustra utilizando adhesivo de construcción; alternativamente, utilice tornillos de construcción o clavos para instalar los listones de madera. Asegúrese de que la pieza vertical quede asentada sobre el nivel de la brida de la ducha.



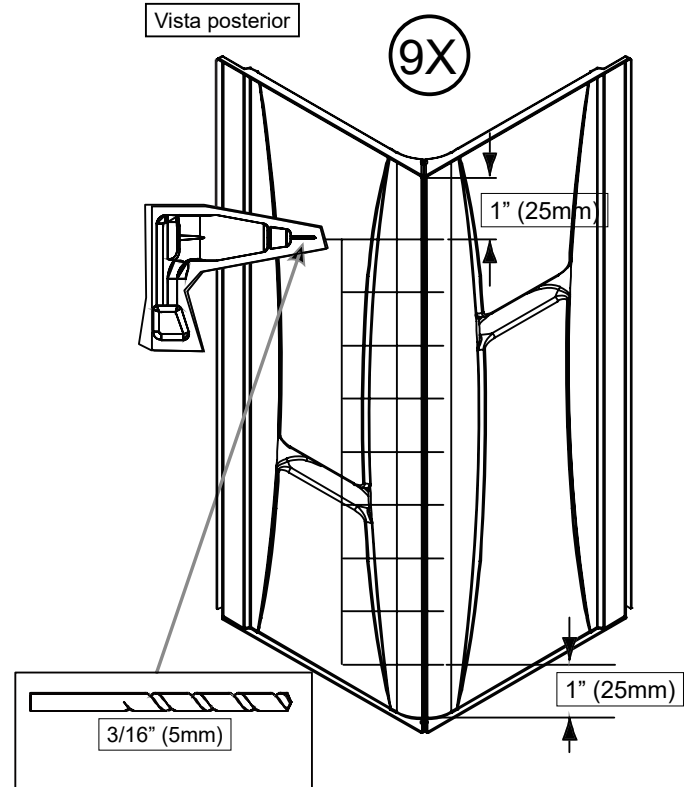
8.1 Aplique un cordón de silicona a lo largo de la ranura del panel de pared izquierdo.

8.2 Detrás de los paneles de pared, dejando un espacio libre de 1" (25mm) desde la parte superior e inferior de los paneles de pared, taladre 9 agujeros equidistantes utilizando una broca de 3/16" (5mm) para unir los dos paneles de pared.

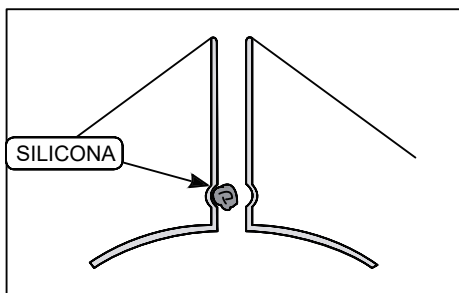
8.1



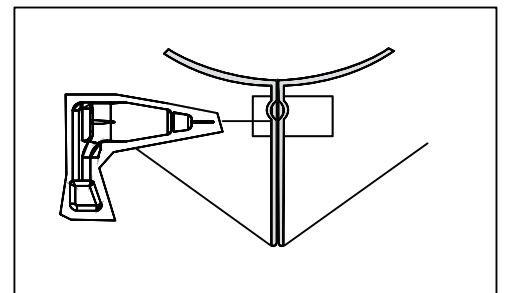
8.2



Vista superior



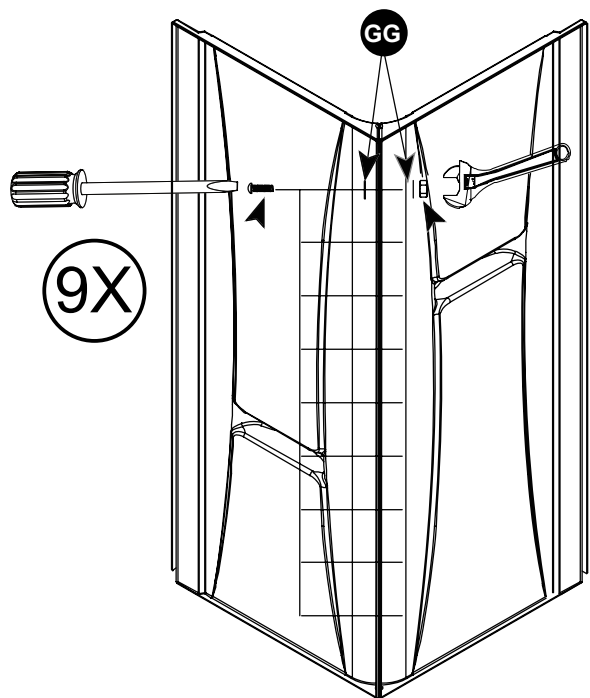
Vista superior



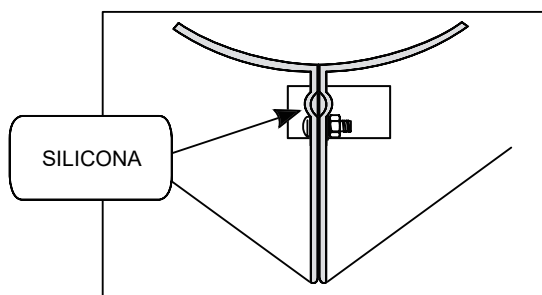
9.1. Atornille firmemente los paneles de pared con los pernos, arandelas y tuercas (GG).

9.2. Empuje firmemente los paneles de pared (E y F) sobre las paredes secas y el soporte de listones de madera. Asegúrese de que los paneles de pared queden enrasados con el borde de la base de la ducha. Aplique silicona alrededor de los bordes acrílicos de la pared de la ducha.

9.1

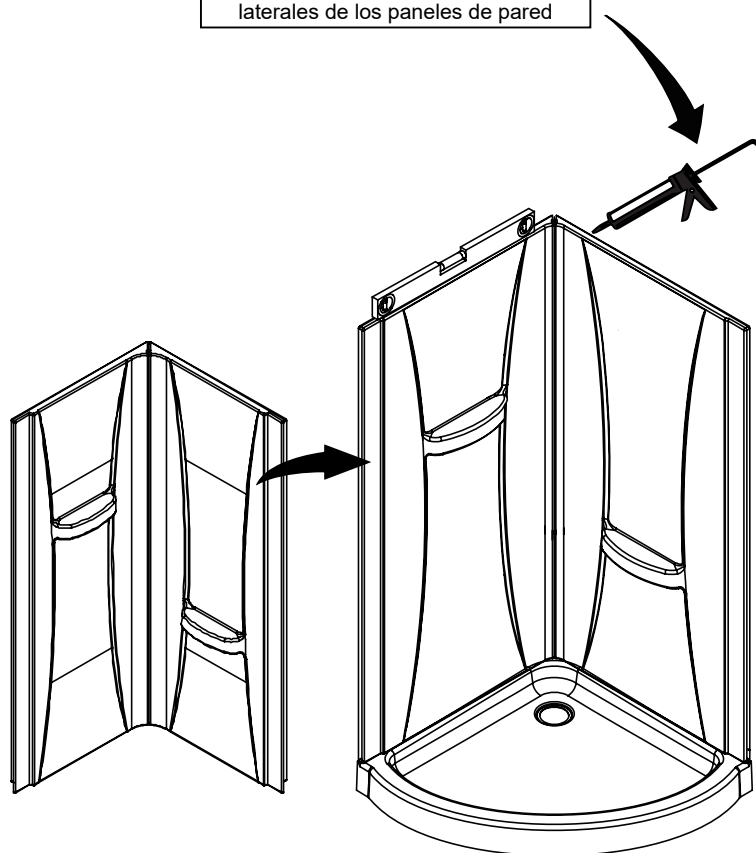


Vista superior



9.2

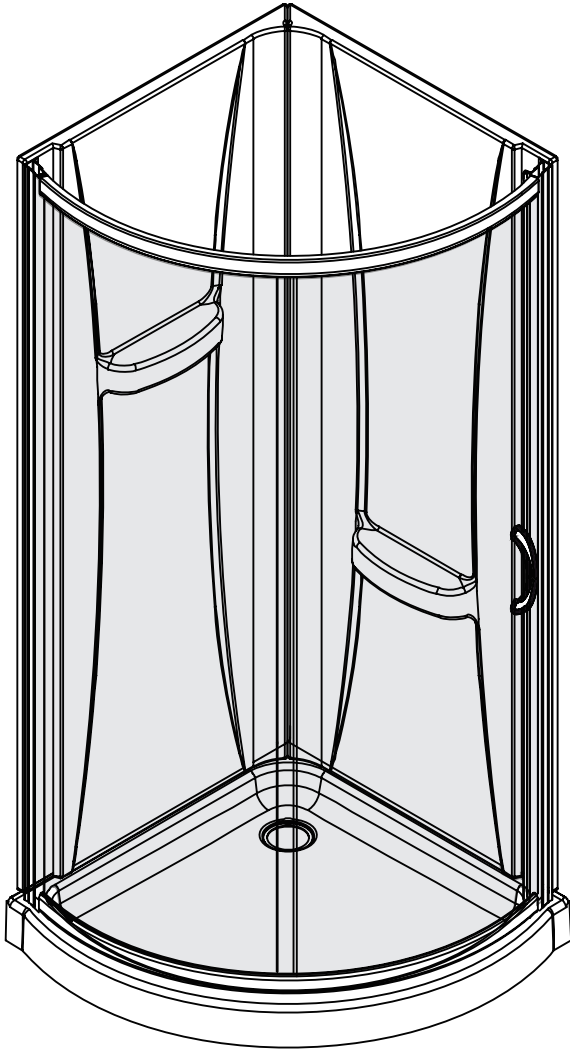
¡CONSEJO ÚTIL!
Añada silicona en los bordes superior y laterales de los paneles de pared



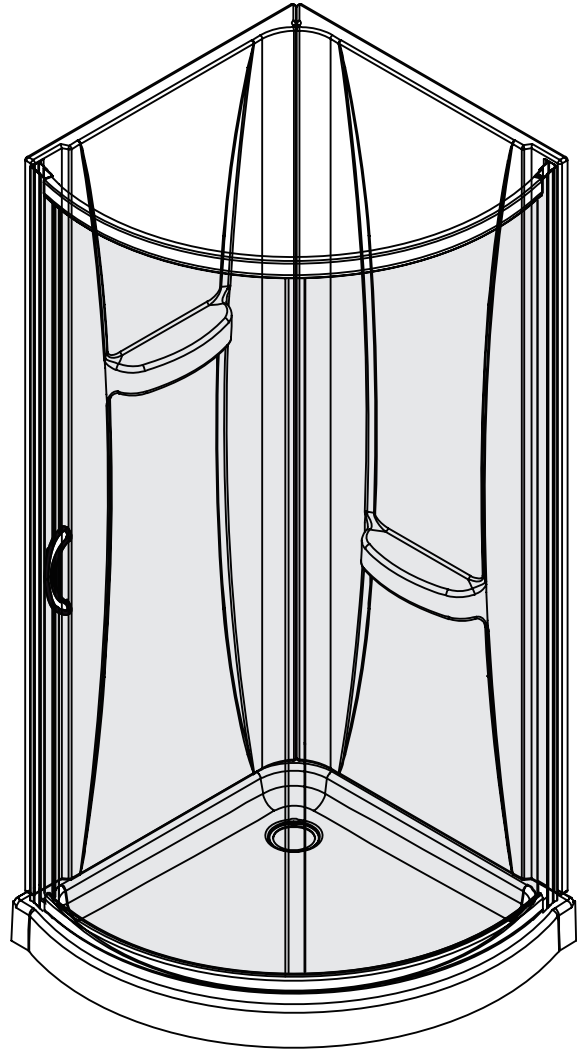
VISIÓN GENERAL DE LA INSTALACIÓN DE UNA PUERTA DE DUCHA



En esta instalación, la figura del panel mural acrílico (opción B) sólo se utiliza para la referencia de instalación



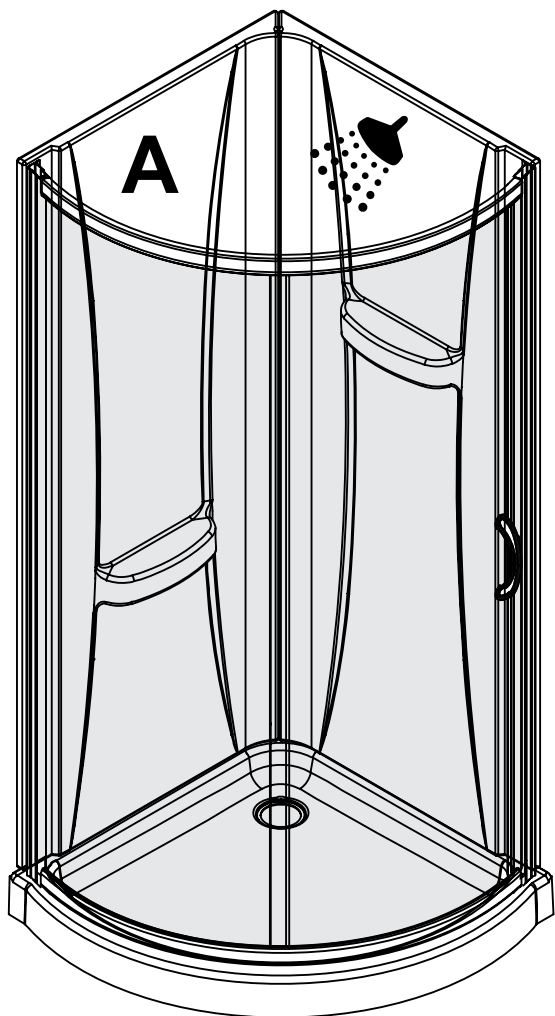
INSTALACIÓN DE LA PUERTA DE DUCHA
PANEL FIJO EN EL LADO IZQUIERDO



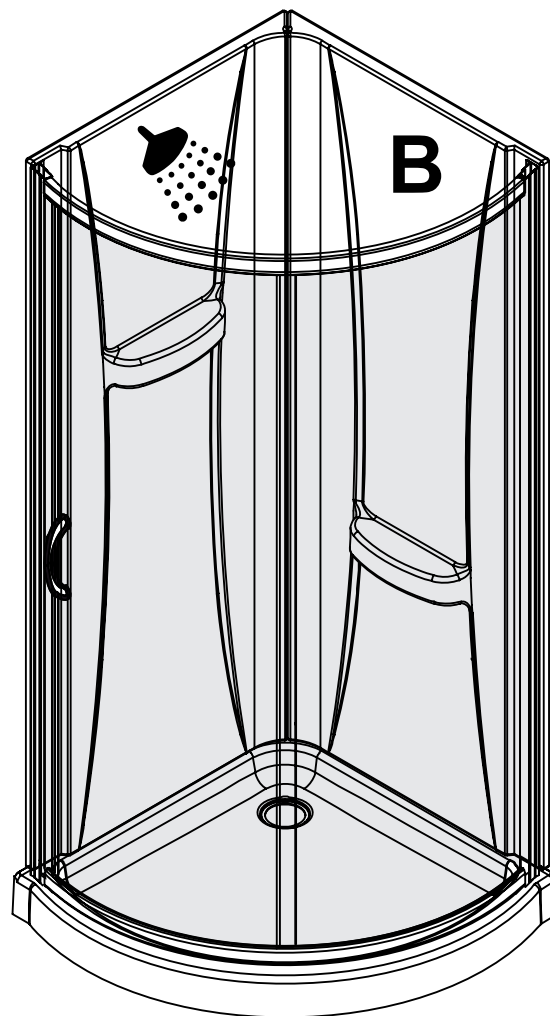
INSTALACIÓN DE LA PUERTA DE DUCHA
PANEL FIJO EN EL LADO DERECHO

PREPARACIÓN

Estas instrucciones están diseñadas para una puerta que se abre de derecha a izquierda (véase la **ilustración A**). Para una instalación con una puerta que se abre de izquierda a derecha (véase la **ilustración B**), siga las mismas instrucciones, pero cambie los paneles: efecto espejo.

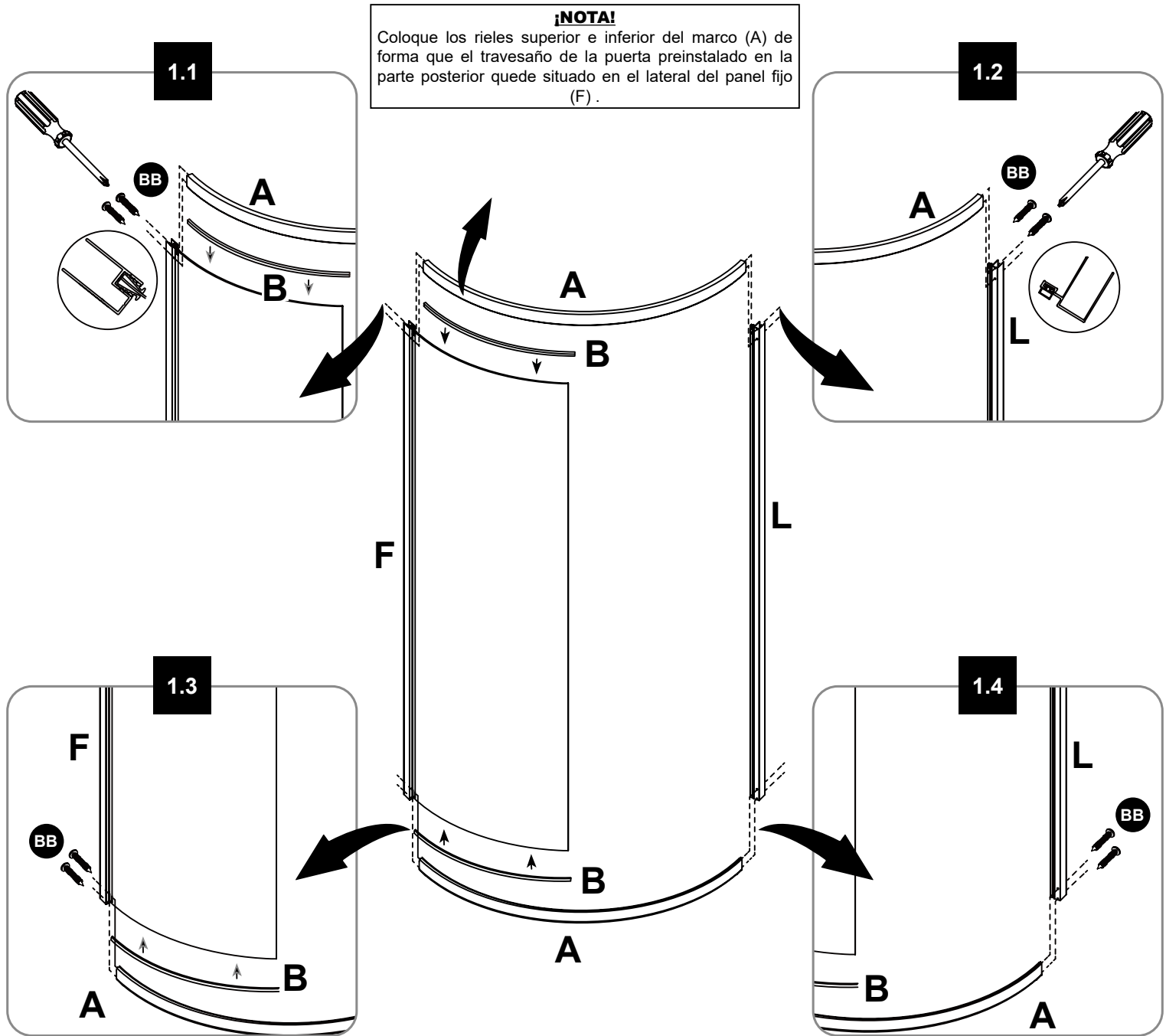


FAQ
P: Si la alcachofa de ducha se instala en la otra pared, ¿tendrá fugas?
R: Es posible instalar la alcachofa de la ducha en el otro lado, pero le recomendamos encarecidamente que la instale como se muestra en la ilustración.

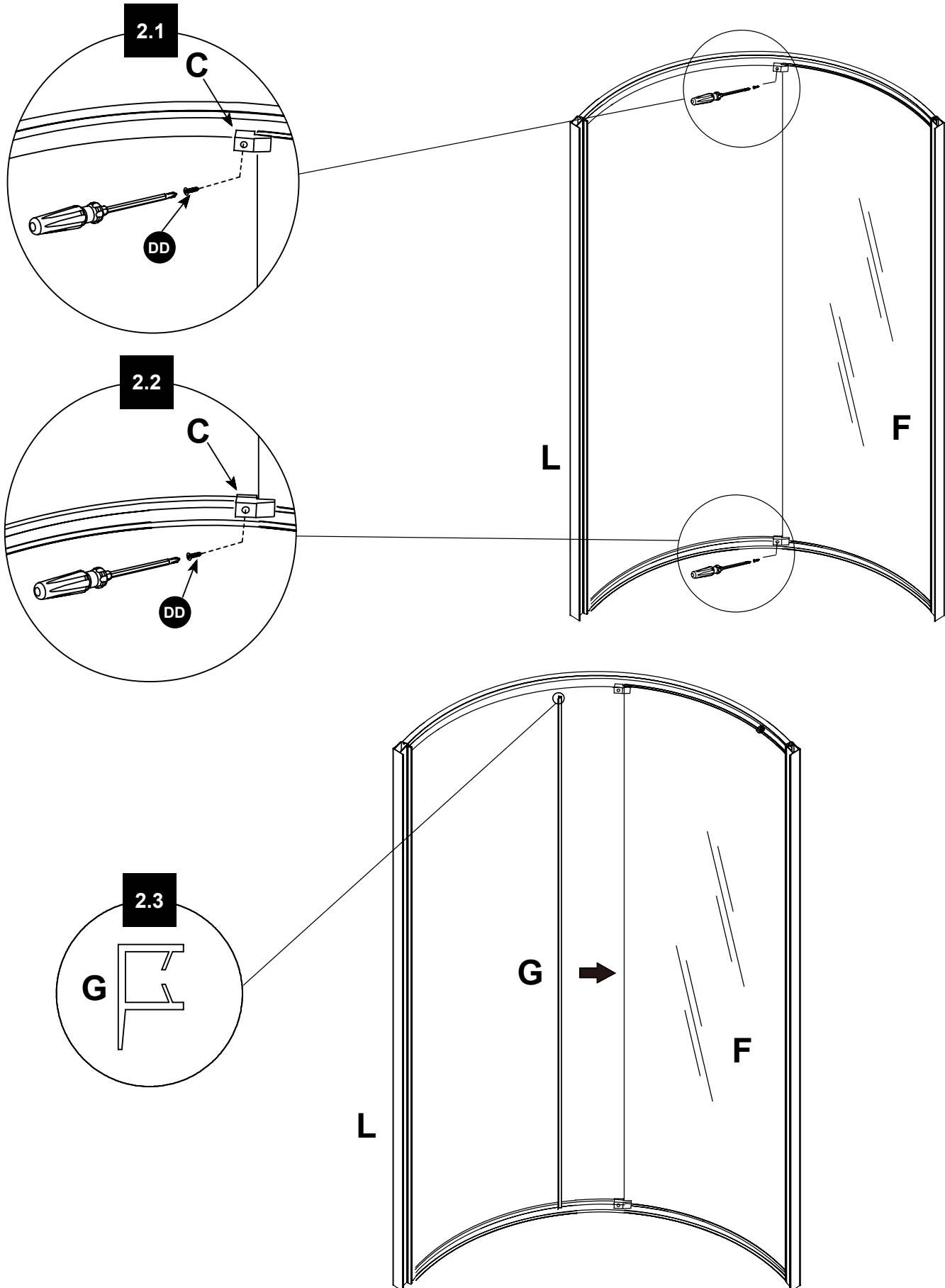


Instale la alcachofa de la ducha en el lado de la puerta, como se muestra en la ilustración. Esto reducirá el riesgo de fugas.

- 1.1. Inserte la tira de sellado del panel fijo (B) en la parte superior del panel fijo (F). Atornille la parte superior izquierda del panel fijo (F) al riel del marco (A) con los tornillos (BB).
- 1.2. Atornille la parte superior derecha del carril de la puerta (L) con los tornillos (BB) al carril del marco (A).
- 1.3. Inserte la tira de sellado del panel fijo (B) en la parte inferior del panel fijo (F). Atornille la parte inferior izquierda del panel fijo (F) al carril del marco (A) con los tornillos (BB).
- 1.4. Atornille la parte inferior derecha del carril de la puerta (L) con los tornillos (BB) al carril del marco (A).

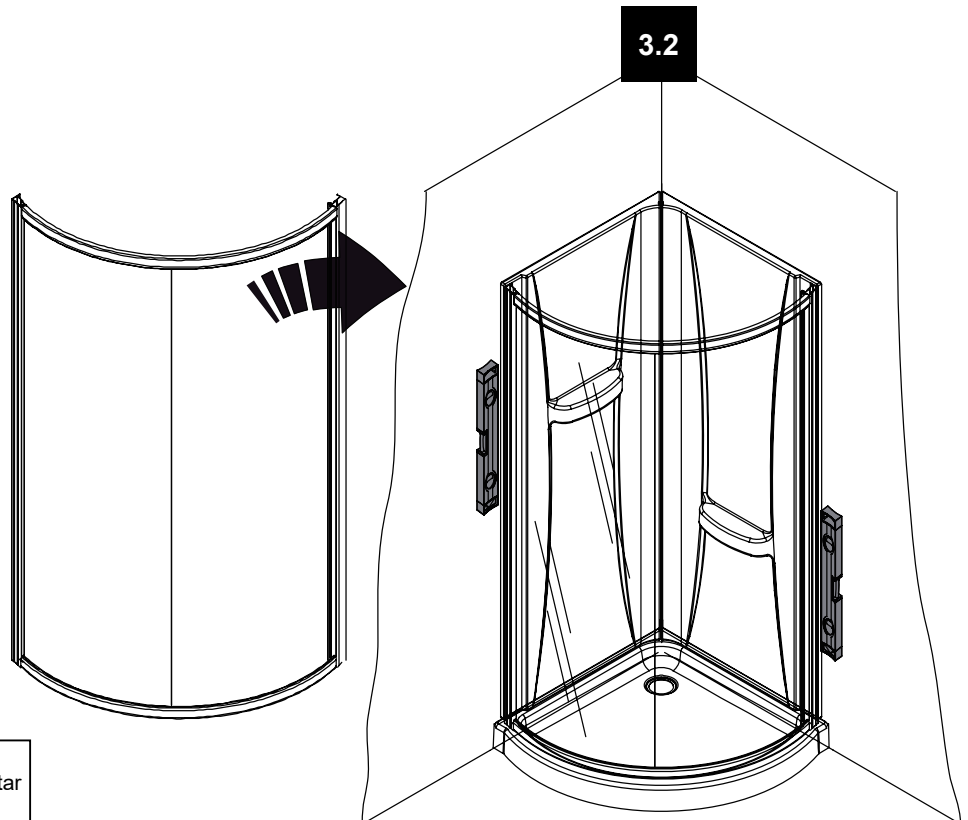
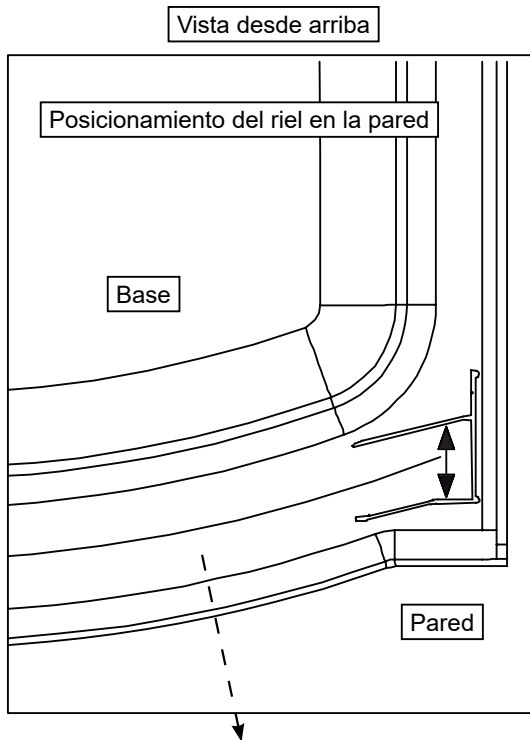
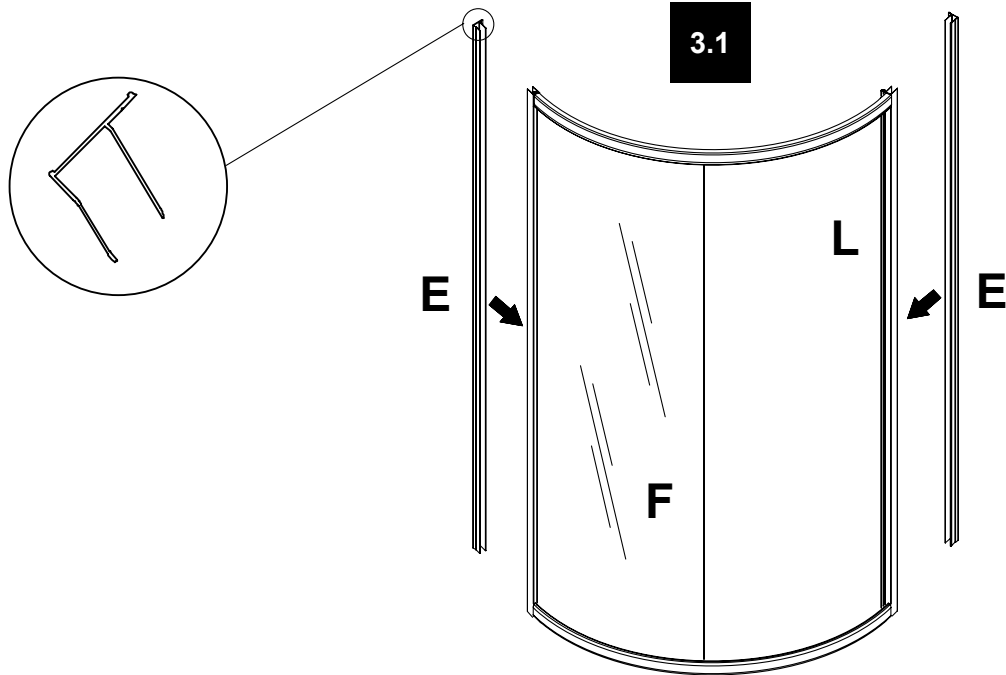


- 2.1-2.2. Fije el panel fijo (J) al marco utilizando las abrazaderas (C). Fije las abrazaderas (C) con los tornillos (DD).
- 2.3. Inserte la tira de sellado del panel fijo (G) en el panel fijo (F).



3.1. Inserte los rieles de pared (E) en los laterales del marco montado. No atornille el riel de pared en este paso.

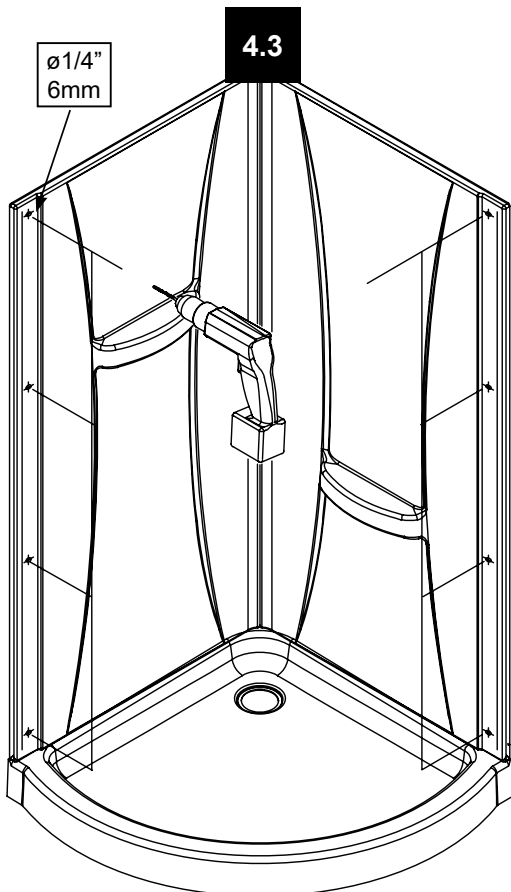
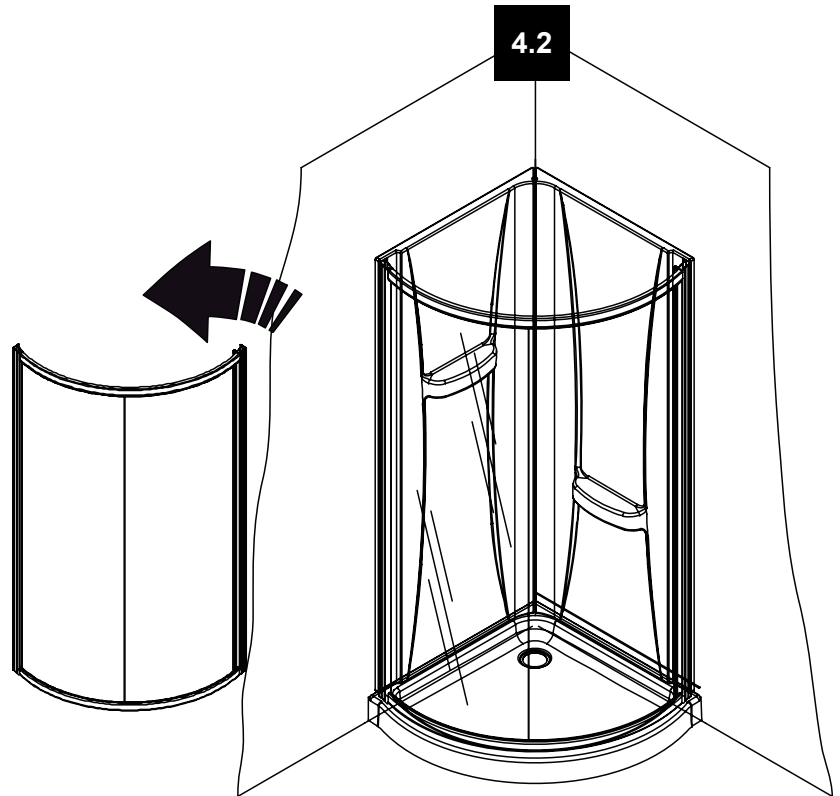
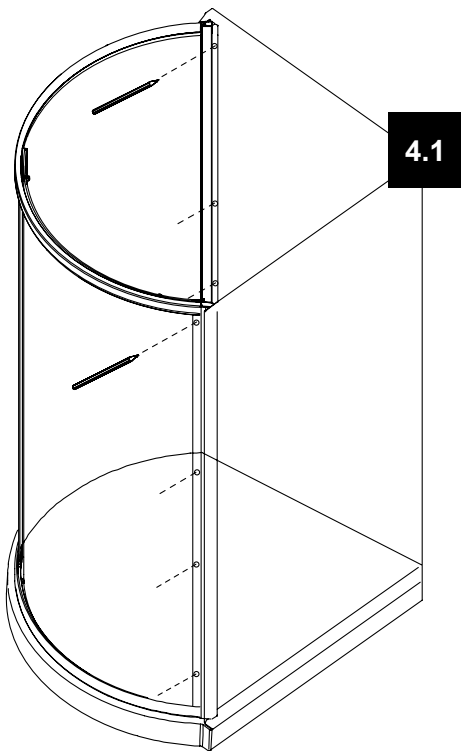
3.2. Tome el marco de ducha montado y colóquelo con cuidado sobre la base de ducha instalada. Asegúrese de que todo esté nivelado. Coloque el marco de tal manera que el centro del riel de pared se ubique en la línea central de la base de la ducha, como se ilustra a continuación.



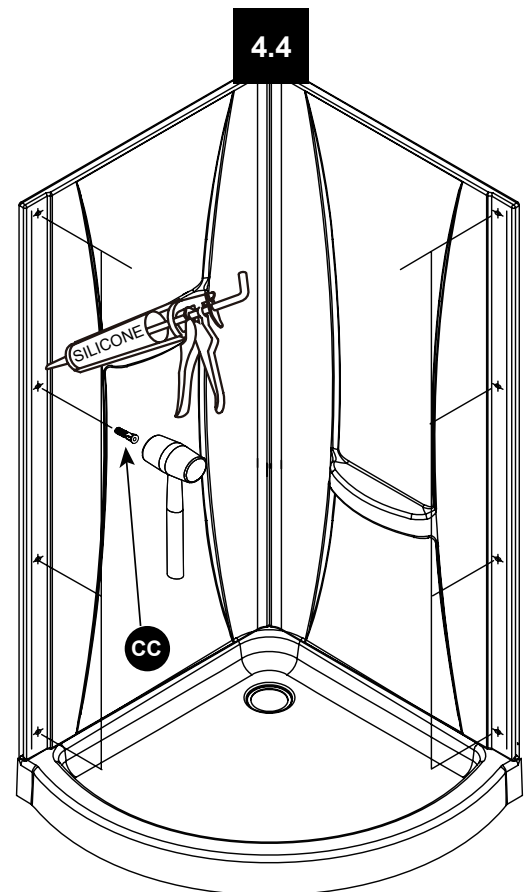
¡AVISO!

El centro del riel de pared, tal como se muestra, debe estar situado en el centro del borde de la base de la ducha.

- 4.1-4.2. Marque en la pared los orificios pretaladrados de los riles murales (E) y, a continuación, retire de la base la estructura de ducha montada.
 4.3. Con una broca de $\varnothing 1/4"$ (6mm), taladre agujeros guía en el lugar marcado.
 4.4. Inserte los anclajes de pared (CC) utilizando un mazo de goma hasta que los anclajes de pared queden enrasados con la pared.



¡AVISO!
 Si no hay montantes alineados con el riel de la pared detrás de los paneles de yeso, utilice los anclajes de pared para asegurarse de que los tornillos no se aflojen.

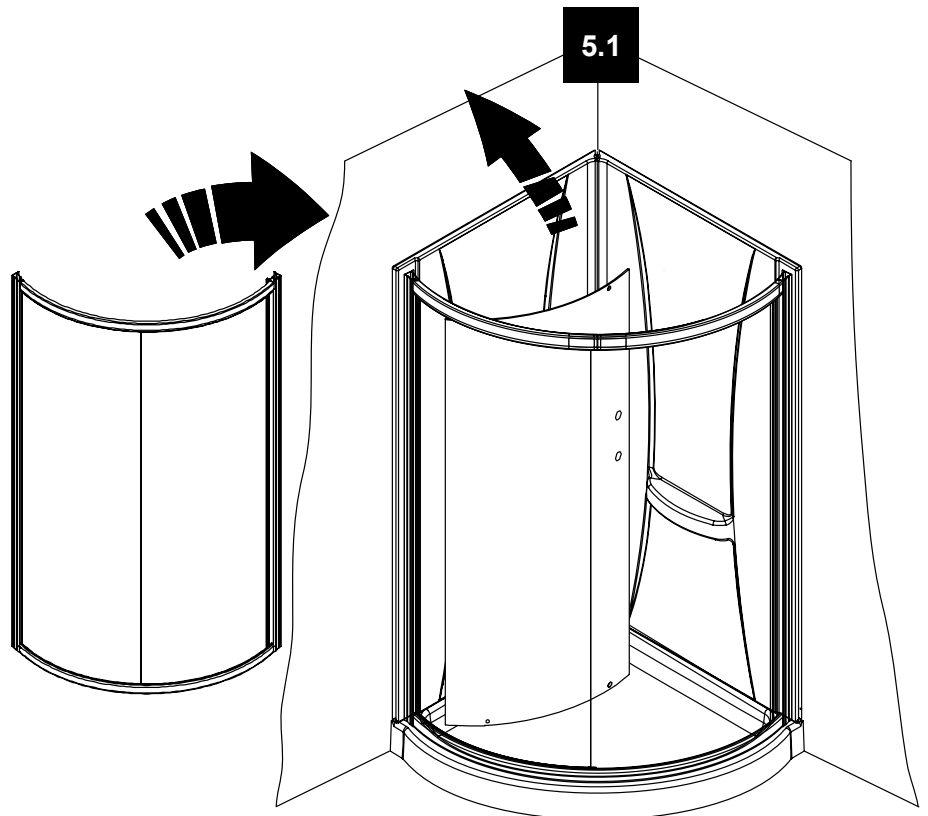


5.1. Vuelva a colocar el marco de ducha montado en la base.

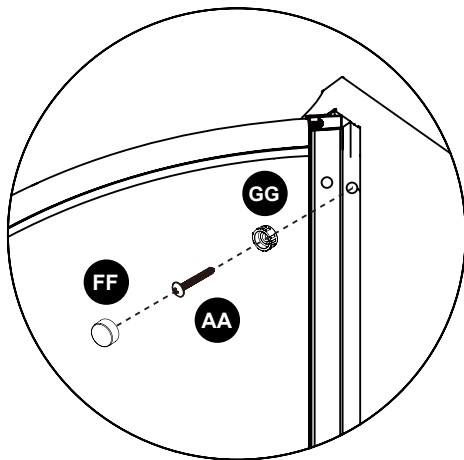
5.2. Fije los rieles de pared (E) con las arandelas (GG), los tornillos (AA) y las tapas (FF).

¡CONSEJO ÚTIL!

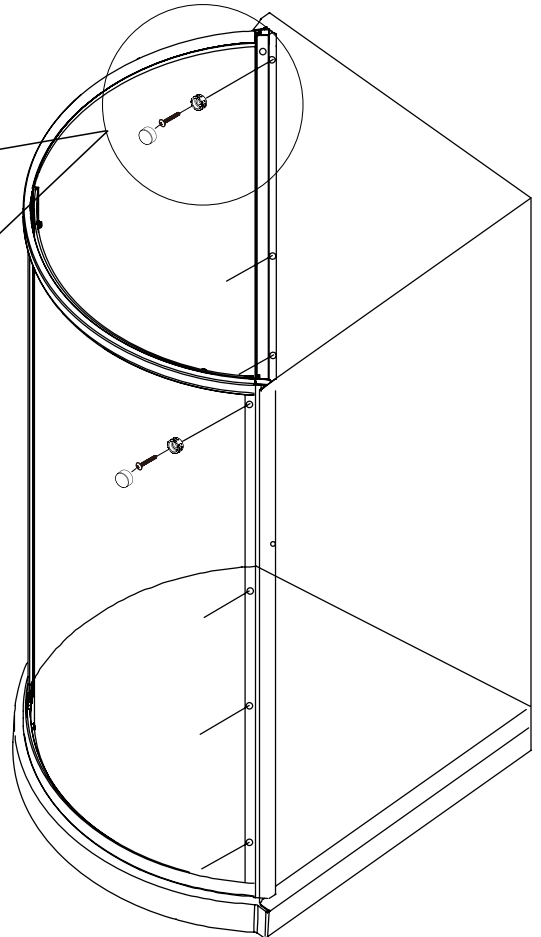
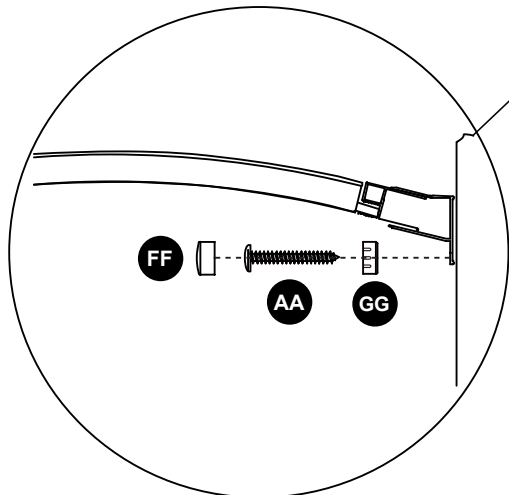
Antes de instalar el marco, puede insertar el panel de la puerta de la ducha para facilitar los pasos futuros.



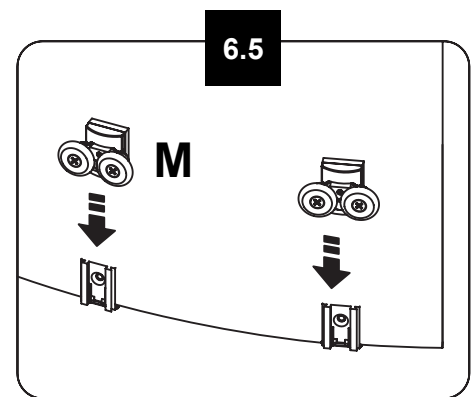
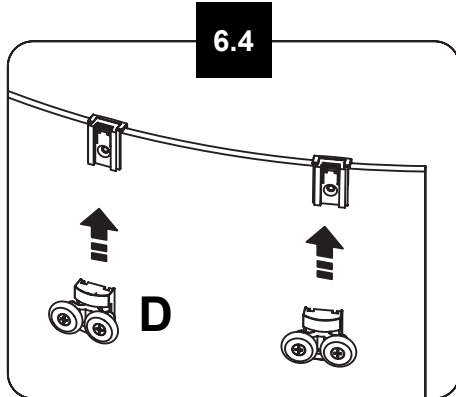
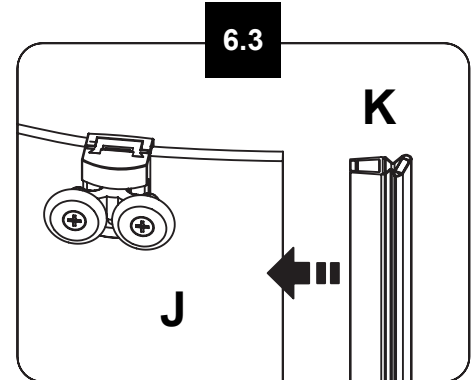
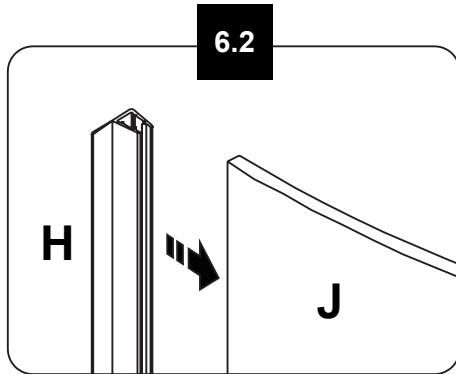
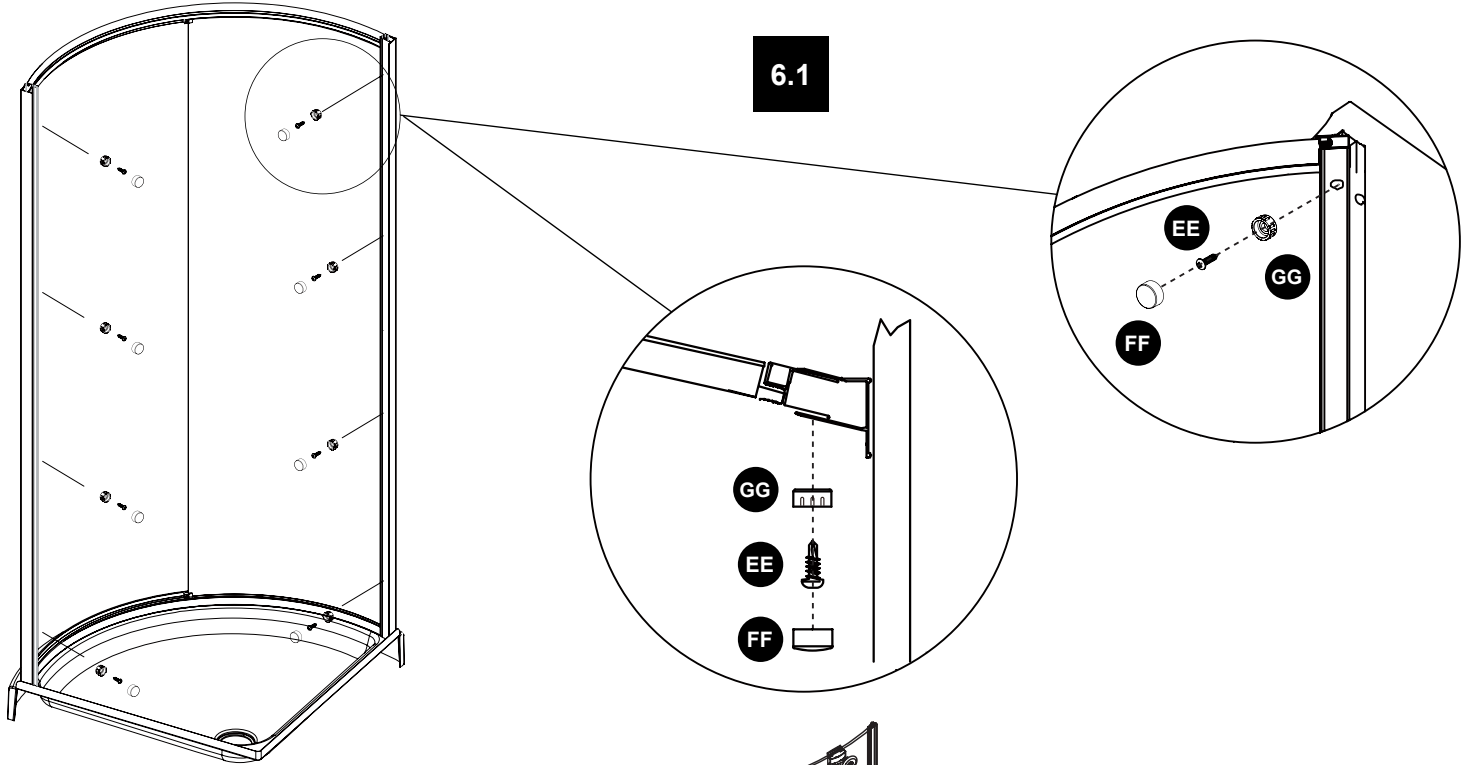
5.1



5.2

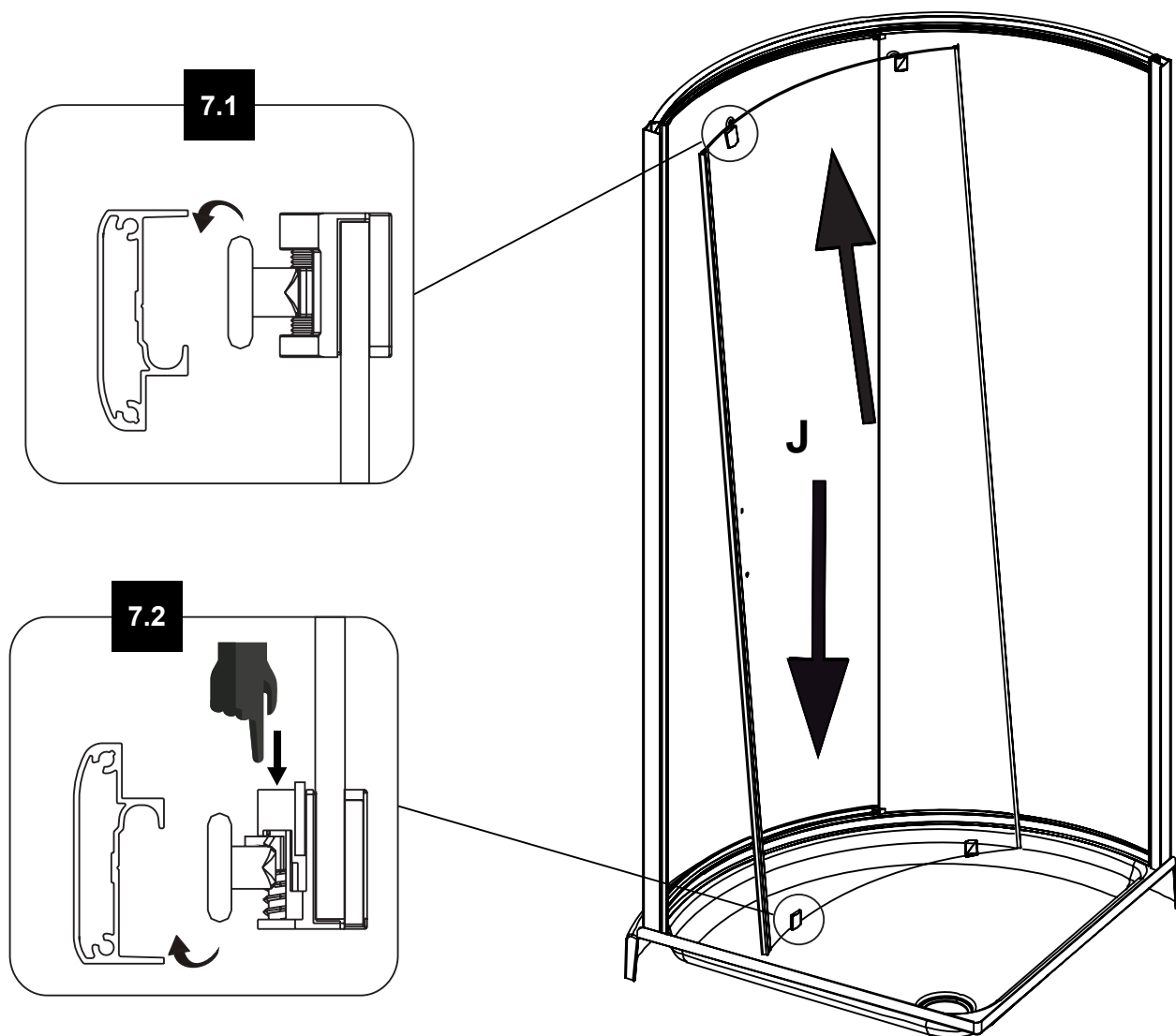


- 6.1. Fije el marco de la ducha a los rieles de la pared (E) utilizando arandelas (GG), tornillos (EE) y tapas (FF).
 6.2. Inserte la tira de sellado del panel de la puerta (H) en el lado izquierdo de la puerta (J).
 6.3. Inserte la tira de sellado magnético (K) en el extremo de cierre de la puerta (J).
 6.4. Inserte las ruedas superiores de la puerta (D) en los soportes de las ruedas.
 6.5. Inserte las ruedas inferiores de la puerta (M) en los soportes de las ruedas.



7.1. Cuelgue suavemente y con cuidado la puerta (J) por sus ruedas superiores (D).

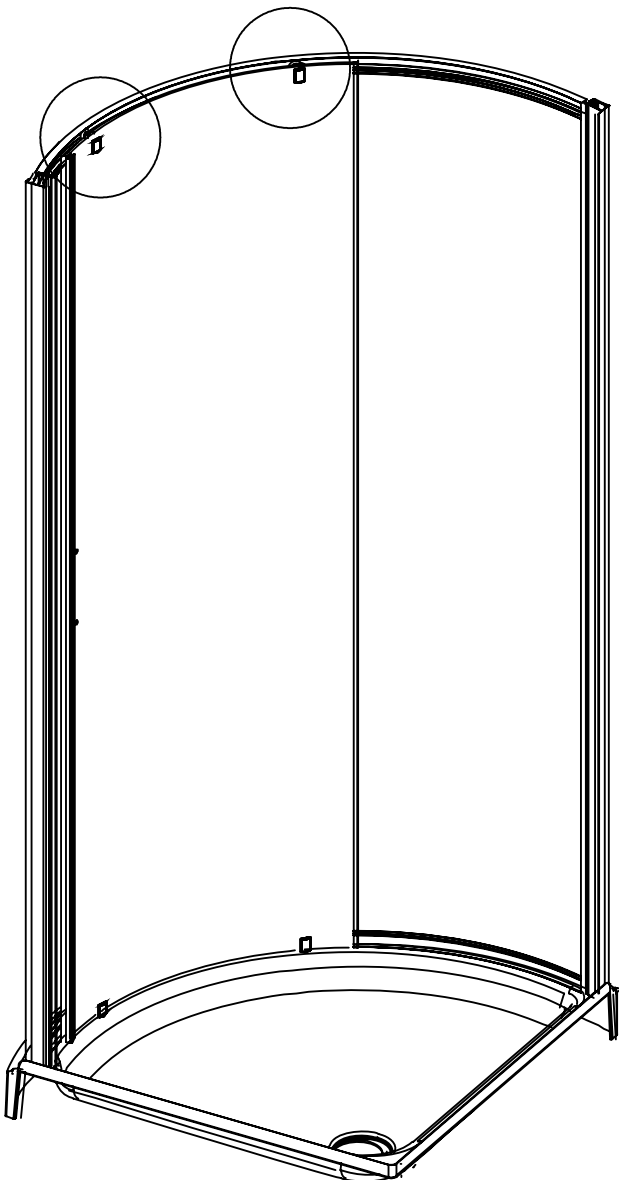
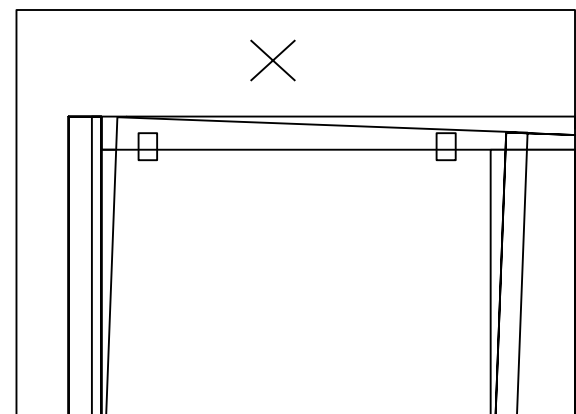
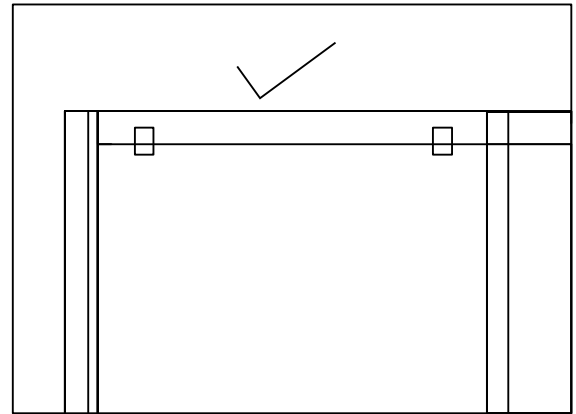
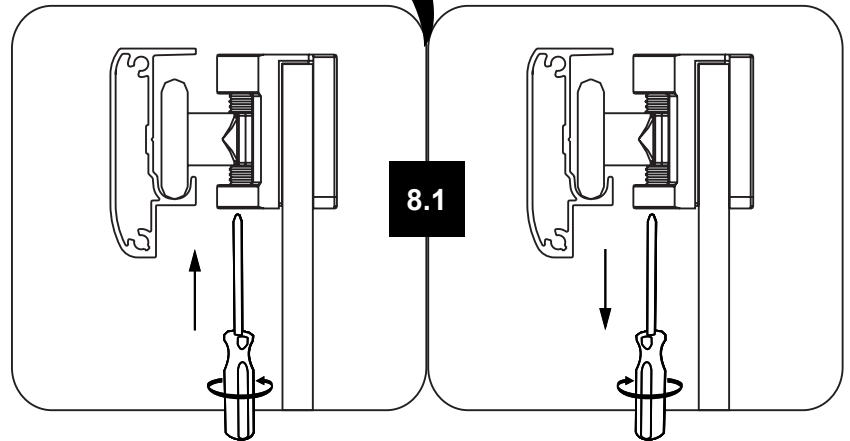
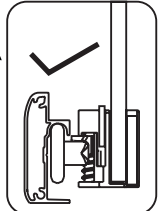
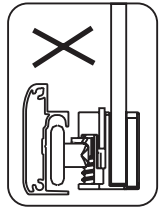
7.2. Fije las ruedas inferiores en el carril inferior del marco (A) empujando hacia abajo la rueda inferior. Un muelle asegura las ruedas inferiores en el carril del marco.



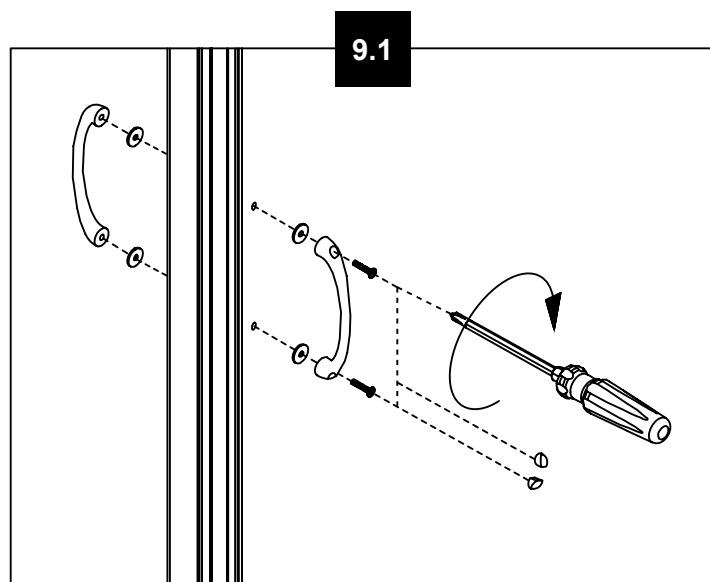
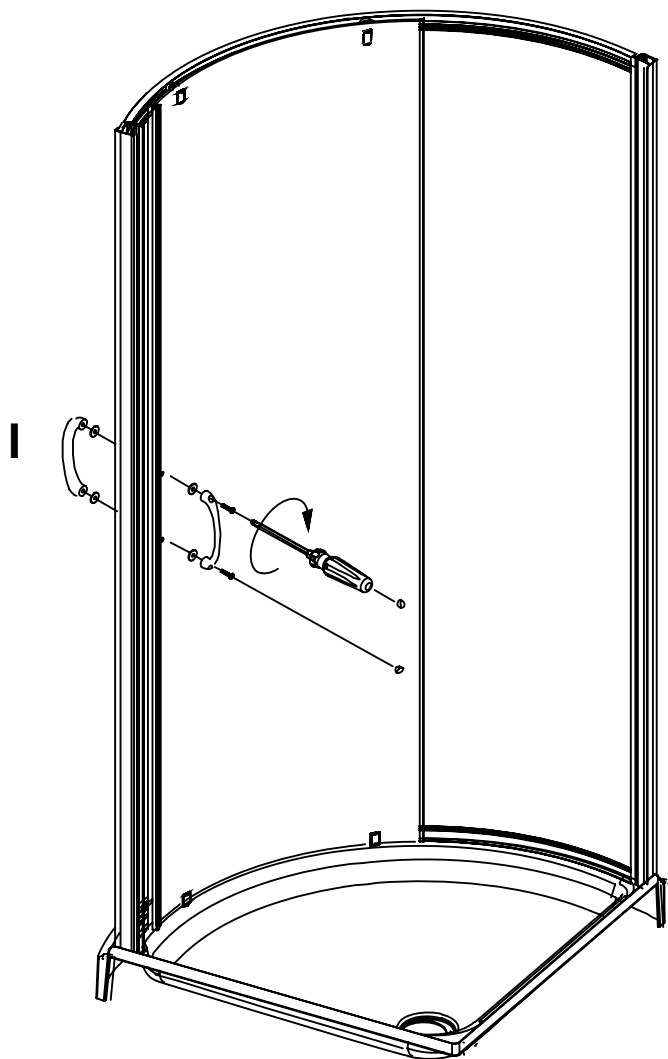
8.1. Ensure that the door closes well and that it is leveled. If an adjustment is needed, use a screwdriver to tighten or loosen the screw located under the top rollers to level the door adequately.

¡NOTA!

Este ajuste de las ruedas se puede utilizar para nivelar la puerta con el fin de obtener un cierre uniforme y hermético. También se utiliza si las ruedas inferiores de la puerta se salen de su carril con demasiada facilidad, en cuyo caso apriete los tornillos de las ruedas superiores en sentido antihorario, lo que levantará el panel de la puerta y apretará las ruedas inferiores.

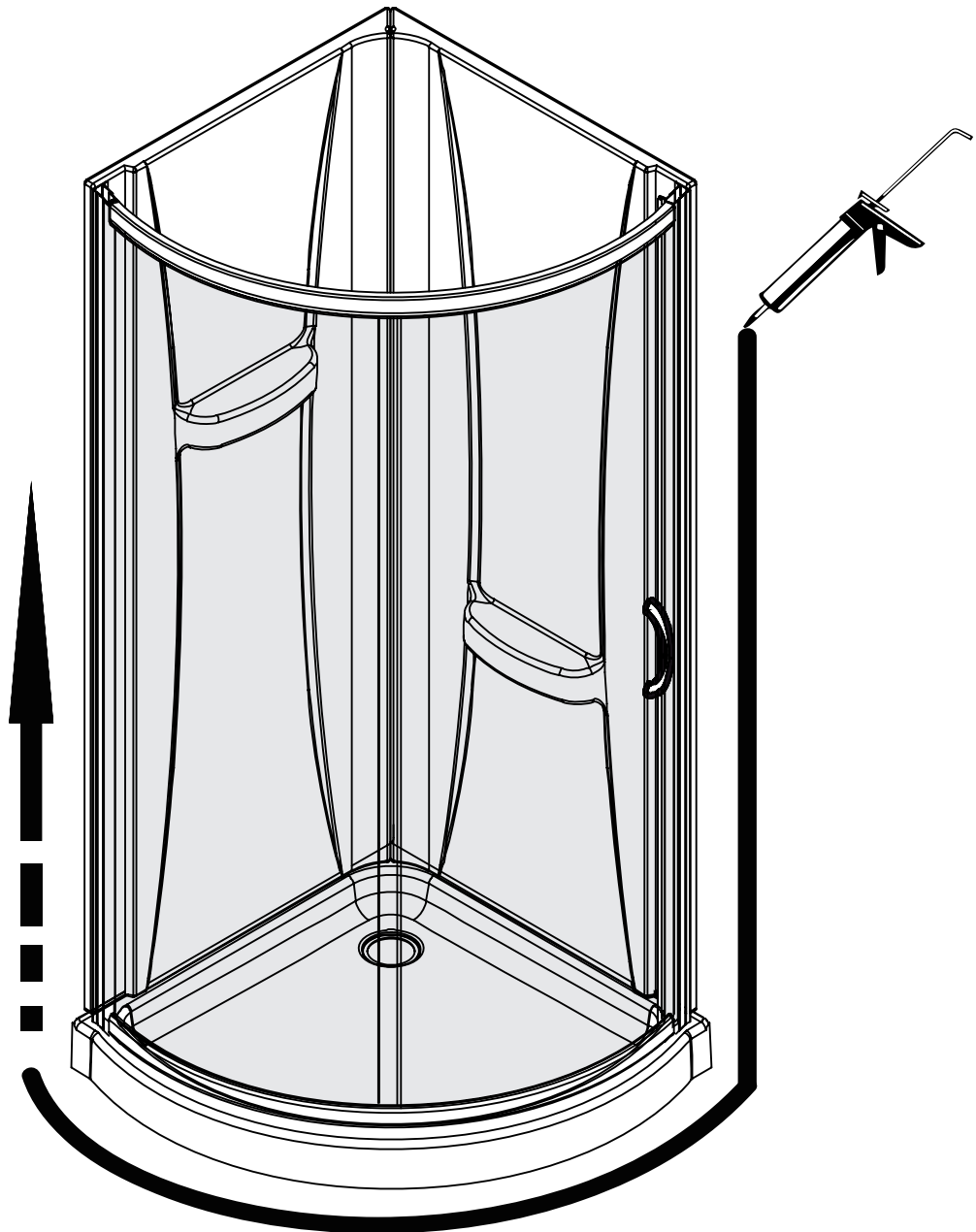


9.1. Instale la empuñadura (I).



Asegúrese de que la puerta cierra herméticamente y se abre con suavidad. Asegúrese de que existe una conexión firme entre el panel o paneles fijos y la barra de soporte.

Aplique un sellador de agua de silicona transparente alrededor del perímetro exterior de cualquier componente fijo de la ducha. Deje secar la silicona durante 24 horas. Una aplicación incorrecta del sellador de silicona puede provocar fugas en la ducha.



MANTENIMIENTO Y CUIDADO

Para mantenimiento diario, utilice un paño húmedo y un limpiador líquido suave.

Nunca utilice abrasivos o limpiadores que contenga acetona, cloro o blanqueadores fuertes, espátulas o cepillos de cerdas metálicas, ni objetos o productos que puedan raspar o deslucir las superficies.

Utilice un trinquete para apretar firmemente a cualquier pernos utilizados para soportar los paneles de vidrio fijos o panel de puertas (pernos de soporte pueden soportar hasta 250 lbf * in de torque).

Compruebe el tornillo de la rueda cada 6 meses y apriete de nuevo si es necesario.

GARANTÍA

Garantía LIMITADA de productos

El DISTRIBUIDOR es un distribuidor de los siguientes productos:

- Puertas de ducha (periodo de garantía de 5 años).
- Superficies acrílicas (periodo de garantía de 5 años contra formación de burbujas, grietas o desportilladuras en la superficie de acrílico).
- Estructura de cubierta de acrílico (periodo de garantía de 5 años contra la pérdida de agua a través del laminado de fibra de vidrio del cuerpo de acrílico).
- Accesorios de ducha (manijas, bisagras, clips de soporte de caucho, barras de soporte de metal y rieles murales) (periodo de garantía de 1 año contra defectos en materiales y mano de obra).

Garantía limitada: El DISTRIBUIDOR le garantiza al comprador minorista original que dentro de un tiempo razonable después de la notificación de parte del comprador, El DISTRIBUIDOR reparará o reemplazará el producto, o cualquier pieza o componente del producto cubierto, distribuido por El DISTRIBUIDOR el cual, a la satisfacción del DISTRIBUIDOR, ha resultado defectuoso en mano de obra o materiales, y el cual ha fallado durante el uso normal y dentro del periodo de garantía. Esta Garantía limitada no se aplica a productos que han sido dañados, o que han fallado como resultado de causas distintas de defectos de fabricación (tales como pero sin limitarse a instalación inadecuada; falta de cuidado o mantenimiento o si éstos son inadecuados; exposición a los elementos incluyendo productos y ambientes corrosivos o agua; alteración; abuso o uso inapropiado. Esta garantía no cubre daños a acabados. La garantía comienza en la primera fecha en que un Producto es comprado por el cliente. Esta garantía se aplica exclusivamente a productos comprados y usados en aplicaciones no comerciales.

Procedimiento de reclamación de garantía: Para hacer una reclamación, sírvase llamar al número de servicio al cliente del DISTRIBUIDOR para resolver el problema y comenzar el proceso de reclamación. Los productos pueden ser inspeccionados o evaluados por El DISTRIBUIDOR y cualquier producto o componente que llegue a cumplir con los criterios de garantía expuestos arriba será reparado o reemplazado a discreción del DISTRIBUIDOR. Las piezas reemplazadas o reparadas serán enviadas sin costo alguno al cliente por vía terrestre únicamente. Cualquier método de envío acelerado será por cuenta del cliente.

EXONERACIÓN DE RESPONSABILIDAD Y EXCLUSIÓN DE GARANTÍAS: Esta garantía es considerada la exposición completa y exclusiva de los términos de todas las garantías limitadas ofrecidas por El DISTRIBUIDOR.

Hasta donde lo permita la ley, fuera de la garantía expresa detallada en este instrumento, NO HAY GARANTÍAS, EXPRESAS NI IMPLÍCITAS, INCLUYENDO GARANTÍAS IMPLÍCITAS DE COMERCIALIDAD O CONVENIENCIA PARA UN FIN PARTICULAR, OFRECIDAS POR El DISTRIBUIDOR.

Esta garantía le da derechos legales específicos. Es posible que también tenga derechos, que pueden variar según legislaciones estatales, provinciales o nacionales pertinentes, que no podrán ser sometidos a renuncia ni ser modificados por la exoneración de responsabilidad mencionada arriba. Excepto lo permitido, la exoneración de responsabilidad no está destinada a generar la renuncia, modificar, liberar o limitar la aplicabilidad de legislaciones preventivas estatales, provinciales o nacionales inconsistentes con los términos de esta Garantía limitada y Exoneración de responsabilidad. Sin embargo, hasta donde la ley lo permita, ninguna garantía implícita de comercialidad o conveniencia es considerada bajo la presente garantía. No obstante la Exoneración de responsabilidad, si cualquier garantía implícita es impuesta por la operación de la ley, hasta donde se permita, la duración de dichas garantías implícitas está limitada al término más corto de la garantía expresa o el estatuto aplicable de limitaciones.

Los Productos mencionados arriba están destinados a ser instalados y utilizados para fines personales y consumo residencial. El uso del producto para cualquier otro fin, como fines comerciales anulará esta garantía. La Garantía limitada es aplicada únicamente a los Productos detallados en esta garantía, y no se da ninguna garantía a productos no distribuidos por El DISTRIBUIDOR. Esta garantía es aplicable únicamente al primer comprador minorista.

Transferibilidad: Esta garantía no es transferible.

LIMITACIÓN Y EXCLUSIÓN DE REMEDIOS Y DAÑOS: La única responsabilidad del DISTRIBUIDOR bajo esta Garantía limitada será la reparar o reemplazar, a su discreción, cualquier Producto o componente defectuoso. El comprador acepta que éste es el remedio único y exclusivo bajo esta Garantía limitada. El DISTRIBUIDOR no será responsable de ningún daño incidental, resultante, especial o indirecto, incluyendo pérdida de uso como resultado de cualquier defecto de fabricación en el Producto. El DISTRIBUIDOR no será responsable de mano de obra, ni de cualquier otro costo asociado al retiro o a la instalación de piezas bajo garantía. Algunas legislaciones estatales, provinciales o nacionales no permiten la exclusión de daños incidentales o resultantes, entonces puede que esta limitación no se aplique a usted.

Modificación de productos: El DISTRIBUIDOR se reserva el derecho de cambiar, modificar o mejorar los Productos sin la obligación de incorporar dichos cambios en Productos previamente vendidos o instalados.

Autoridad y modificación: El vendedor minorista no es agente del DISTRIBUIDOR y no está autorizado a cambiar o modificar los términos de esta Garantía limitada. Además, el vendedor minorista no podrá obligar a El DISTRIBUIDOR ni hacer declaraciones o promesas respecto al Producto, que puedan comprometer a El DISTRIBUIDOR.



Preguntas, problemas o necesita ayuda?

Llame a nuestro departamento de servicio al cliente al
1-866-839-2888, 8 am. – 5 pm., HDE, Lunes a Viernes.