

## Caeli Pull-Down Multi-Flow Kitchen Faucet with optional Escutcheon




### PRODUCT SPECIFICATIONS

**NOT APPROVED FOR COMMERCIAL USE**

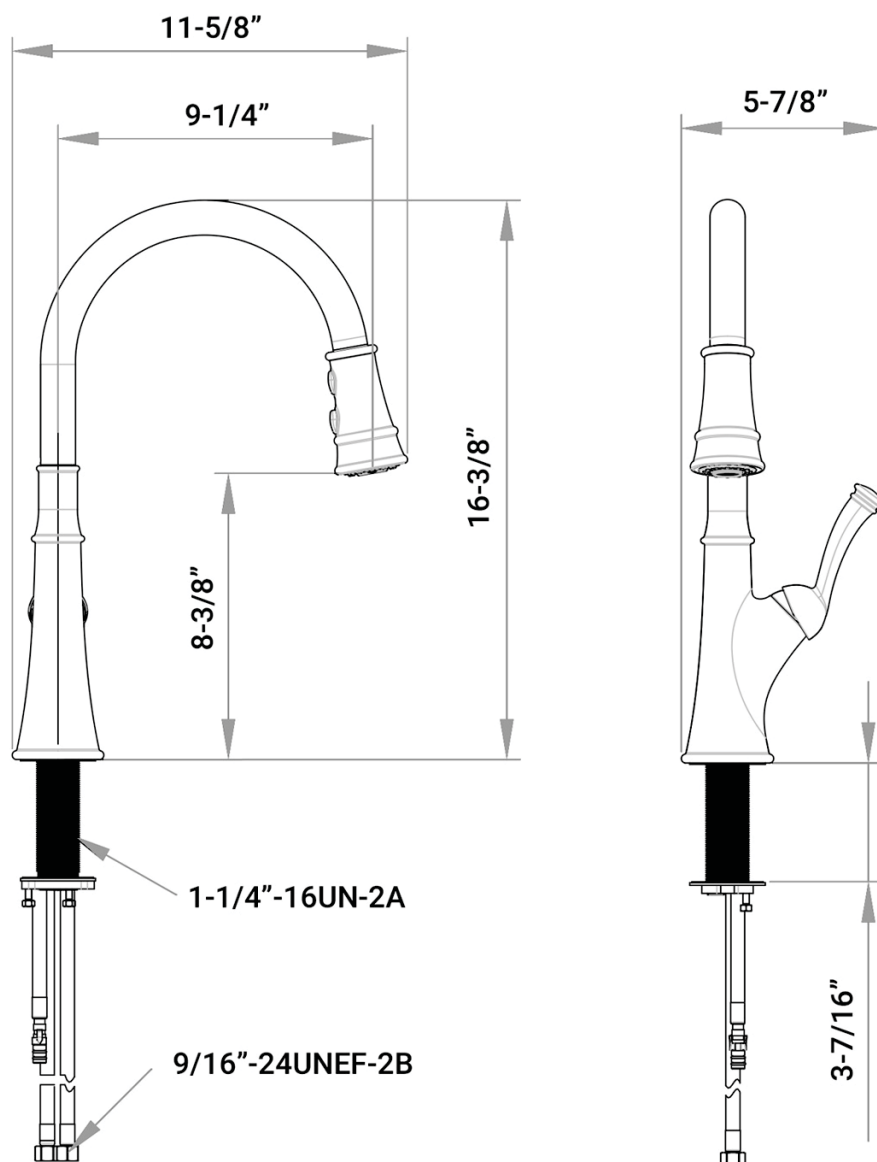
**Height:** 16-3/8"  
**Flow Rate:** 1.8GPM  
**Width:** 5-7/8"  
**Spout Reach:** 9-1/4"  
**Spout Height:** 8-3/8"  
**Max Deck Thickness:** 3-7/16"  
 (2-5/8" w/escutcheon)  
**Warranty:** Limited lifetime  
**Faucet holes:** 1 (3 w/escutcheon)

**Material:** Brass  
**Valve Type:** Ceramic Disc  
**Codes and Standards:**  
 NSF 61-9  
 ASME A112.18.1 M/A 112.18.1  
 NSF/ANSI 372  
 ADA  
**Massachusetts APPS #:** P1-0416-453

### AVAILABLE FINISHES

-  CHROME (-CP)
-  STAINLESS STEEL (-SS)
-  OIL RUBBED BRONZE (-ORB)

### PRODUCT DIMENSIONS



### WITH ESCUTCHEON

