

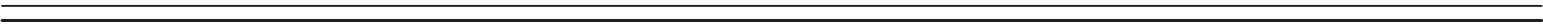
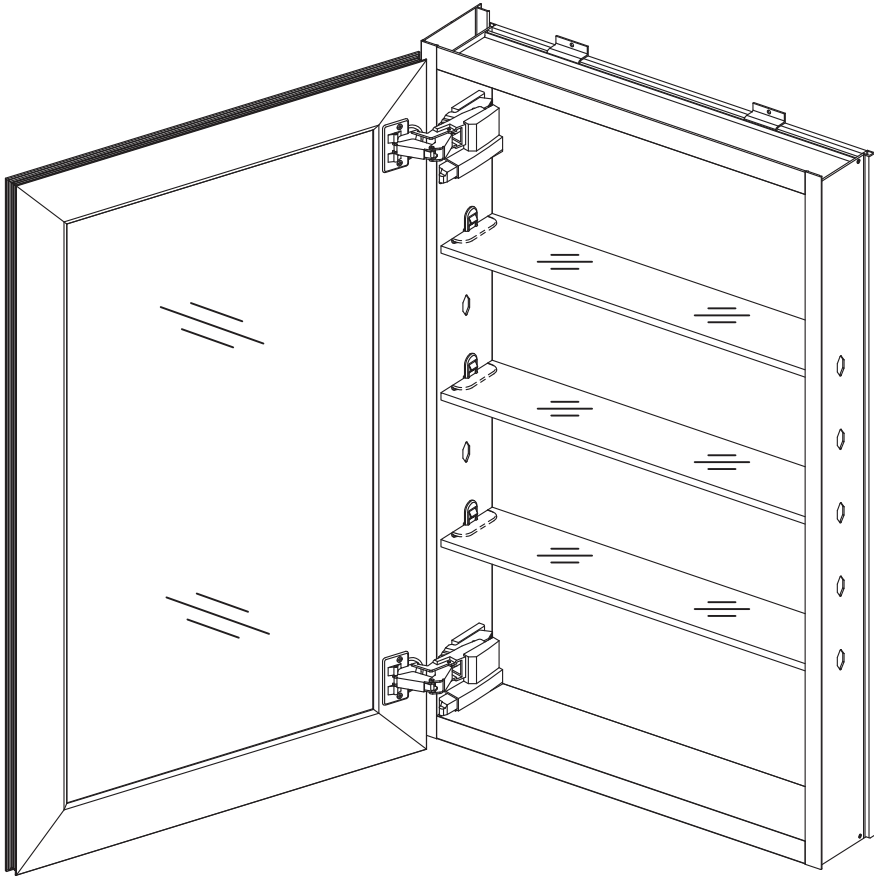
Medicine Cabinet

COPY THE MODEL NUMBER FOR YOUR RECORDS HERE #

MISENO

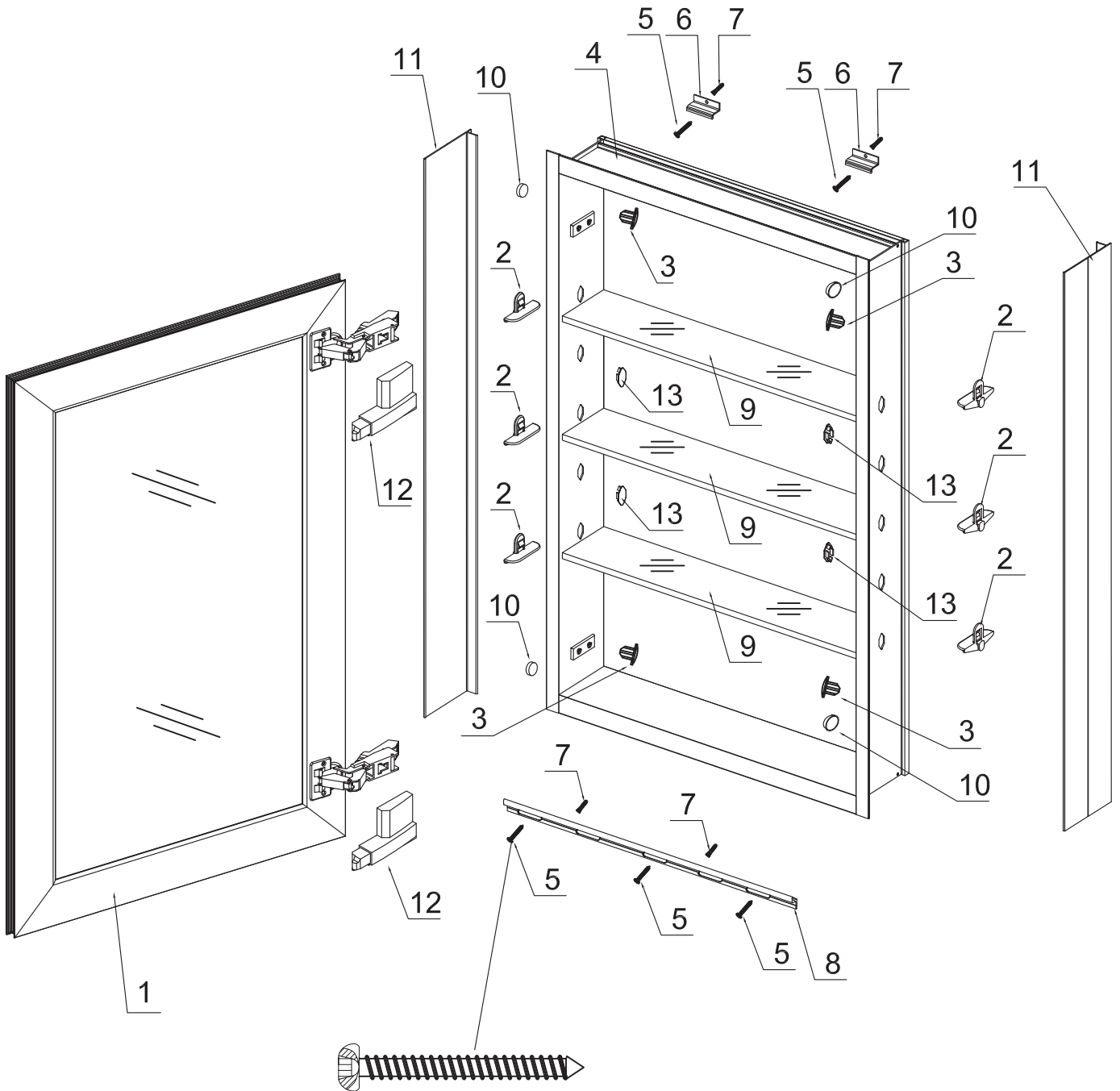
Customer Service (855) 480-2915
infoservice@miseno.com

READ THE INSTRUCTIONS CAREFULLY, familiarize yourself with all the parts as shown in the exploded view. The exploded view will also provide a helpful reference when relating to the location of the various parts and how they are mounted.



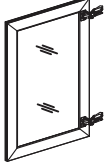
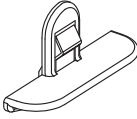

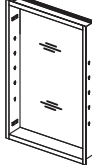



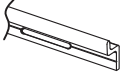
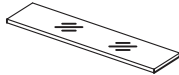


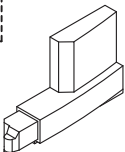
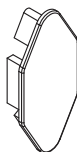
MISENO

Customer Service (855) 480-2915
infoservice@miseno.com



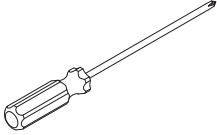
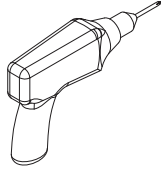
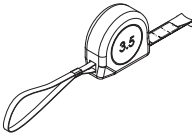
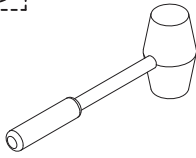

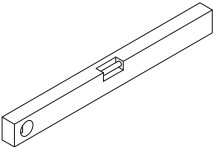
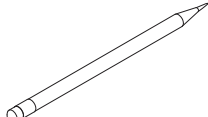

SCREW 1 1/2"

PARTS LIST.

				
DOOR (1 pcs)	CLEAR SHELF CLIP (6 pcs)	HOLE PLUG (10 pcs)	CABINET (1 pcs)	SCREW #10-1 1/2 (5 pcs)
				
TOP Z-CLIP (2 pcs)	WALL PLUG (5 pcs)	MOUNTING BRACKET (1 pcs)	GLASS SHELF (3 pcs)	SCREW HEAD COVER CAP (5 pcs)
				
COVER PLATE (2 pcs)	BUMPER (2 pcs)	DECORATIVE COVER (4 pcs)		

WARNING: Safety glasses should always be worn when working with medicine cabinet

RECOMMENDED TOOLS

				
SCREW DRIVERS	DRILL	MEASURE TAPE	RUBBER MALLET	5/16" DRILL BITS
				
LEVEL	PENCIL	SAFETY GLASSES		

Determining Measurement and Direction:

Model No.	Height	Width	Depth	Tolerance
MBC3019	29"	18 1/2"	4"	±1/8"
MBC3023	29"	22 1/2"	4"	±1/8"

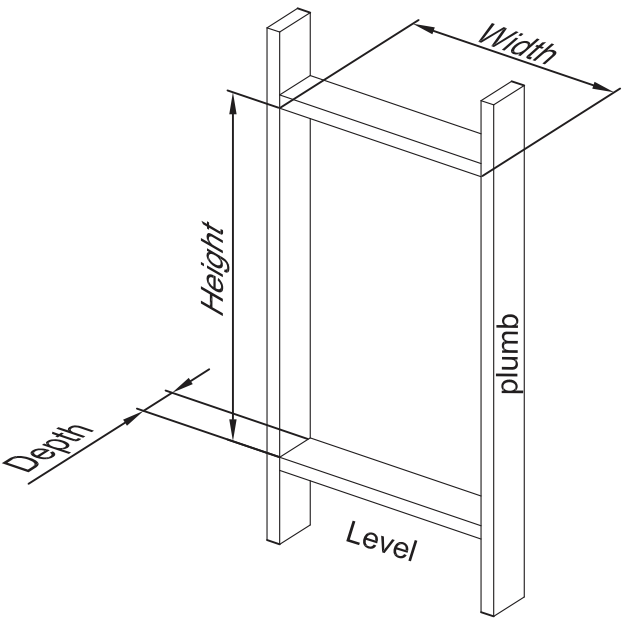
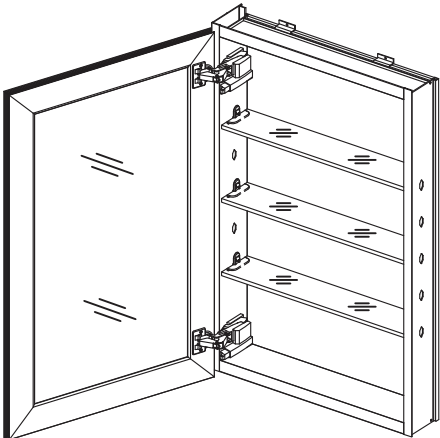


Fig 1

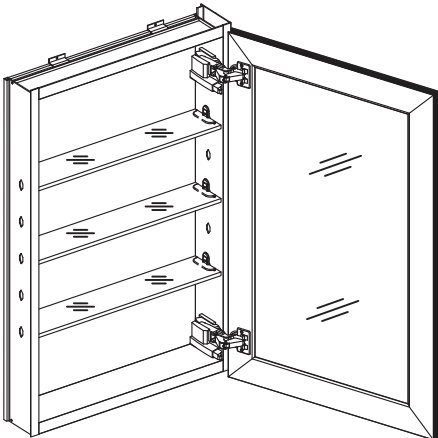


Fig 2

This medicine cabinet is reversible, and can open both left and right. Simply rotate the cabinet 180 degrees to orient the hinges in the direction you wish the door to open.

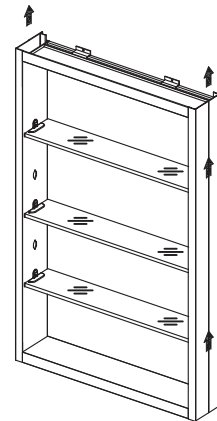


Left hand Installation



Right hand Installation

Recessed or semi-recessed



Peel off the side kits

1. Peel off the side kits from the cabinet as figure shown.

Semi-recessed

2. Make sure hinges are on correct side of opening for left hand or right hand operation. Place cabinet box into rough opening. On fully recessed applications, make sure cabinet flange covers rough opening evenly all around (Fig 3). On semi-recess applications, mirror edges should meet wall surface. (Fig 4). Shim as needed.

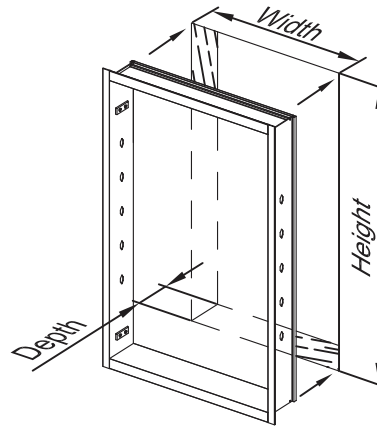


Fig 3

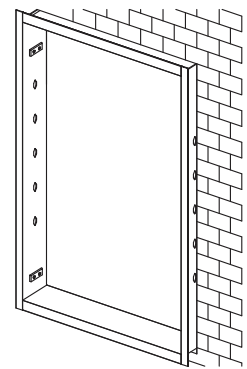


Fig 4

3. Insert four (4) #10 x 1 1/2" screws ⑤ into four locations provided for recessed installation (Fig 5). Be careful not to overtighten. Make sure cabinet is centered in rough opening. Cover screws with provided caps ⑩.

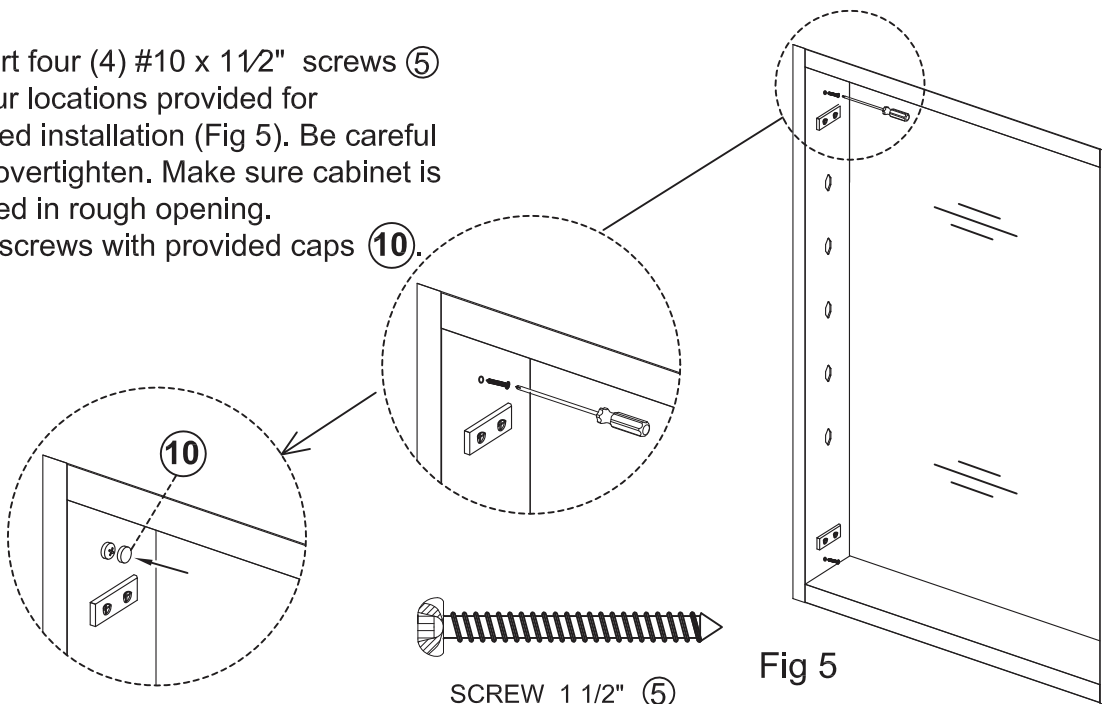


Fig 5

SCREW 1 1/2" ⑤

How to Surface Mount Cabinet

If installing in combination with a middle mirror/shelf kit, please see "Center Mirror/Shelf Kit Installation" Directions that came with your center mirror prior to performing the steps below

1. Establish precise height and draw a level horizontal line (Fig 6).

IMPORTANT: Detect medicine cabinet at precise height. Make sure there is at least 1" of clearance above any obstructions.

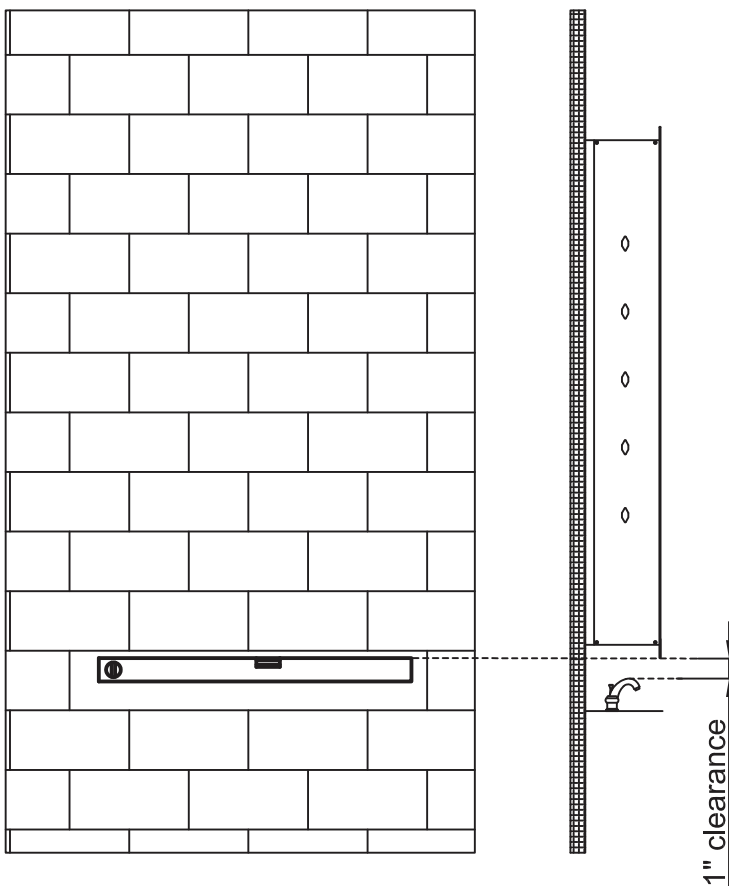


Fig 6

2. Place bottom of wall bracket on horizontal line and at correct position left to right and mark holes on wall (Fig 7).

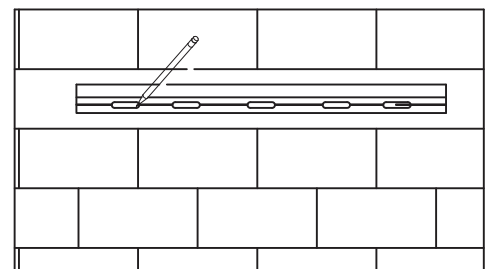


Fig 7

3. Drill 8 mm hole if required for wall anchor and place wall anchor in hole. Mount wall bracket with #10 x 1 1/2" ⑤ screws. (Fig 8)



SCREW 1 1/2" ⑤

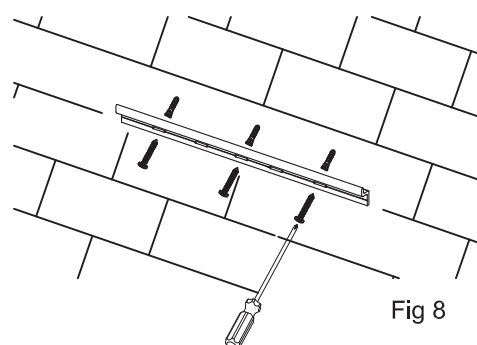


Fig 8

4. Insert surface mount z-clips ⑥ as shown (Fig 9 & 10).

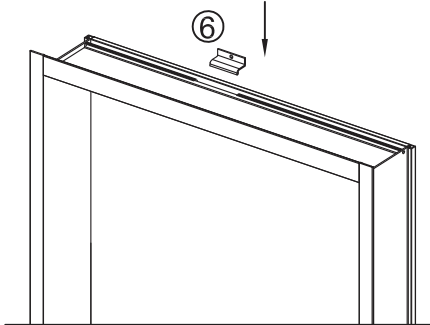


Fig 9

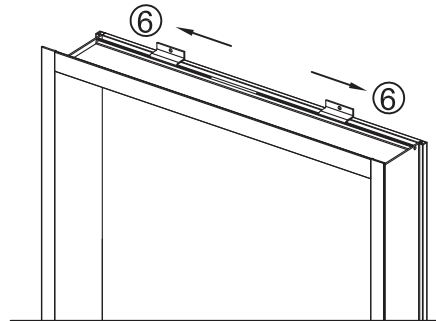


Fig 10

5. Place cabinet into wall bracket (Fig 11). Mark hole locations of z-clips (Fig 12). When determining location, it is recommended that at least one z-clip be located at a stud . Detach cabinet and drill 8mm hole if needed for anchor, and place in anchor in hole.

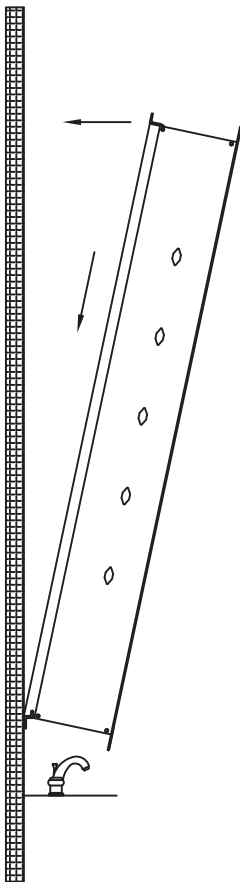


Fig 11

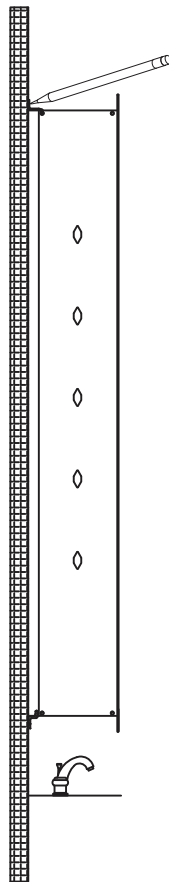
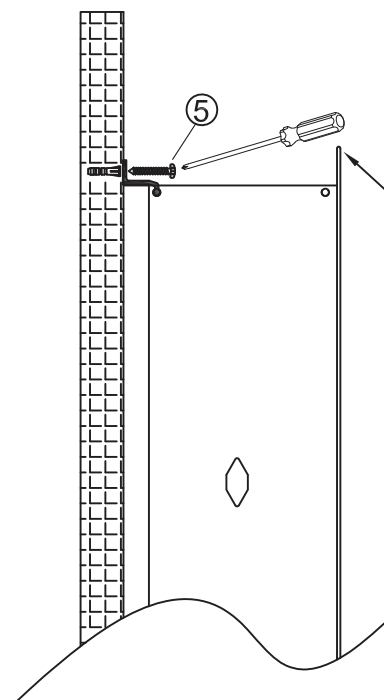


Fig 12

6 .Remount cabinet and connect with #10 x 1 1/2" ⑤ screws (Fig 13). Be careful not to damage or scrape the top flange

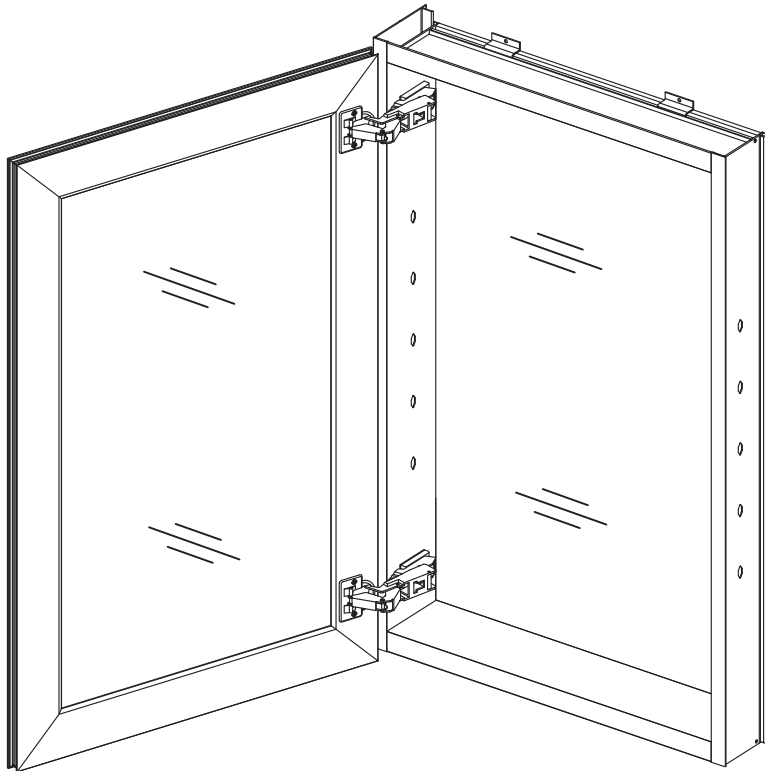


NOTE:
Be careful not to damage or scratch the top flange

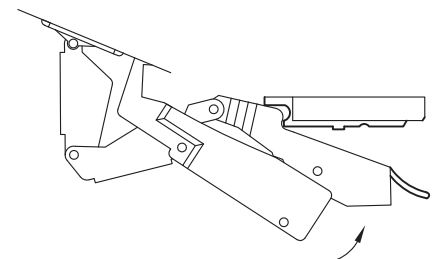
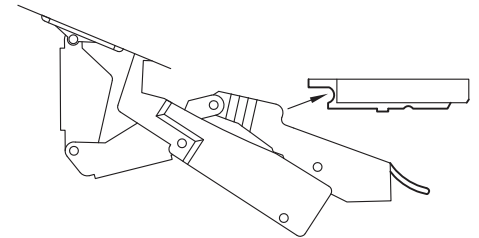
Fig 13

Door Installation

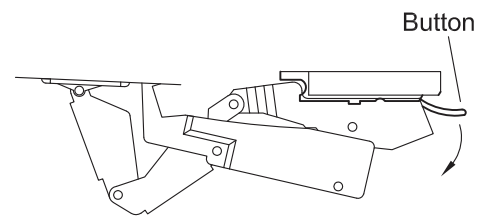
1 .Remove protective packaging from door ,be careful not to bump edges of mirror. Line hinges up against hinge mounting plates. Snap into position (Fig 14).



Mounting Plate



Snap into position



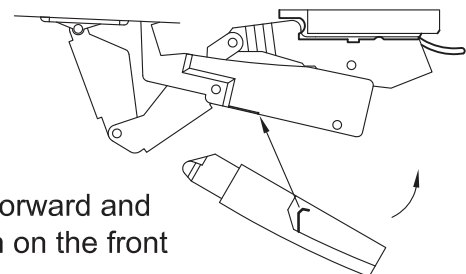
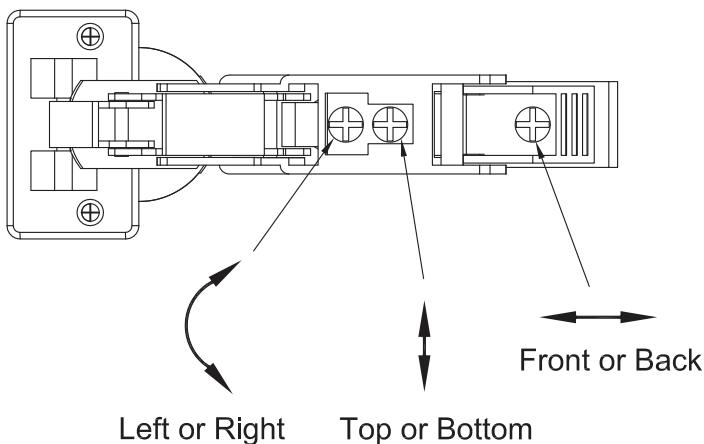
Button

Pull to release

Fig 14

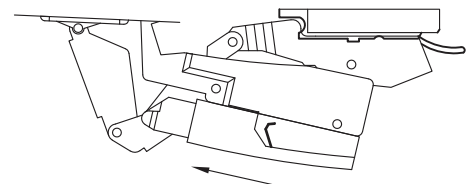
2 .Door should "snap" locked when about 1" from being fully closed. Door should be placed even in relation to cabinet. Insert bumper ⑫ (Fig 15).

Fig 15



Pull forward and down on the front

Push down on the back



Pull forward and up simultaneously

Additional Item Installation

1 .Insert clear shelf clip ② into appropriate hole location using 2 clips per shelf (Fig 16).

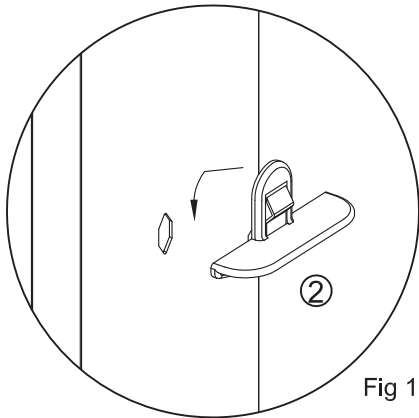
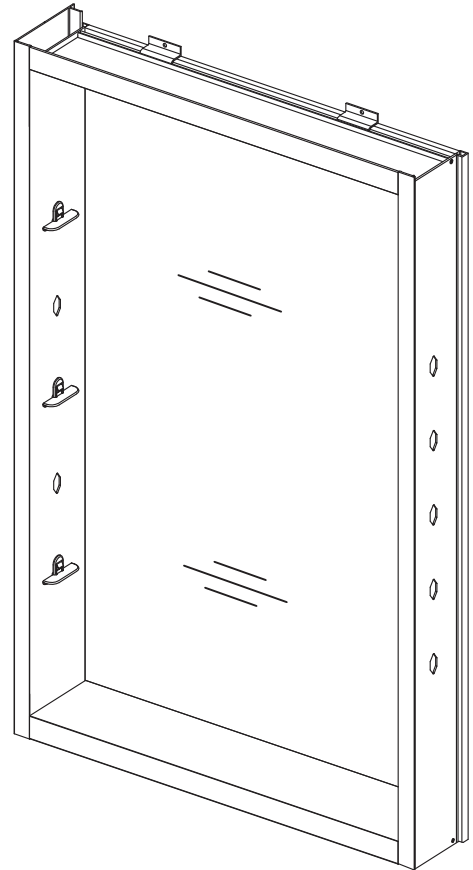
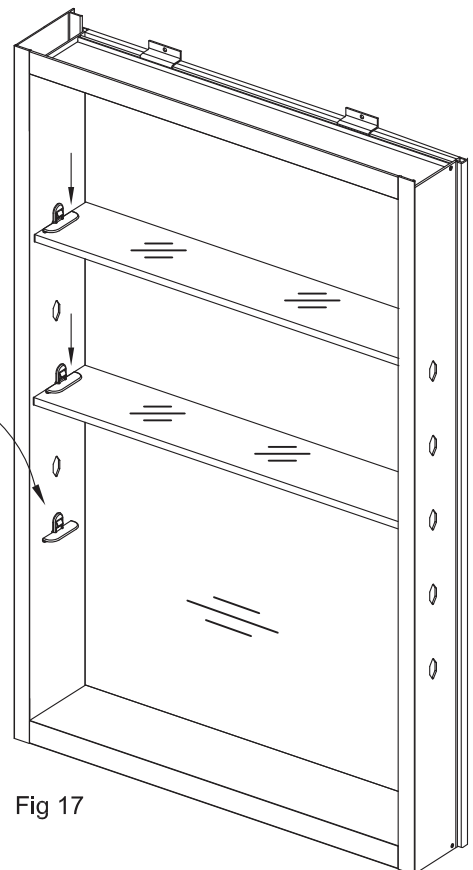
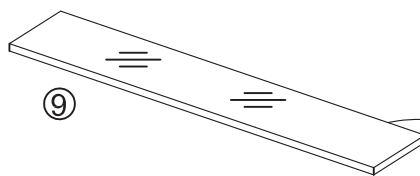


Fig 16



2 .Place glass shelf ⑨ on top of clear shelf clips making sure shelf is against back of cabinet. Press lightly to adhere the shelf clip sticker (Fig 17).



3 .Fill remaining holes with hole plugs ③ (Fig 18). Fill the rest of shelf clip holes with decorative covers ⑬ (Fig 19).

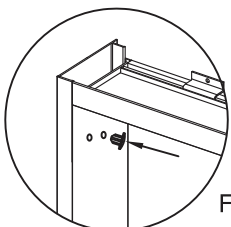


Fig 18

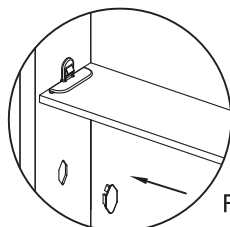
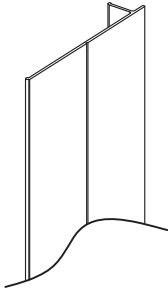


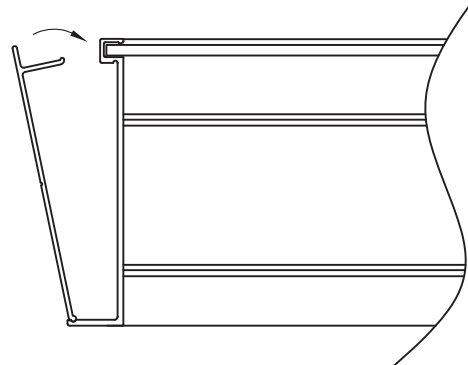
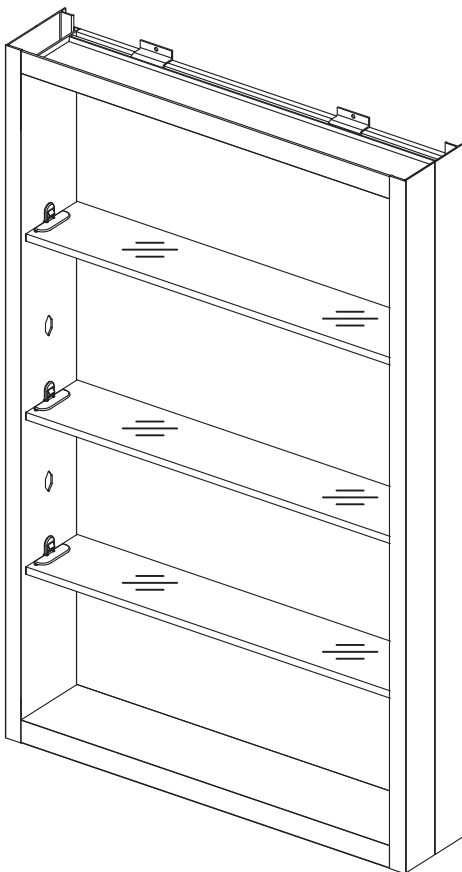
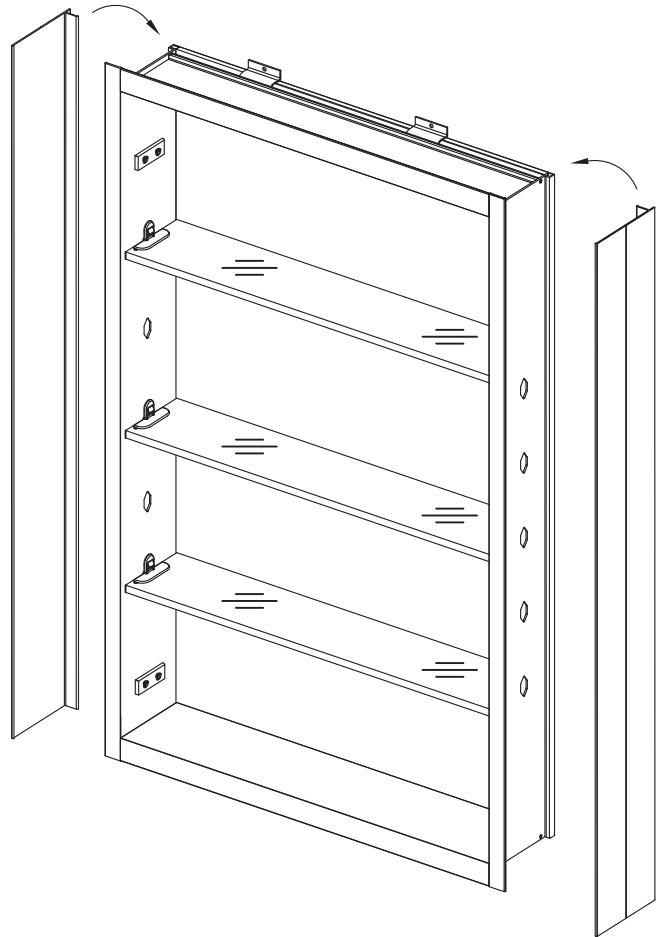
Fig 19

Fig 17

Install cover plate



COVER PLATE (2 pcs)

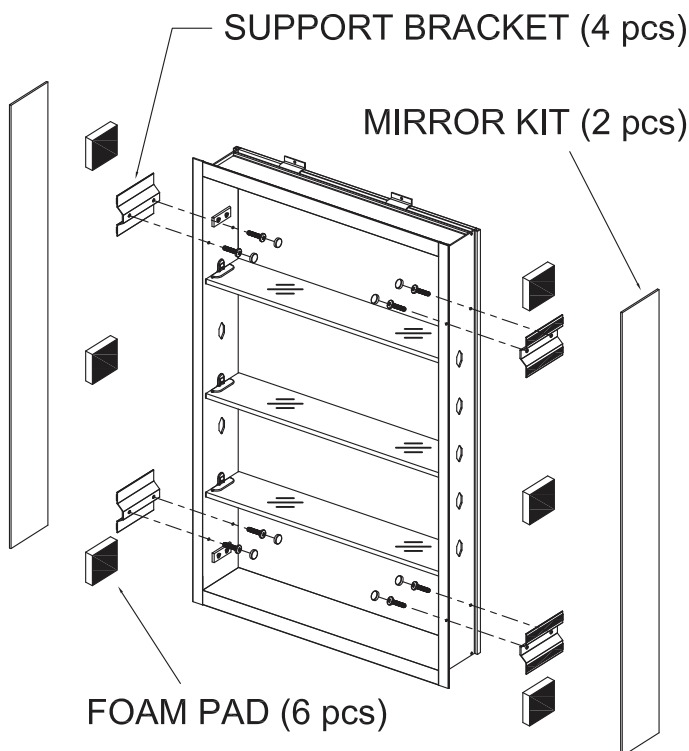


Install Mirror kits

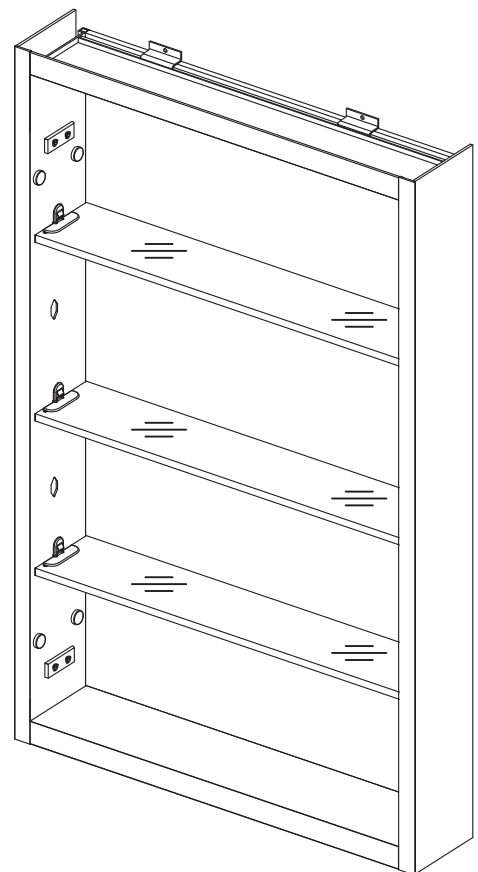
For surface mounted and semi-recessed Medicine Cabinets.

- 1) Attach the side kit brackets thru the pre-punched holes in your cabinet.
- 2) Try to use the first row from the top and bottom of your cabinet. Using the 10-32 x 1/2" screws fasten the brackets and finish with screw caps.
- 3) Attach the 2" x 2" foam pads above, below and in between the position of the brackets.
- 4) Clean the backside of the side kit mirror panel with the Alcohol pads. Check alignment before you attach the mirror to be sure it will align even with the top of the cabinet.
- 5) Peel off tape backing of the adhesive tape on the side kit brackets and foam pads. Carefully align the mirror to the cabinet evenly on all four sides. Press firmly into place and attach to the side kit mirror to the cabinet body.

(Note: Once installed, do not try to remove the mirror as it will break.)



- Install brackets
 - Install foam pads on the cabinet above, below and in between the brackets
 - Clean back side of mirror with alcohol pads
 - Peel-off Double Face Tape covering on bracket and foam pads
 - Align mirror top and bottom
 - Press firmly in place
- (Do not try to remove mirror as it will break)*



Thank you for choosing Miseno for your medicine cabinet.
If you have any questions or require any assistance please contact our customer service center in Chico, California.

Toll-Free: (855) 480-2915

Email: infoservice@miseno.com

Hours (PST): 7:00am-5:00pm M-F

Care and Cleaning

The cabinet door and interior are constructed of mirrored glass and aluminum. Use only a damp cloth to clean. Ammonia or vinegar based cleaners can damage mirrors. A solution of 50% of water and 50% of isopropyl alcohol is recommended for mirror cleaning. A very mild detergent may be used to clean the surface. When cleaning, spray the cloth, not the cabinet, mirror, or surround surfaces. Do not use abrasive cleansers on any part of the cabinet.

LIMITED ONE YEAR WARRANTY

MISENO warrants to purchaser that our Medicine Cabinets are free of defects for a period of one (1) year. This guarantee allows, at our discretion, to repair, replace, or make appropriate adjustments to our products shown to have significant defects in material or workmanship, which are reported to MISENO in writing within one (1) year from the date of DELIVERY. MISENO is not responsible for labor and other installation costs for the repair or replacement of damaged merchandise or faulty installation. Damage due to abuse, careless handling, changes to the product, color discoloration due to improper care, or accidental damage is not covered by this one (1) year warranty. Permission to return any merchandise under this warranty must be authorized by MISENO and returned prepaid by the purchaser. Claims under this warranty should be sent directly to your dealer.