

MISENO

— TAKE ME HOME —

Kitchen Faucet Model MK171



Polished Chrome: MK171-PC
Stainless Steel: MK171-SS

Features

- Ceramic disc cartridge
- Lever style handle
- Optional deck plate included
- Matching soap dispenser included
- Flow rate: 2.2 gal/min / 8.3 L/min max. @ 60 psi

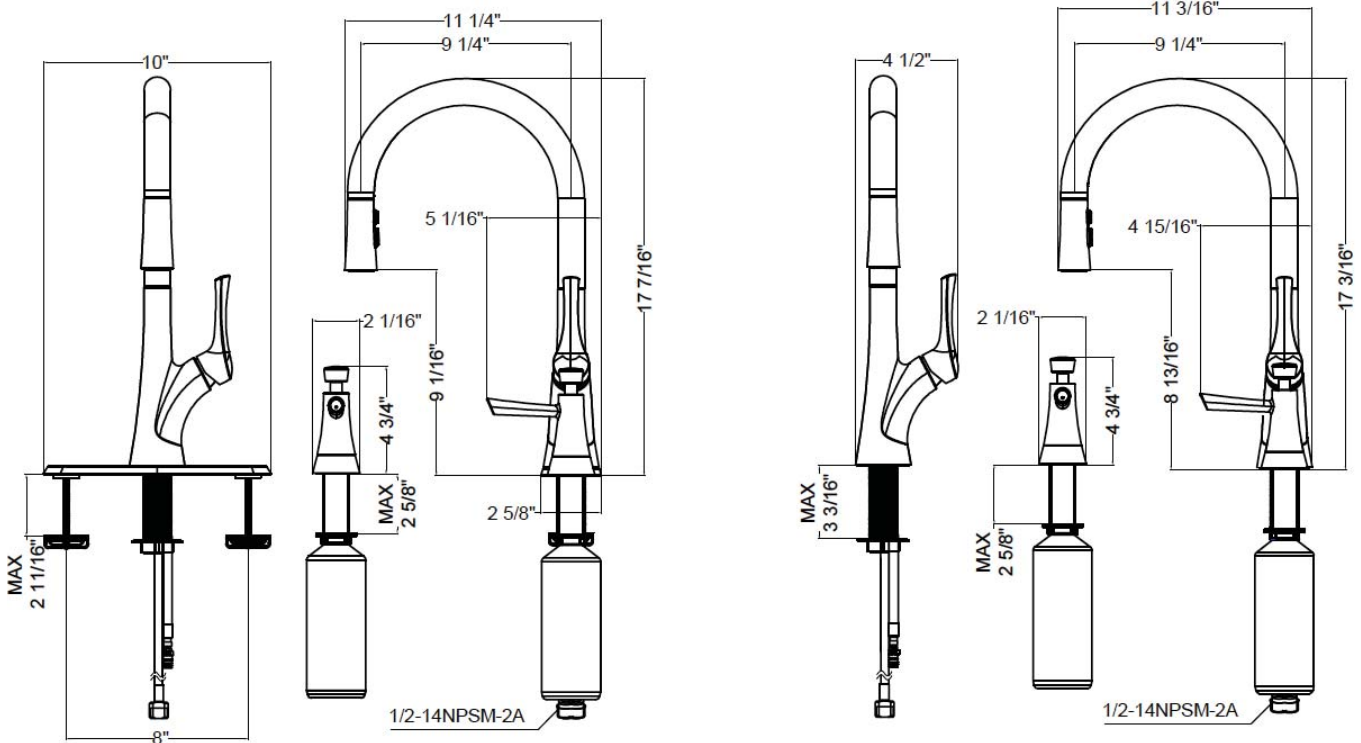
Codes and Standards

Specified model meets or exceeds:

- ASME A112.18.1 / CSA B125.1
- NSF 61 Section 9
- IAPMO / UPC listed
- AB1953 low lead
- ADA compliance to ANSI A117.1

Installation Notes

- Requires 1-1/4" min. to 1-3/4" max. hole diameter
- Mounts in 1, 2, 3 or 4 holes
- Mounts with or without deck plate
- Maximum deck thickness: 2-5/8"
- 16" supply hoses with 1/2" male NPSM connections



With Escutcheon

Without Escutcheon

Limited lifetime warranty. See complete warranty statement for details.
Misenore reserves the right to make specification changes without notice or obligation