

# MH108

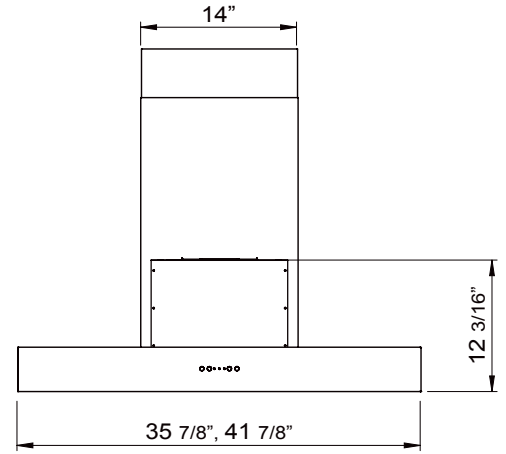
island hood

# MISENO

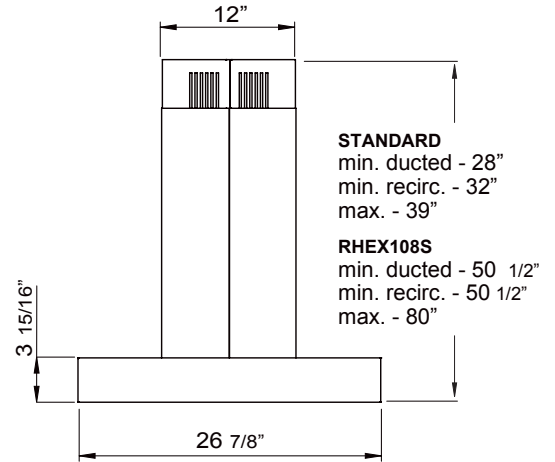


36" model shown

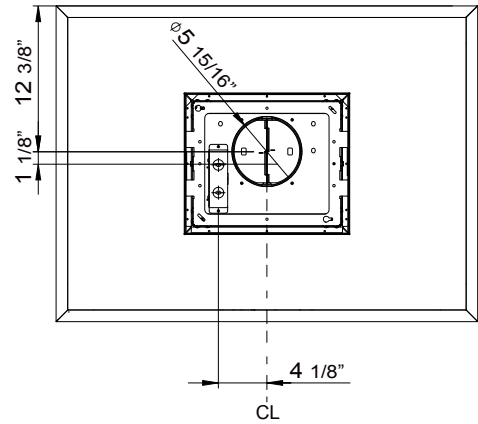
<b>MODEL</b>	MH10836BS MH10842BS
<b>SIZE</b>	36"   42"
<b>NET WIDTH</b>	35-7/8"   41-7/8"
<b>MAX. CFM</b>	600
<b>CFM SELECTOR*</b>	390, 290
<b>MAX. SONES</b>	6
<b>FEATURES</b>	
color	stainless steel
controls	3-speed, capacitive touch
delay off	yes, 5 minute
lighting	5W LED strip (2)
dual level lighting	yes
filters	baffle (2)
recirculating option	yes
extension duct cover	yes
<b>DUCT SPECIFICATIONS</b>	
vertical	6" round
horizontal	n/a
<b>ACCESSORIES</b>	
recirculating kit	RHRK108BS
extension duct cover	RHEX108S (up to 12' ceiling)
<b>AC INPUT</b>	120v, 60hz
<b>AC POWER</b>	max. 330w @ 2.75a
<b>INSTALLATION HEIGHT**</b>	24" - 34"



FRONT



SIDE



TOP

\*CFM Selector enables the installer to limit the maximum CFM to meet local codes. When enabled, the fan speeds will be reduced as follows; 390 CFM = 2 speeds, 290 CFM = 1 speed.

\*\*installation height is the distance between top of cooking surface and bottom of hood.



2018.09

vsupport@ventingservices.com | 1.888.750.1698