

### KEY FEATURES:

- Stainless Steel Construction
- Curved Glass Canopy
- Quiet Working Speed
- 50W Halogen Lamps
- Dishwasher-Safe Mesh Filter
- 3 Speed Electronic LED Controls
- Easy Installation



**MODELS** MHO0730AG  
MHO0736AG

**SIZES** 30in  
36in

**NET WIDTHS** 29-15/16in  
35-3/16in

**MAX. CFM** 750

**MAX. SONES** 6

### DUCTING

**top** 6in round  
**back** n/a  
**recirculating** yes

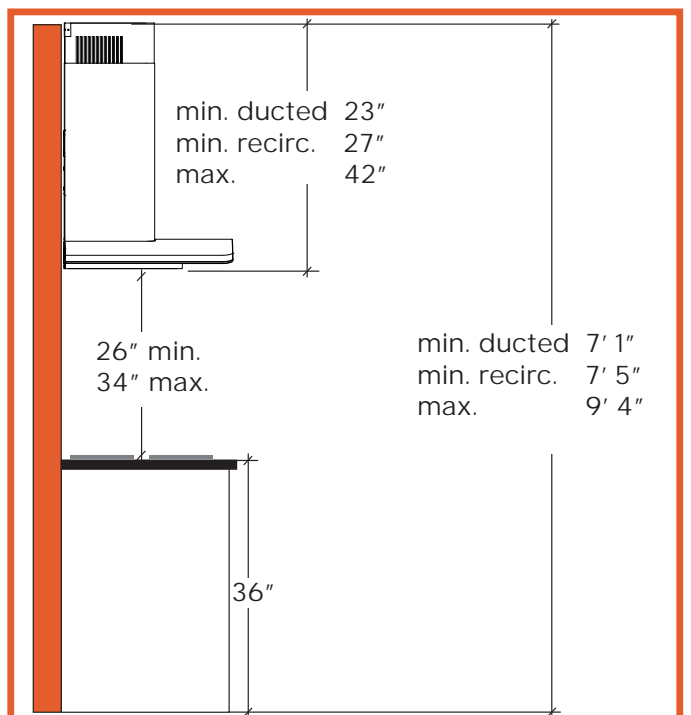
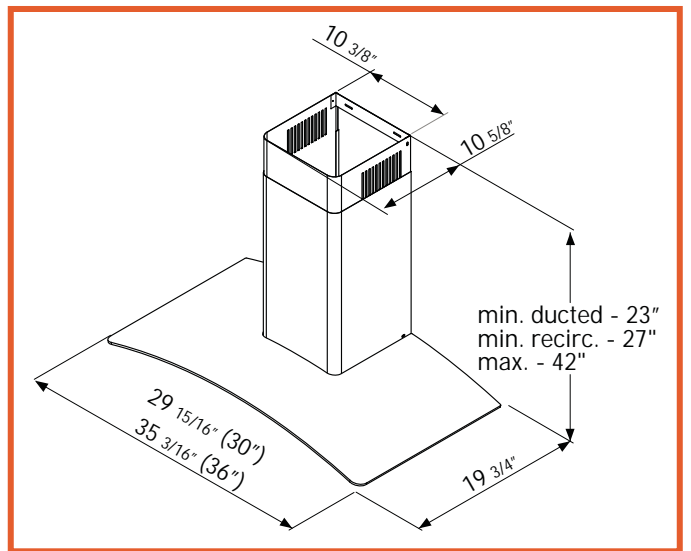
### ACCESSORIES

**recirculating** rhrk007S  
**ext. duct cover** rhex003S (up to 12' ceiling)

**AC INPUT** 120v, 60hz

**AC POWER** max. 400w @ 3.3a

**INSTALL HEIGHT\*** 26in - 34in



\*install height is the distance between top of cooking surface and bottom of hood.

Specifications subject to change without notice.